

**Robert Bosch Power Tools GmbH**  
70538 Stuttgart  
GERMANY

[www.bosch-pt.com](http://www.bosch-pt.com)

**1 609 92A 203** (2013.10) | / 30 ASIA



1 609 92A 203

## GSR Professional

6-25 TE | 6-45 TE | 6-60 TE



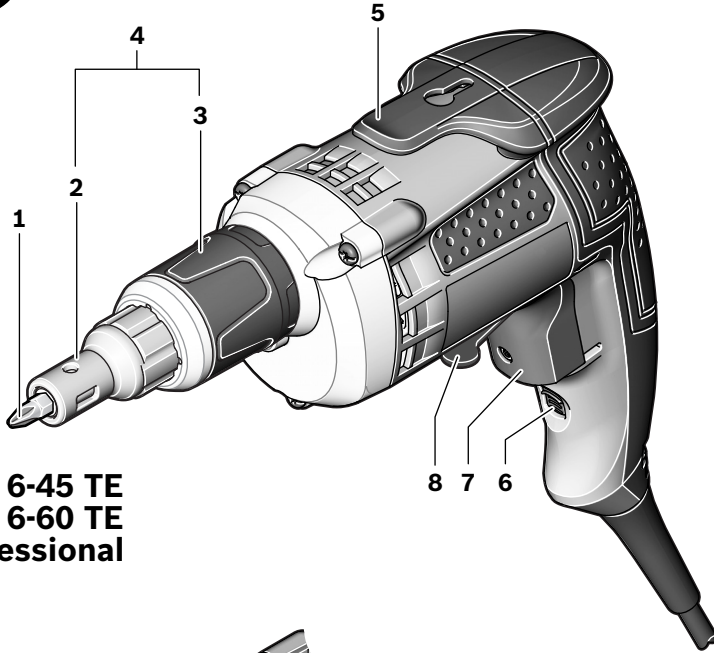
- en** Original instructions
- cn** 正本使用说明书
- tw** 原始使用說明書
- ko** 사용 설명서 원본
- th** หนังสือคู่มือการใช้งานฉบับต้นแบบ
- id** Petunjuk-Petunjuk untuk Penggunaan Orisinal
- vi** Bản gốc hướng dẫn sử dụng



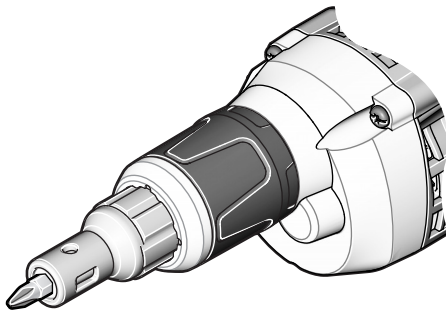


English ..... Page 5  
 中文 . . . . . 页 9  
 中文 . . . . . 頁 12  
 한국어 . . . . . 페이지 14  
 ภาษาไทย..... หน้า 18  
 Bahasa Indonesia ..... Halaman 21  
 Tiếng Việt . . . . . Trang 25

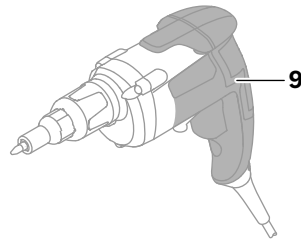


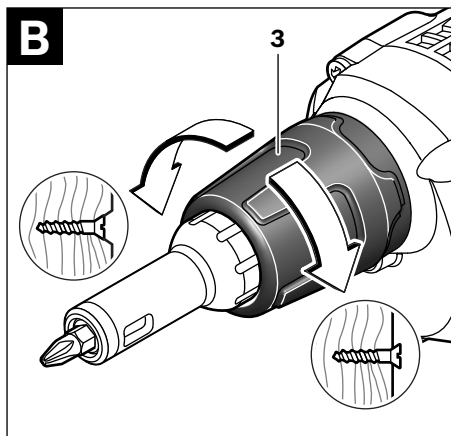
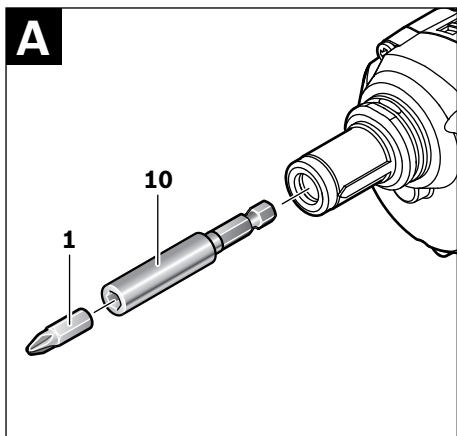


**GSR 6-45 TE**  
**GSR 6-60 TE**  
**Professional**



**GSR 6-25 TE**  
**Professional**





## English

### Safety Notes

#### General Power Tool Safety Warnings

**⚠ WARNING** Read all safety warnings and all instructions. Failure to follow the warnings and instructions may result in electric shock, fire and/or serious injury.

#### Save all warnings and instructions for future reference.

The term "power tool" in the warnings refers to your mains-operated (corded) power tool or battery-operated (cordless) power tool.

#### Work area safety

- ▶ **Keep work area clean and well lit.** Cluttered or dark areas invite accidents.
- ▶ **Do not operate power tools in explosive atmospheres, such as in the presence of flammable liquids, gases or dust.** Power tools create sparks which may ignite the dust or fumes.
- ▶ **Keep children and bystanders away while operating a power tool.** Distractions can cause you to lose control.

#### Electrical safety

- ▶ **Power tool plugs must match the outlet. Never modify the plug in any way. Do not use any adapter plugs with earthed (grounded) power tools.** Unmodified plugs and matching outlets will reduce risk of electric shock.
- ▶ **Avoid body contact with earthed or grounded surfaces, such as pipes, radiators, ranges and refrigerators.** There is an increased risk of electric shock if your body is earthed or grounded.
- ▶ **Do not expose power tools to rain or wet conditions.** Water entering a power tool will increase the risk of electric shock.
- ▶ **Do not abuse the cord. Never use the cord for carrying, pulling or unplugging the power tool. Keep cord away from heat, oil, sharp edges and moving parts.** Damaged or entangled cords increase the risk of electric shock.
- ▶ **When operating a power tool outdoors, use an extension cord suitable for outdoor use.** Use of a cord suitable for outdoor use reduces the risk of electric shock.
- ▶ **If operating a power tool in a damp location is unavoidable, use a residual current device (RCD) protected supply.** Use of an RCD reduces the risk of electric shock.
- ▶ **Never use the machine with a damaged cable. Do not touch the damaged cable and pull the mains plug when the cable is damaged while working.** Damaged cables increase the risk of an electric shock.

#### Personal safety

- ▶ **Stay alert, watch what you are doing and use common sense when operating a power tool. Do not use a power tool while you are tired or under the influence of drugs, alcohol or medication.** A moment of inattention while operating power tools may result in serious personal injury.

- ▶ **Use personal protective equipment. Always wear eye protection.** Protective equipment such as dust mask, non-skid safety shoes, hard hat, or hearing protection used for appropriate conditions will reduce personal injuries.
- ▶ **Prevent unintentional starting. Ensure the switch is in the off-position before connecting to power source and/or battery pack, picking up or carrying the tool.** Carrying power tools with your finger on the switch or energising power tools that have the switch on invites accidents.
- ▶ **Remove any adjusting key or wrench before turning the power tool on.** A wrench or a key left attached to a rotating part of the power tool may result in personal injury.
- ▶ **Do not overreach. Keep proper footing and balance at all times.** This enables better control of the power tool in unexpected situations.
- ▶ **Dress properly. Do not wear loose clothing or jewellery. Keep your hair, clothing and gloves away from moving parts.** Loose clothes, jewellery or long hair can be caught in moving parts.
- ▶ **If devices are provided for the connection of dust extraction and collection facilities, ensure these are connected and properly used.** Use of dust collection can reduce dust-related hazards.

#### Power tool use and care

- ▶ **Do not force the power tool. Use the correct power tool for your application.** The correct power tool will do the job better and safer at the rate for which it was designed.
- ▶ **Do not use the power tool if the switch does not turn it on and off.** Any power tool that cannot be controlled with the switch is dangerous and must be repaired.
- ▶ **Disconnect the plug from the power source and/or the battery pack from the power tool before making any adjustments, changing accessories, or storing power tools.** Such preventive safety measures reduce the risk of starting the power tool accidentally.
- ▶ **Store idle power tools out of the reach of children and do not allow persons unfamiliar with the power tool or these instructions to operate the power tool.** Power tools are dangerous in the hands of untrained users.
- ▶ **Maintain power tools. Check for misalignment or binding of moving parts, breakage of parts and any other condition that may affect the power tool's operation. If damaged, have the power tool repaired before use.** Many accidents are caused by poorly maintained power tools.
- ▶ **Keep cutting tools sharp and clean.** Properly maintained cutting tools with sharp cutting edges are less likely to bind and are easier to control.
- ▶ **Use the power tool, accessories and tool bits etc. in accordance with these instructions, taking into account the working conditions and the work to be performed.** Use of the power tool for operations different from those intended could result in a hazardous situation.

## 6 | English

**Service**

- ▶ **Have your power tool serviced by a qualified repair person using only identical replacement parts.** This will ensure that the safety of the power tool is maintained.

**Safety Warnings for Screwdrivers**

- ▶ **Hold power tool by insulated gripping surfaces, when performing an operation where the fastener may contact hidden wiring or its own cord.** Fasteners contacting a "live" wire may make exposed metal parts of the power tool "live" and could give the operator an electric shock.
- ▶ **Hold the machine with a firm grip.** High reaction torque can briefly occur while driving in and loosening screws.
- ▶ **Secure the workpiece.** A workpiece clamped with clamping devices or in a vice is held more secure than by hand.
- ▶ **Always wait until the machine has come to a complete stop before placing it down.** The tool insert can jam and lead to loss of control over the power tool.

**Products sold in GB only:** Your product is fitted with an BS 1363/A approved electric plug with internal fuse (ASTA approved to BS 1362).

If the plug is not suitable for your socket outlets, it should be cut off and an appropriate plug fitted in its place by an authorised customer service agent. The replacement plug should have the same fuse rating as the original plug.

The severed plug must be disposed of to avoid a possible shock hazard and should never be inserted into a mains socket elsewhere.

**Products sold in AUS and NZ only:** Use a residual current device (RCD) with a rated residual current of 30 mA or less.

**Technical Data**

Screwdriver		GSR 6-25 TE Professional	GSR 6-45 TE Professional	GSR 6-60 TE Professional
Article number		3 601 D45 0..	3 601 D45 1..	3 601 D45 2..
Rated power input	W	701	701	701
Output power	W	327	327	327
No-load speed	min <sup>-1</sup>	0 – 2500	0 – 4500	0 – 6000
Rated speed	min <sup>-1</sup>	0 – 1700	0 – 3000	0 – 4500
Tool holder		¼" hexagon socket	¼" hexagon socket	¼" hexagon socket
Max. screw dia.	mm	6	6	6
Weight according to EPTA-Procedure 01:2014	kg	1.5	1.4	1.4
Protection class		□/II	□/II	□/II

The values given are valid for a nominal voltage [U] of 230 V. For different voltages and models for specific countries, these values can vary.

**Assembly****Changing the Tool (see figure A)**

- ▶ **Before any work on the machine itself, pull the mains plug.**

Pull off the screwing-depth stop **4** toward the front. Pull out the screwdriver bit **1**. If required, the universal bit holder **10** can also be pulled off and replaced.

After changing the tool, reattach the screwing-depth stop **4**.

**Product Description and Specifications**

**Read all safety warnings and all instructions.** Failure to follow the warnings and instructions may result in electric shock, fire and/or serious injury.

While reading the operating instructions, unfold the graphics page for the machine and leave it open.

**Intended Use**

The machine is intended for driving in and loosening screws.

**Product Features**

The numbering of the product features refers to the illustration of the machine on the graphics page.

- 1 Screwdriver bit\*
- 2 Stop bushing
- 3 Adjustment sleeve for screwing-depth stop
- 4 Screwing-depth stop
- 5 Belt clip
- 6 Lock-on button for On/Off switch
- 7 On/Off switch
- 8 Rotational direction switch
- 9 Handle (insulated gripping surface)
- 10 Universal bit holder\*

\*Accessories shown or described are not part of the standard delivery scope of the product. A complete overview of accessories can be found in our accessories program.

**Operation****Starting Operation**

- ▶ **Observe correct mains voltage! The voltage of the power source must agree with the voltage specified on the nameplate of the machine. Power tools marked with 230 V can also be operated with 220 V.**

### Reversing the rotational direction

The rotational direction switch **8** is used to reverse the rotational direction of the machine. However, this is not possible with the On/Off switch **7** actuated.

**Right rotation:** For driving in screws, push the rotational direction switch **8** left to the stop.

**Left rotation:** Push the rotational direction switch **8** right to the stop (for unscrewing screws).

### Switching On and Off

To **start** the machine, press the On/Off switch **7** and keep it pressed.

To lock the **pressed** On/Off switch **7**, press the lock-on button **6**.

To **switch off** the machine, release the On/Off switch **7** or when it is locked with the lock-on button **6**, briefly press the On/Off switch **7** and then release it.

### Adjusting the Speed

The speed of the switched on power tool can be variably adjusted, depending on how far the On/Off switch **7** is pressed. Light pressure on the On/Off switch **7** results in a low rotational speed. Further pressure on the switch results in an increase in speed.

### Adjusting the Screw-in Depth (see figure B)

With the adjustment sleeve **3**, the screw-in depth of the screw head into the workpiece can be preset in 8 locking steps per full turn. Each step corresponds with a 0.25 mm change of the screw-in depth.

Turning the adjustment sleeve **3** in clockwise direction results in a greater screw-in depth; turning in anticlockwise direction reduces the screw-in depth.

The required setting is best determined by testing.

### Working Advice

- ▶ **Apply the power tool to the screw only when it is switched off.** Rotating tool inserts can slip off.

Guide the screw toward the screwdriving bit **1**. The screw is held in place by the magnet pull of the universal bit holder **10**. Firmly push the tip of the screw into the material to be screwed until the screwing-depth stop **4** faces against the workpiece.

Switch the machine on. The screw is screwed into the material until the adjusted screw-in depth is reached. The drive is disengaged and the tool holder no longer rotates. Check the screw-in depth and readjust, if required.

For unscrewing screws, set the rotational direction switch **8** to left rotation and pull off the screwing-depth stop **4** toward the front without turning the adjustment sleeve.

Working with the screwing-depth stop **4** is also possible when adapting the screw-in depth.

### Belt Clip

With the belt clip **5**, the machine can be hung onto a belt. The user has both hands free and the machine is always at hand.

## Maintenance and Service

### Maintenance and Cleaning

- ▶ **Before any work on the machine itself, pull the mains plug.**

- ▶ **For safe and proper working, always keep the machine and ventilation slots clean.**

If the replacement of the supply cord is necessary, this has to be done by Bosch or an authorized Bosch service agent in order to avoid a safety hazard.

If the machine should fail despite the care taken in manufacturing and testing procedures, repair should be carried out by an after-sales service centre for Bosch power tools.

In all correspondence and spare parts order, please always include the 10-digit article number given on the type plate of the machine.

### After-sales Service and Application Service

Our after-sales service responds to your questions concerning maintenance and repair of your product as well as spare parts. Exploded views and information on spare parts can also be found under:

**www.bosch-pt.com**

Bosch's application service team will gladly answer questions concerning our products and their accessories.

### People's Republic of China

#### China Mainland

Bosch Power Tools (China) Co., Ltd.  
567, Bin Kang Road  
Bin Jiang District 310052  
Hangzhou, P.R. China  
Service Hotline: 4008268484  
Fax: (0571) 87774502  
E-Mail: contact.ptcn@cn.bosch.com  
www.bosch-pt.com.cn

### HK and Macau Special Administrative Regions

Robert Bosch Hong Kong Co. Ltd.  
21st Floor, 625 King's Road  
North Point, Hong Kong  
Customer Service Hotline: +852 2101 0235  
Fax: +852 2590 9762  
E-Mail: info@hk.bosch.com  
www.bosch-pt.com.hk

### Indonesia

PT. Multi Mayaka  
Kawasan Industri Pulogadung  
Jalan Rawa Gelam III No. 2  
Jakarta 13930  
Indonesia  
Tel.: (021) 46832522  
Fax: (021) 46828645/6823  
E-Mail: sales@multimayaka.co.id  
www.bosch-pt.co.id

## 8 | English

**Philippines**

Robert Bosch, Inc.  
 28th Floor Fort Legend Towers,  
 3rd Avenue corner 31st Street,  
 Fort Bonifacio Global City,  
 1634 Taguig City, Philippines  
 Tel.: (02) 8703871  
 Fax: (02) 8703870  
 matheus.contiero@ph.bosch.com  
 www.bosch-pt.com.ph

Bosch Service Center:  
 9725-27 Kamagong Street  
 San Antonio Village  
 Makati City, Philippines  
 Tel.: (02) 8999091  
 Fax: (02) 8976432  
 rosalia.dagdagan@ph.bosch.com

**Malaysia**

Robert Bosch (S.E.A.) Sdn. Bhd.  
 No. 8A, Jalan 13/6  
 G.P.O. Box 10818  
 46200 Petaling Jaya  
 Selangor, Malaysia  
 Tel.: (03) 79663194  
 Fax: (03) 79583838  
 cheehoe.on@my.bosch.com  
 Toll-Free: 1800 880188  
 www.bosch-pt.com.my

**Thailand**

Robert Bosch Ltd.  
 Liberty Square Building  
 No. 287, 11 Floor  
 Silom Road, Bangrak  
 Bangkok 10500  
 Tel.: 02 6393111, 02 6393118  
 Fax: 02 2384783  
 Robert Bosch Ltd., P. O. Box 2054  
 Bangkok 10501, Thailand  
 www.bosch.co.th

Bosch Service – Training Centre  
 La Salle Tower Ground Floor Unit No.2  
 10/11 La Salle Moo 16  
 Srinakharin Road  
 Bangkaew, Bang Plee  
 Samutprakarn 10540  
 Thailand  
 Tel.: 02 7587555  
 Fax: 02 7587525

**Singapore**

Robert Bosch (SEA) Pte. Ltd.  
 11 Bishan Street 21  
 Singapore 573943  
 Tel.: 6571 2772  
 Fax: 6350 5315  
 leongheng.leow@sg.bosch.com  
 Toll-Free: 1800 3338333  
 www.bosch-pt.com.sg

**Vietnam**

Robert Bosch Vietnam Co. Ltd  
 10/F, 194 Golden Building  
 473 Dien Bien Phu Street  
 Ward 25, Binh Thanh District  
 84 Ho Chi Minh City  
 Vietnam  
 Tel.: (08) 6258 3690 ext. 413  
 Fax: (08) 6258 3692  
 hieu.lagia@vn.bosch.com  
 www.bosch-pt.com

**Australia, New Zealand and Pacific Islands**

Robert Bosch Australia Pty. Ltd.  
 Power Tools  
 Locked Bag 66  
 Clayton South VIC 3169  
 Customer Contact Center  
 Inside Australia:  
 Phone: (01300) 307044  
 Fax: (01300) 307045  
 Inside New Zealand:  
 Phone: (0800) 543353  
 Fax: (0800) 428570  
 Outside AU and NZ:  
 Phone: +61 3 95415555  
 www.bosch.com.au

**Disposal**

The machine, accessories and packaging should be sorted for environmental-friendly recycling.

Do not dispose of power tools into household waste!

**Subject to change without notice.**



## 中文

### 安全规章

#### 电动工具通用安全警告

**警告！** 阅读所有警告和所有说明！不遵照以下警告和说明会导致电击、着火和/或严重伤害。

保存所有警告和说明书以备查阅。

在所有下列的警告中术语“电动工具”指市电驱动（有线）电动工具或电池驱动（无线）电动工具。

#### 工作场地的安全

- ▶ 保持工作场地清洁和明亮。混乱和黑暗的场地会引发事故。
- ▶ 不要在易爆环境，如有易燃液体、气体或粉尘的环境下操作电动工具。电动工具产生的火花会点燃粉尘或气体。
- ▶ 让儿童和旁观者离开后操作电动工具。注意力不集中会使操作者失去对工具的控制。

#### 电气安全

- ▶ 电动工具插头必须与插座相配。绝不能以任何方式改装插头。需接地的电动工具不能使用任何转换插头。未经改装的插头和相配的插座将减少电击危险。
- ▶ 避免人体接触接地表面，如管道、散热片和冰箱。如果你身体接地会增加电击危险。
- ▶ 不得将电动工具暴露在雨中或潮湿环境中。水进入电动工具将增加电击危险。
- ▶ 不得滥用电线。绝不能用电线搬运、拉动电动工具或拔出其插头。使电线远离热源、油、锐边或运动部件。受损或缠绕的软线会增加电击危险。
- ▶ 当在户外使用电动工具时，使用适合户外使用的外接软线。适合户外使用的软线将减少电击危险。
- ▶ 如果在潮湿环境下操作电动工具是不可避免的，应使用剩余电流动作保护器（RCD）。使用 RCD 可减少电击危险。
- ▶ 勿使用电线已经损坏的电动工具。如果电源电线在工作中受损，千万不可触摸损坏的电线，并马上拔出插头。损坏的电线会提高使用者触电的危险。

#### 人身安全

- ▶ 保持警觉，当操作电动工具时关注所从事的操作并保持清醒。当你感到疲倦，或在有药物、酒精或治疗反应时，不要操作电动工具。在操作电动工具时瞬间的疏忽会导致严重人身伤害。
- ▶ 使用个人防护装置。始终佩戴护目镜。安全装置，诸如适当条件下使用防尘面具、防滑安全鞋、安全帽、听力防护等装置能减少人身伤害。

- ▶ 防止意外起动。确保开关在连接电源和/或电池盒、拿起或搬运工具时处于关断位置。手指放在已接通电源的开关上或开关处于接通时插入插头可能会导致危险。
- ▶ 在电动工具接通之前，拿掉所有调节钥匙或扳手。遗留在电动工具旋转零件上的扳手或钥匙会导致人身伤害。
- ▶ 手不要伸展得太长。时刻注意立足点和身体平衡。这样在意外情况下能很好地控制电动工具。
- ▶ 着装适当。不要穿宽松衣服或佩戴饰品。让衣服、手套和头发远离运动部件。宽松衣服、佩饰或长发可能会卷入运动部件中。
- ▶ 如果提供了与排屑、集尘设备连接用的装置，要确保他们连接完好且使用得当。使用这些装置可减少尘屑引起的危险。

#### 电动工具使用和注意事项

- ▶ 不要滥用电动工具，根据用途使用适当的电动工具。选用适当设计的电动工具会使你工作更有效、更安全。
- ▶ 如果开关不能接通或关断工具电源，则不能使用该电动工具。不能用开关来控制的电动工具是危险的且必须进行修理。
- ▶ 在进行任何调节、更换附件或贮存电动工具之前，必须从电源上拔掉插头和/或使电池盒与工具脱开。这种防护性措施将减少工具意外起动的危险。
- ▶ 将闲置不用的电动工具贮存在儿童所及范围之外，并且不要让不熟悉电动工具或对这些说明不了解的人操作电动工具。电动工具在未经培训的用户手中是危险的。
- ▶ 保养电动工具。检查运动件是否调整到位或卡住，检查零件破损情况和影响电动工具运行的其他状况。如有损坏，电动工具应在使用前修理好。许多事故由维护不良的电动工具引发。
- ▶ 保持切削刀具锋利和清洁。保养良好的有锋利切削刃的刀具不易卡住而且容易控制。
- ▶ 按照使用说明书，考虑作业条件和进行的作业来使用电动工具、附件和工具的刀头等。将电动工具用于那些与其用途不符的操作可能会导致危险。

#### 维修

- ▶ 将你的电动工具送交专业维修人员，使用同样的备件进行修理。这样将确保所维修的电动工具的安全性。

#### 针对起子机的安全规章

- ▶ 在紧固件可能触及暗线或其自身软线之处进行操作时，要通过绝缘握持面来握持工具。紧固件碰到带电导线会使工具外露的金属零件带电从而使操作者受到电击。

## 10 | 中文

- ▶ **务必握紧电动工具。** 在拧紧和放松螺丝时，可能出现短暂的强大反击。
- ▶ **固定好工件。** 使用固定装置或老虎钳固定工件，会比用手持握工件更牢固。
- ▶ **等待电动工具完全静止后才能够放下机器。** 机器上的工具可能在工作中被夹住，而令您无法控制电动工具。

## 产品和功率描述



**阅读所有的警告提示和指示。** 如未确实遵循警告提示和指示，可能导致电击，火灾并且 / 或其他的严重伤害。

翻开标示了机器详解图的折叠页。阅读操作指南时必须翻开折叠页参考。

## 按照规定使用机器

本电动工具适用于拧入和拧出螺丝。

## 插图上的机件

机件的编号和电动工具详解图上的编号一致。

- 1 螺丝批嘴\*
- 2 挡块套筒
- 3 拧深挡块的调整衬套
- 4 拧深挡块
- 5 腰带夹
- 6 起停开关的锁紧键
- 7 起停开关
- 8 正逆转开关
- 9 手柄（绝缘握柄）
- 10 通用批嘴连杆\*

\* 图表或说明上提到的附件，并不包含在基本的供货范围中。本公司的附件清单中有完整的附件供应项目。

## 技术数据

电钻起子机		GSR 6–25 TE	GSR 6–45 TE	GSR 6–60 TE
		Professional	Professional	Professional
物品代码		3 601 D45 0..	3 601 D45 1..	3 601 D45 2..
额定输入功率	瓦	701	701	701
输出功率	瓦	327	327	327
无负载转速	次 / 分	0 – 2500	0 – 4500	0 – 6000
	次 / 分	0 – 1700	0 – 3000	0 – 4500
额定转速	分	0 – 1700	0 – 3000	0 – 4500
工具夹头		¼" 内六角	¼" 内六角	¼" 内六角
最大螺丝直径	毫米	6	6	6
重量符合 EPTA-Procedure 01:2014	公斤	1.5	1.4	1.4
绝缘等级		□/II	□/II	□/II

本说明书提供的参数是以 230 V 为依据，于低电压地区，此数据有可能不同。

## 安装

### 更换工具（参考插图 A）

- ▶ **维修电动工具或换装零、配件之前，务必从插座上拔出插头。**

向前拉出拧深挡块 4。拆下螺丝批嘴 1。必要时也可以拆除并更换通用批嘴连杆 10。

更换工具之后，再度装回拧深挡块 4。

## 操作

### 操作机器

- ▶ **注意电源的电压！电源的电压必须和电动工具铭牌上标示的电压一致。**

### 改变转向

使用正逆转开关 8 可以改变机器的转向。如果按住了起停开关 7，则无法改变转向。

**正转：**适用于拧入螺丝，把正逆转开关 8 向左推到底。

**逆转：**适用于拧松螺丝时，把正逆转开关 8 向右推到底。

## 开动 / 关闭

**操作电动工具**时先按下电动工具的起停开关 7，并持续按着。

按下锁紧键 6 即可**锁定**被按住的起停开关 7。

放开起停开关 7 即可**关闭**电动工具。如果起停开关被锁紧键 6 固定了，先按下起停开关 7 并随即将其放开。

## 调整转速

你可以无级式调整转速，把起停开关 7 按得越紧，转速就越快。

轻按起停开关 7 机器以低转速运转。逐渐在开关上加压，转速也会跟着提高。

## 调整拧入深度 (参考插图 B)

使用调整衬套 3 可以设定螺丝头在工件上的拧入深度，根据旋转的圈数，可以 8 个不同的深度级。每变换一个深度级拧入深度便改变 0.25 毫米。

顺着时针的转向拧转调整衬套 3 能够加大拧入深度。逆着时针的转向拧转调整衬套会缩小拧入深度。

最佳的设定方式必须透过实际经验求得。

## 有关操作方式的指点

▶ **确定电动工具已经关闭了，才可以把电动工具顶在螺丝头上。** 转动中的起子头容易从螺丝头上滑开。

把螺丝放在螺丝批嘴 1 上。通用批嘴连杆 10 带有磁性能够吸住螺丝。用力地把螺丝尖端顶在工件上，至拧深挡块 4 靠在工件上为止。

开动电动工具。工具会把螺丝拧入工件中，在到达设定好的拧入深度之后，工具上的传动力中断，工具夹头会停止转动。此时您可以检查拧深，必要时得适度修改拧深。

拧松螺丝时必须把正逆转开关 8 设定在逆转的功能上。向前拉出拧深挡块 4，此时并不需拧转调整衬套。

如果事先已经调整好拧深的话，也可以使用安装了拧深挡块 4 的起子机拧松螺丝。

## 腰带夹

使用腰带夹 5 可以把电动工具挂在腰带上。不但能够空出双手而且电动工具也随手可即。

## 维修和服务

### 维修和清洁

- ▶ **维修电动工具或换装零、配件之前，务必从插座上拔出插头。**
- ▶ **电动工具和通风间隙都必须保持清洁，这样才能够提高工作品质和安全性。**

如果必须更换连接线，务必把这项工作交给博世或者经授权的博世电动工具顾客服务执行，以避免危害机器的安全性能。

本公司生产的电动工具都经过严密的品质检验，如果机器仍然发生故障，请将机器交给博世电动工具公司授权的顾客服务处修理。

询问和订购备件时，务必提供机器铭牌上标示的 10 位数物品代码。

## 顾客服务处和顾客咨询中心

本公司顾客服务处负责回答有关本公司产品的修理、维护和备件的问题。以下的网页中有爆炸图和备件的资料：

[www.bosch-pt.com](http://www.bosch-pt.com)

博世顾客咨询团队非常乐意为您解答有关本公司产品及附件的问题。

有关保证，维修或更换零件事宜，请向合格的经销商查询。

### 中国大陆

博世电动工具（中国）有限公司

中国 浙江省 杭州市

滨江区滨康路 567 号

邮政编码：310052

免费服务热线：4008268484

传真：(0571) 87774502

电邮：[contact.ptcn@cn.bosch.com](mailto:contact.ptcn@cn.bosch.com)

[www.bosch-pt.com.cn](http://www.bosch-pt.com.cn)

罗伯特·博世有限公司

香港北角英皇道 625 号 21 楼

客户服务热线：+852 2101 0235

传真：+852 2590 9762

电邮：[info@hk.bosch.com](mailto:info@hk.bosch.com)

网站：[www.bosch-pt.com.hk](http://www.bosch-pt.com.hk)

### 制造商地址：

Robert Bosch Power Tools GmbH

罗伯特·博世电动工具有限公司

70538 Stuttgart / GERMANY

70538 斯图加特 / 德国

## 处理废弃物

必须以符合环保的方式，回收再利用损坏的机器、部件和废弃的包装材料。

不可以把电动工具丢入家庭垃圾中！

保留修改权。

## 中文

### 安全規章

#### 電動工具通用安全警告

**警告** 閱讀所有警告和所有說明。不遵照以下警告和說明會導致電擊、著火和/或嚴重傷害。

保存所有警告和說明書以備查閱。

在所有下列的警告中術語“電動工具”指市電驅動（有線）電動工具或電池驅動（無線）電動工具。

#### 工作場地的安全

- ▶ 保持工作場地清潔和明亮。混亂和黑暗的場地會引發事故。
- ▶ 不要在易爆環境，如有易燃液體、氣體或粉塵的環境下操作電動工具。電動工具產生的火花會點燃粉塵或氣體。
- ▶ 讓兒童和旁觀者離開後操作電動工具。注意力不集中會使你失去對工具的控制。

#### 電氣安全

- ▶ 電動工具插頭必須與插座相配。絕不能以任何方式改裝插頭。需接地的電動工具不能使用任何轉換插頭。未經改裝的插頭和相配的插座將減少電擊危險。
- ▶ 避免人體接觸接地表面，如管道、散熱片和冰箱。如果你身體接地會增加電擊危險。
- ▶ 不得將電動工具暴露在雨中或潮濕環境中。水進入電動工具將增加電擊危險。
- ▶ 不得濫用電線。絕不能用電線搬運、拉動電動工具或拔出其插頭。使電線遠離熱源、油、銳邊或運動部件。受損或纏繞的軟線會增加電擊危險。
- ▶ 當在戶外使用電動工具時，使用適合戶外使用的外接軟線。適合戶外使用的軟線，將減少電擊危險。
- ▶ 如果在潮濕環境下操作電動工具是不可避免的，應使用剩餘電流動作保護器（RCD）。使用 RCD 可減少電擊危險。
- ▶ 勿使用電線已經損壞的電動工具。如果電源電線在工作中受損，千萬不可觸摸損壞的電線，並馬上拔出插頭。損壞的電線會提高使用者觸電的危險。

#### 人身安全

- ▶ 保持警覺，當操作電動工具時關注所從事的操作並保持清醒。當你感到疲倦，或在有藥物、酒精或治療反應時，不要操作電動工具。在操作電動工具時瞬間的疏忽會導致嚴重人身傷害。
- ▶ 使用個人防護裝置。始終佩戴護目鏡。安全裝置，諸如適當條件下使用防塵面具、防滑安全鞋、安全帽、聽力防護等裝置能減少人身傷害。

- ▶ 防止意外起動。確保開關在連接電源和/或電池盒、拿起或搬運工具時處於關斷位置。手指放在已接通電源的開關上或開關處於接通時插入插頭可能會導致危險。
- ▶ 在電動工具接通之前，拿掉所有調節鑰匙或扳手。遺留在電動工具旋轉零件上的扳手或鑰匙會導致人身傷害。
- ▶ 手不要伸展得太長。時刻注意立足點和身體平衡。這樣在意外情況下能很好地控制電動工具。
- ▶ 著裝適當。不要穿寬鬆衣服或佩戴飾品。讓你的衣服、手套和頭髮遠離運動部件。寬鬆衣服、飾物或長髮可能會捲入運動部件中。
- ▶ 如果提供了與排屑、集塵設備連接用的裝置，要確保他們連接完好且使用得當。使用這些裝置可減少塵屑引起的危險。

#### 電動工具使用和注意事項

- ▶ 不要濫用電動工具，根據用途使用適當的電動工具。選用適當設計的電動工具會使你工作更有效、更安全。
- ▶ 如果開關不能接通或關斷工具電源，則不能使用該電動工具。不能用開關來控制的電動工具是危險的且必須進行修理。
- ▶ 在進行任何調節、更換附件或貯存電動工具之前，必須從電源上拔掉插頭和/或使電池盒與工具脫開。這種防護性措施將減少工具意外起動的危險。
- ▶ 將閒置不用的電動工具貯存在兒童所及範圍之外，並且不要讓不熟悉電動工具或對這些說明不瞭解的人操作電動工具。電動工具在未經培訓的用戶手中是危險的。
- ▶ 保養電動工具。檢查運動件是否調整到位或卡住，檢查零件破損情況和影響電動工具運行的其他狀況。如有損壞，電動工具應在使用前修理好。許多事故由維護不良的電動工具引發。
- ▶ 保持切削刀具鋒利和清潔。保養良好的有鋒利切削刃的刀具不易卡住而且容易控制。
- ▶ 按照使用說明書，考慮作業條件和進行的作業來使用電動工具、附件和工具的刀頭等。將電動工具用於那些與其用途不符的操作可能會導致危險。

#### 檢修

- ▶ 將你的電動工具送交專業維修人員，必須使用同樣的備件進行更換。這樣將確保所維修的電動工具的安全性。

#### 針對起子機的安全規章

- ▶ 工作時如果電動工具可能割斷隱藏的電線或電動工具本身的電源線，一定要握住絕緣手柄操作機器。電動工具如果接觸了帶電的線路，電動工具上的金屬部件會導電，可能造成操作者觸電。

- ▶ **務必握緊電動工具。** 在擰緊和放鬆螺絲時，可能出現短暫的強大反擊。
- ▶ **固定好工件。** 使用固定裝置或老虎鉗固定工件，會比用手持握工件更牢固。
- ▶ **等待電動工具完全靜止後才能夠放下機器。** 機器上的工具可能在工作中被夾住，而令您無法控制電動工具。

## 產品和功率描述



**閱讀所有的警告提示和指示。** 如未確實遵循警告提示和指示，可能導致電擊、火災並且 / 或其他的嚴重傷害。

翻開標示了機器詳解圖的折疊頁。閱讀操作指南時必須翻開折疊頁參考。

## 按照規定使用機器

本電動工具適用於擰入和擰出螺絲。

## 插圖上的機件

機件的編號和電動工具詳解圖上的編號一致。

- 1 螺絲批嘴\*
- 2 擋塊套筒
- 3 擰深擋塊的調整襯套
- 4 擰深擋塊
- 5 腰帶夾
- 6 起停開關的鎖緊鍵
- 7 起停開關
- 8 正逆轉開關
- 9 手柄（絕緣握柄）
- 10 通用批嘴連桿\*

\*圖表或說明上提到的附件，並不包含在基本的供貨範圍中。本公司的附件清單中有完整的附件供應項目。

## 技術性數據

電鑽起子機		GSR 6–25 TE	GSR 6–45 TE	GSR 6–60 TE
		Professional	Professional	Professional
物品代碼		3 601 D45 0..	3 601 D45 1..	3 601 D45 2..
額定輸入功率	瓦	701	701	701
輸出功率	瓦	327	327	327
無負載轉速	次 / 分	0 – 2500	0 – 4500	0 – 6000
	次 / 分	0 – 1700	0 – 3000	0 – 4500
額定轉速	分	0 – 1700	0 – 3000	0 – 4500
工具夾頭		¼" 內六角	¼" 內六角	¼" 內六角
最大螺絲直徑	毫米	6	6	6
重量符合 EPTA-Procedure 01:2014	公斤	1.5	1.4	1.4
絕緣等級		□/II	□/II	□/II

本說明書提供的參數是以 230 伏特為依據，於低電壓地區，此數據有可能不同。

## 安裝

### 更換工具（參考插圖 A）

- ▶ **維修電動工具或換裝零、配件之前，務必從插座上拔出插頭。**

向前拉出擰深擋塊 4。拆下螺絲批嘴 1 必要時也可以拆除並更換通用批嘴連桿 10。

更換工具之後，再度裝回擰深擋塊 4。

## 操作

### 操作機器

- ▶ **注意電源的電壓！** 電源的電壓必須和電動工具銘牌上標示的電壓一致。

### 改變轉向

使用正逆轉開關 8 可以改變機器的轉向。如果按住了起停開關 7，則無法改變轉向。

**正轉：**適用於擰入螺絲，把正逆轉開關 8 向左推到底。

**逆轉：**適用於擰松螺絲時，把正逆轉開關 8 向右推到底。

## 14 | 한국어

### 開動 / 關閉

**操作電動工具**時先按下電動工具的起停開關 7，並持續按著。

按下鎖緊鍵 6 即可**鎖定**被按住的起停開關 7。

放開起停開關 7 即可**關閉**電動工具。如果起停開關被鎖緊鍵 6 固定了，先按下起停開關 7 並隨即將其放開。

### 調整轉速

你可以無級式調整轉速，把起停開關 7 按得越緊，轉速就越快。

輕按起停開關 7 機器以低轉速運轉。逐漸在開關上加壓，轉速也會跟著提高。

### 調整擰入深度 (參考插圖 B)

使用調整襯套 3 可以設定螺絲頭在工件上的擰入深度。根據旋轉的圈數，可以設定 8 個不同的深度級。每變換一個深度級擰入深度便改變 0.25 毫米。

順著時針的轉向擰轉調整襯套 3 能夠加大擰入深度。逆著時針的轉向擰轉調整襯套會縮小擰入深度。

最佳的設定方式必須透過實際經驗求得。

### 有關操作方式的指點

▶ **確定電動工具已經關閉了，才可以把電動工具頂在螺絲頭上。** 轉動中的起子頭容易從螺絲頭上滑開。

把螺絲放在螺絲批嘴 1 上。通用批嘴連桿 10 帶有磁性能夠吸住螺絲。用力地把螺絲尖端頂在工件上，至擰深擋塊 4 靠在工件上為止。

開動電動工具。工具會把螺絲擰入工件中，在到達設定好的擰入深度之後，工具上的傳動力中斷，工具夾頭會停止轉動。此時您可以檢查擰深，必要時得適度修改擰深。

擰松螺絲時必須把正逆轉開關 8 設定在逆轉的功能上。向前拉出擰深擋塊 4，此時並不需擰轉調整襯套。

如果事先已經調整好擰深的話，也可以使用安裝了擰深擋塊 4 的起子機擰松螺絲。

### 腰帶夾

使用腰帶夾 5 可以把電動工具掛在腰帶上。不但能夠空出雙手而且電動工具也隨手可即。

## 維修和服務

### 維修和清潔

- ▶ **維修電動工具或換裝零、配件之前，務必從插座上拔出插頭。**
- ▶ **電動工具和通風間隙都必須保持清潔，這樣才能夠提高工作品質和安全性。**

如果必須更換連接線，務必把這項工作交給博世或者經授權的博世電動工具顧客服務執行，以避免危害機器的安全性能。

本公司生產的電動工具都經過嚴密的品質檢驗，如果機器仍然發生故障，請將機器交給博世電動工具公司授權的顧客服務處修理。

詢問和訂購備件時，務必提供機器銘牌上標示的 10 位數物品代碼。

### 顧客服務處和顧客諮詢中心

本公司顧客服務處負責回答有關本公司產品的修理、維護和備件的問題。以下的網頁中有爆炸圖和備件的資料：

[www.bosch-pt.com](http://www.bosch-pt.com)

博世顧客諮詢團隊非常樂意為您解答有關本公司產品及附件的問題。

### 台灣

台灣羅伯特博世股份有限公司

建國北路一段 90 號 6 樓

台北市 10491

電話：(02) 2515 5388

傳真：(02) 2516 1176

[www.bosch-pt.com.tw](http://www.bosch-pt.com.tw)

### 制造商地址：

Robert Bosch Power Tools GmbH

羅伯特·博世電動工具有限公司

70538 Stuttgart / GERMANY

70538 斯圖加特 / 德國

### 處理廢棄物

必須以符合環保的方式，回收再利用損壞的機器、附件和廢棄的包裝材料。

不可以把電動工具丟入家庭垃圾中。

### 保留修改權。

## 한국어

### 안전 수칙

#### 전동공구용 일반 안전수칙

**⚠ 경고** 모든 안전수칙과 지시 사항을 상세히 읽고 지켜야 합니다. 다음의 안전수칙과 지시 사항을 준수하지 않으면 화재 위험이 있으며 감전 혹은 중상을 입을 수 있습니다.

앞으로의 참고를 위해 이 안전수칙과 사용 설명서를 잘 보관하십시오.

다음에서 사용되는 “전동공구” 라는 개념은 전원에 연결하여 사용하는 전동 기기 (전선이 있는) 나 배터리를 사용하는 전동 기기 (전선이 없는) 를 의미합니다.

#### 작업장 안전

- ▶ **작업장을 항상 깨끗이 하고 조명을 밝게 하십시오.** 작업장 환경이 어수선하거나 어두우면 사고를 초래할 수 있습니다.
- ▶ **가연성 유체, 가스 또는 분진이 있어 폭발 위험이 있는 환경에서 전동공구를 사용하지 마십시오.** 전동공구는 분진이나 증기에 점화하는 스파크를 일으킬 수 있습니다.
- ▶ **전동공구를 사용할 때 구경꾼이나 어린이 혹은 다른 사람이 작업장에 접근하지 못하게 하십시오.** 다른 사람이 주의를 산만하게 하면 기기에 대한 통제를 잃기 쉽습니다.

#### 전기에 관한 안전

- ▶ **전동공구의 전원 플러그가 전원 콘센트에 잘 맞아야 합니다.** 플러그를 조금이라도 변경시켜서는 안됩니다. 접지된 전동공구를 사용할 때 어댑터 플러그를 사용하지 마십시오. 변형되지 않은 플러그와 잘 맞는 콘센트를 사용하면 감전의 위험을 감소할 수 있습니다.
- ▶ **파이프 관, 라디에이터, 레인지, 냉장고와 같은 접지 표면에 물이 닿지 않도록 하십시오.** 물에 닿을 경우 감전될 위험이 높습니다.
- ▶ **전동공구를 비에 맞지 않게 하고 습기 있는 곳에 두지 마십시오.** 전동공구에 물이 들어가면 감전될 위험이 높습니다.
- ▶ **전원 코드를 잡고 전동공구를 운반하거나 걸어 놓아서는 안되며, 콘센트에서 전원 플러그를 뽑을 때 전원 코드를 잡아 당겨서는 절대로 안됩니다.** 전원 코드가 열과 오일에 접촉하는 것을 피하고, 날카로운 모서리나 기기의 가동 부위에 닿지 않도록 주의하십시오. 손상되거나 영긴 전원 코드는 감전을 유발할 수 있습니다.
- ▶ **실외에서 전동공구로 작업할 때는 실외용으로 적당한 연장 전원 코드만을 사용하십시오.** 실외용 연장 전원 코드를 사용하면 감전의 위험을 줄일 수 있습니다.
- ▶ **전동공구를 습기 찬 곳에서 사용해야 할 경우에는 누전 차단기를 사용하십시오.** 누전 차단기를 사용하면 감전 위험을 줄일 수 있습니다.
- ▶ **절대로 전원 코드가 손상된 전동공구를 사용하지 마십시오.** 작업하다가 전원 코드가 손상된 경우 손상된 코드를 만지지 말고 바로 플러그를 빼십시오. 손상된 전원 코드는 감전을 일으킬 위험이 높습니다.

#### 사용자 안전

- ▶ **신중하게 작업하십시오.** 작업을 할 때 주의를 하며, 전동공구를 사용할 때 경솔하게 행동하지 마십시오. 피로한 상태이거나 약물 복용 및 음주한 후에는 전동공구를 사용하지 마십시오. 전동공구를 사용할 때

잠시라도 주의를 산만해지면 중상을 입을 수 있습니다.

- ▶ **작업자 안전을 위한 장치를 사용하십시오. 항상 보호 안경을 착용하십시오.** 전동공구의 종류와 사용에 따라 먼지 보호 마스크, 미끄러지지 않는 안전한 신발, 안전모 또는 귀마개 등의 안전한 복장을 하면 상해의 위험을 줄일 수 있습니다.
- ▶ **실수로 기기가 작동되지 않도록 주의하십시오.** 전동공구를 전원에 연결하거나 배터리를 끼우기 전에, 혹은 기기를 들거나 운반하기 전에, 전원 스위치가 꺼져 있는지 다시 확인하십시오. 전동공구를 운반할 때 전원 스위치에 손가락을 대거나 전원 스위치가 켜진 상태에서 전원을 연결하면 사고 위험이 높습니다.
- ▶ **전동공구를 사용하기 전에 조절하는 톨이나 나사 키등을 빼 놓으십시오.** 회전하는 부위에 있는 톨이나 나사 키로 인해 상처를 입을 수 있습니다.
- ▶ **자신을 과신하지 마십시오.** 불안정한 자세를 피하고 항상 평형을 이룬 상태로 작업하십시오. 안정된 자세와 평형한 상태로 작업해야만이 의외의 상황에서 전동공구를 안전하게 사용할 수 있습니다.
- ▶ **알맞은 작업복을 입으십시오.** 헐렁한 복장을 하거나 장신구를 착용하지 마십시오. 머리카락이나 옷 또는 장갑이 가동하는 기기 부위에 가까이 닿지 않도록 주의하십시오. 헐렁한 복장, 장신구 혹은 긴 머리는 가동 부위에 말려 사고를 초래할 수 있습니다.
- ▶ **분진 추출장치나 수거장치의 조립이 가능한 경우, 이 장치가 연결되어 있는지, 제대로 작동이 되는지 확인하십시오.** 이러한 분진 추출장치를 사용하면 분진으로 인한 사고 위험을 줄일 수 있습니다.

#### 전동공구의 올바른 사용과 취급

- ▶ **기기를 과부하 상태에서 사용하지 마십시오.** 작업할 때 이에 적당한 전동공구를 사용하십시오. 알맞은 전동공구를 사용하면 지정된 성능 한도 내에서 더욱 효율적으로 안전하게 작업할 수 있습니다.
- ▶ **전원 스위치가 고장 난 전동공구를 사용하지 마십시오.** 전원 스위치가 작동되지 않는 전동공구는 위험하므로, 반드시 수리를 해야 합니다.
- ▶ **기기에 세팅을 하거나 액세서리 부품을 교환하거나 혹은 기기를 보관할 때, 항상 전원 콘센트에서 플러그를 미리 빼 놓으십시오.** 이러한 조치는 실수로 전동공구가 작동하게 되는 것을 예방합니다.
- ▶ **사용하지 않는 전동공구는 어린이 손이 닿지 않는 곳에 보관하고, 전동공구 사용에 익숙지 않거나 이 사용 설명서를 읽지 않은 사람은 기기를 사용해서는 안됩니다.** 경험이 없는 사람이 전동공구를 사용하면 위험합니다.
- ▶ **전동공구를 조심스럽게 관리하십시오.** 가동 부위가 하자 없이 정상적인 기능을 하는지, 걸리는 부위가 있는지, 혹은 전동공구의 기능에 중요한 부품이 손상되지 않았는지 확인하십시오. 손상된 기기의 부품은 전동공구를 다시 사용하기 전에 반드시 수리를 맡기십시오. 제대로 관리하지 않은 전동공구의 경우 많은 사고를 유발합니다.

16 | 한국어

- ▶ 절단 공구를 날카롭고 깨끗하게 관리하십시오. 날카로운 절단면이 있고 잘 관리된 절단공구는 걸리는 경우가 드물고 조절하기도 쉽습니다.
- ▶ 전동공구, 액세서리, 장착하는 공구 등을 사용할 때, 이 지시 사항과 특별히 기종 별로 나와있는 사용 방법을 준수하십시오. 이때 작업 조건과 실시하려는 작업 내용을 고려하십시오. 원래 사용 분야가 아닌 다른 작업에 전동공구를 사용할 경우 위험한 상황을 초래할 수 있습니다.

서비스

- ▶ 전동공구 수리는 반드시 전문 인력에게 맡기고, 수리 정비 시 보수 순정 부품만을 사용하십시오. 그렇게 함으로써 기기의 안전성을 오래 유지할 수 있습니다.

스크류 드라이버용 안전 수칙

- ▶ 작업할 때 나사못으로 보이지 않는 전선이나 기체 자체의 코드에 닿을 위험이 있으면 전동공구의 절연된 손잡이 면을 잡으십시오. 나사못이 전류가 흐르는 전선에 접하게 되면 기기의 금속 부위에 전기가 통해 감전될 위험이 있습니다.
- ▶ 전동공구를 꼭 잡으십시오. 나사못을 조이거나 풀 때 일시적으로 강한 반동력이 생길 수 있습니다.
- ▶ 작업물을 잘 고정하십시오. 고정장치나 기계 바이스에 끼워서 작업하면 손으로 잡는 것보다 더 안전합니다.
- ▶ 전동공구를 내려놓기 전에 기기가 완전히 멈추었는지를 확인하십시오. 벨트가 걸려 전동공구에 대한 통제가 어려워질 수 있습니다.

제품 및 성능 소개



모든 안전수칙과 지시 사항을 상세히 읽고 지켜야 합니다. 다음의 안전수칙과 지시 사항을 준수하지 않으면 화재 위험이 있으며 감전 혹은 중상을 입을 수 있습니다.

사용 설명서를 읽는 동안 기기의 그림이 나와 있는 접힌 면을 펴 놓고 참고하십시오.

규정에 따른 사용

본 전동공구는 나사못을 조이거나 푸는 작업을 하는데 사용해야 합니다.

제품의 주요 명칭

제품의 주요 명칭에 표기되어 있는 번호는 기기 그림이 나와있는 면을 참고하십시오.

- 1 스크류 드라이버 비트\*
- 2 고정소켓
- 3 드라이버 드릴 깊이 조절 슬리브
- 4 드라이버 드릴 깊이 조절장치
- 5 벨트 고정클립
- 6 전원 스위치 잠금 버튼
- 7 전원 스위치
- 8 회전방향 선택 스위치
- 9 손잡이 (절연된 손잡이 부위)
- 10 유니버설 비트 홀더\*

\*도면이나 설명서에 나와있는 액세서리는 표준 공급부품에 속하지 않습니다. 전체 액세서리는 저희 액세서리 프로그램을 참고하십시오.

제품 사양

드라이버 모델		GSR 6-25 TE Professional	GSR 6-45 TE Professional	GSR 6-60 TE Professional
제품 번호		3 601 D45 0..	3 601 D45 1..	3 601 D45 2..
소비 전력	W	701	701	701
출력	W	327	327	327
무부하 속도	rpm	0 - 2500	0 - 4500	0 - 6000
정격 속도	rpm	0 - 1700	0 - 3000	0 - 4500
툴 홀더		6,35 mm 육각 소켓	6,35 mm 육각 소켓	6,35 mm 육각 소켓
나사못 직경, 최대	mm	6	6	6
EPTA 규정 01:2014 에 따른 중량	kg	1.5	1.4	1.4
안전 등급		□/II	□/II	□/II

자료는 정격 전압 [U] 230 V 를 기준으로 한 것입니다. 전압이 낮거나 각국의 특수한 모델에 따라 달라질 수 있습니다.

조립

액세서리의 교환 (그림 A 참조)

- ▶ 전동공구를 보수 정비하기 전에 반드시 콘센트에서 전원 플러그를 빼십시오.

드라이버 드릴 깊이 조절장치 4를 앞쪽으로 당기십시오. 스크류 드라이버 비트 1을 뽑아 내십시오. 사용 목적에 따라 유니버설 비트 홀더 10을 뽑아내고 바꿀 수 있습니다.



공구의 교환 후에 다시 드라이버 드릴 깊이 조절장치 4를 조절하십시오.

## 작동

### 기계 시동

▶ **공공 배전 전압에 주의! 공급되는 전원의 전압은 전동공구의 명판에 표기된 전압과 동일해야 합니다.**

### 회전방향 설정하기

회전방향 선택 스위치 8로 기기의 회전 방향을 선택할 수 있습니다. 그러나 전원 스위치 7이 눌러진 상태에서는 작동이 불가능합니다.

**정회전:** 나사못을 조이려면 회전방향 선택 스위치 8을 왼쪽으로 끝까지 밀니다.

**역회전:** 나사못이 풀려 나오게 하려면 회전방향 선택 스위치 8을 오른쪽 끝까지 누르십시오.

### 전원 스위치 작동

전동공구를 작동하려면 전원 스위치 7을 누르고 누른 상태를 유지하십시오.

전원 스위치 7을 누른 상태로 유지하려면, 잠금 버튼 6을 누르십시오.

전동공구의 스위치를 끄려면 전원 스위치 7을 놓거나 잠금버튼 6으로 고정된 경우 전원 스위치 7을 살짝 눌렀다가 다시 놓습니다.

### 속도 조절

작동하고 있는 전동공구의 속도를 연속적으로 조절할 수 있는데, 전원 스위치 7을 어느 정도 세게 누르는가에 달려 있습니다.

전원 스위치 7을 살짝 누르면 저속으로 작동합니다. 세게 누르면 속도가 빨라집니다.

### 스크류 깊이 조절 (그림 B 참조)

드릴의 깊이는 드라이버 드릴 깊이 조절 슬라이브 3으로 8 단계의 깊이를 미리 선택할 수 있습니다. 조절 슬라이브의 각 단계에 따라 드라이버 드릴 깊이가 약 0.25mm 씩 바뀌게 됩니다.

드라이버 드릴 조절 슬라이브 3을 시계 방향으로 돌리면 드릴 깊이가 깊어지고, 반시계 방향으로 돌리면 드릴 깊이가 낮아집니다.

필요한 깊이 설정은 실제 시험 작업을 통해 결정하는 것이 좋습니다.

### 사용방법

▶ **전동공구의 스위치가 꺼진 상태에서만 나사못에 대십시오.** 회전하는 드릴 비트가 미끄러질 수 있습니다.

나사못을 스크류 드라이버 비트 1에 부착하십시오. 나사못은 유니버설 비트 홀더 10의 자석에 의해 부착됩니다. 드릴 깊이 조절장치 4가 곧바로 설 때까지, 나사못의 끝을 재료에 힘껏 누르십시오.

전동공구의 전원 스위치를 누르십시오. 나사못은 선택된 드릴 깊이에 도달할 때 까지, 재료에 들어가게 됩니다. 작동이 멈추게 됩니다; 이 전동공구는 더 이상 회전하지 않습니다. 드릴 깊이를 확인하시고 필요한 경우 깊이를 조절하십시오.

나사못을 풀기 위해서는 회전방향 선택 스위치 8를 역회전이 되도록 놓으십시오. 그리고 드릴 깊이 조절장치 4를 드릴 깊이 조절 슬라이브를 돌리지 말고 앞으로 당기십시오.

만약 드릴 깊이가 일치할 때, 이미 장착된 드릴 깊이 조절장치 4를 사용하여 작업할 수 있습니다.

### 벨트 고정클립

벨트 고정클립 5로 이 전동공구를 벨트에 매달아 놓을 수 있습니다. 그러면 두 손을 자유로이 사용할 수 있으며 어느 때나 이 전동공구를 사용할 수 있습니다.

## 보수 정비 및 서비스

### 보수 정비 및 유지

▶ **전동공구를 보수 정비하기 전에 반드시 콘센트에서 전원 플러그를 빼십시오.**

▶ **안전하고 올바른 작동을 위하여 전동공구와 전동공구의 통풍구를 항상 깨끗이 하십시오.**

연결 코드를 교환해야 할 경우 안전을 기하기 위해 보쉬사나 보쉬 지정 전동공구 서비스 센터에 맡겨야 합니다.

세심한 제작과 검사에도 불구하고 전동공구가 불량한 경우가 있다면 보쉬 고객 지원본부나 가까운 보쉬 지정 전동공구 서비스 센터에 수리를 의뢰하십시오.

문의 사항이 있거나 스페어 부품을 주문할 때 반드시 전동공구의 타입 표시판에 적힌 10 자리의 제품 번호를 알려 주십시오.

### 보쉬 AS 및 고객 상담

보쉬는 귀하의 제품 및 수리에 관한 문의를 받고 있습니다.

AS 센터 정보 및 제품에 대한 고객 상담은 하기 고객 콜센터 및 이메일 상담을 이용해주시기 바랍니다.

고객 콜센터: 080-955-0909

이메일 상담:

Bosch-pt.hotline@kr.bosch.com

### 한국로버트보쉬 (주)

경기도 용인시 기흥구 보정동 298 번지

[www.bosch-pt.co.kr](http://www.bosch-pt.co.kr)

### 처리

기기와 액세서리 및 포장 등은 친환경적인 방법으로 재활용할 수 있도록 분류하십시오.

전동공구를 가정용 쓰레기로 처리하지 마십시오!

위 사항은 사전 예고 없이 변경될 수도 있습니다.

## 18 | ภาษาไทย

## ภาษาไทย

## กฎระเบียบเพื่อความปลอดภัย

## คำเตือนทั่วไปเพื่อความปลอดภัยในการใช้เครื่องมือไฟฟ้า

**⚠ คำเตือน** ต้องอ่านคำเตือนเพื่อความปลอดภัยและคำสั่งทั้งหมด การไม่ปฏิบัติตามคำเตือนและคำสั่งอาจเป็นสาเหตุให้ถูกไฟฟ้าดูด เกิดไฟไหม้ และ/หรือได้รับบาดเจ็บอย่างร้ายแรง

เก็บรักษาคำเตือนและคำสั่งทั้งหมดสำหรับเปิดอ่านในภายหลัง

คำว่า "เครื่องมือไฟฟ้า" ในคำเตือนหมายถึง เครื่องมือไฟฟ้าของท่านที่ทำงานด้วยพลังงานไฟฟ้าที่ต่อจากเต้าเสียบ (มีสายไฟฟ้า) และเครื่องมือไฟฟ้าที่ทำงานด้วยพลังงานไฟฟ้าจากแบตเตอรี่ (ไร้สาย)

## ความปลอดภัยในสถานที่ทำงาน

- ▶ รักษาสถานที่ทำงานให้สะอาดและมีไฟส่องสว่างดี สถานที่ที่มีหม้อหรือกรงูร้อนนำมาซึ่งอุบัติเหตุ
- ▶ อย่าใช้เครื่องมือไฟฟ้าในสภาพแวดล้อมที่เสี่ยงต่อการติดระเบิดได้ เช่น ในที่มีขี้ของเหลว แก๊ส หรือฝุ่นที่ติดไฟได้ เมื่อใช้เครื่องมือไฟฟ้าจะเกิดประกายไฟซึ่งอาจจุดฝุ่นหรือไอให้ลุกเป็นไฟได้
- ▶ ขณะใช้เครื่องมือไฟฟ้าทำงาน ต้องกันเด็กและผู้ยืนดูให้ออกห่าง การหันเหความสนใจอาจทำให้ท่านขาดการควบคุมเครื่องได้

## ความปลอดภัยเกี่ยวกับไฟฟ้า

- ▶ ปลั๊กของเครื่องมือไฟฟ้าต้องมีขนาดพอดีกับเต้าเสียบ อย่าดัดแปลงหรือแก้ไขตัวปลั๊กอย่างเด็ดขาด อย่าต่อปลั๊กต่อใดๆ เข้ากับเครื่องมือไฟฟ้าที่มีสายดิน ปลั๊กที่ไม่ดัดแปลงและเต้าเสียบที่เข้ากันช่วยลดความเสี่ยงจากการถูกไฟฟ้าดูด
- ▶ หลีกเลี่ยงไม่ให้ร่างกายสัมผัสกับพื้นผิวของสิ่งของที่ต้องสายดินไว้ เช่น ท่อ เครื่องทำความร้อน เตา และตู้เย็น จะเสี่ยงอันตรายจากการถูกไฟฟ้าดูดมากขึ้นหากกระแสไฟฟ้าวิ่งผ่านร่างกายของท่านลงดิน
- ▶ อย่าวางเครื่องมือไฟฟ้าคาบฝืนหรือทิ้งไว้ในที่ชื้นแฉะ หากน้ำเข้าในเครื่องมือไฟฟ้า จะเพิ่มความเสี่ยงจากการถูกไฟฟ้าดูด
- ▶ อย่าใช้สายไฟฟ้าอย่างผิดๆ อย่าถือเครื่องมือไฟฟ้าที่สาย อย่าใช้สายแวนเครื่อง หรืออย่าดึงสายไฟฟ้าเพื่อถอดปลั๊กออกจากเต้าเสียบ กันสายไฟฟ้าออกห่างจากความร้อน น้ำมัน ขอบแหลมคม หรือส่วนของเครื่องที่กำลังเคลื่อนไหว สายไฟฟ้าที่ชำรุดหรือพันกันยุ่งเพิ่มความเสี่ยงจากการถูกไฟฟ้าดูด
- ▶ เมื่อใช้เครื่องมือไฟฟ้าทำงานกลางแจ้ง ให้ใช้สายไฟต่อที่ได้รับการรับรองให้ใช้ต่อในที่กลางแจ้งเท่านั้น การใช้สายไฟต่อที่เหมาะสมสำหรับกลางแจ้งช่วยลดอันตรายจากการถูกไฟฟ้าดูด

- ▶ หากไม่สามารถหลีกเลี่ยงการใช้เครื่องมือไฟฟ้าทำงานในสถานที่เปียกชื้นได้ ให้ใช้สวิทช์ตัดวงจรเมื่อเกิดการรั่วไหลของไฟฟ้าจากสายดิน การใช้สวิทช์ตัดวงจรเมื่อเกิดการรั่วไหลของไฟฟ้าจากสายดินช่วยลดความเสี่ยงต่อการถูกไฟฟ้าดูด
- ▶ อย่าใช้เครื่องมือสายไฟฟ้าชำรุด หากสายไฟฟ้าชำรุดขณะทำงาน อย่าสัมผัสสายไฟฟ้าที่ชำรุด ให้ดึงปลั๊กไฟฟ้าหลักออกจากเต้าเสียบ สายไฟฟ้าชำรุดเพิ่มความเสี่ยงจากการถูกไฟฟ้าช็อตหรือดูด

## ความปลอดภัยของบุคคล

- ▶ ท่านต้องอยู่ในสภาพเตรียมพร้อม ระวังระมัดระวังในสิ่งที่กำลังทำอยู่ และมีสติขณะใช้เครื่องมือไฟฟ้าทำงาน อย่าใช้เครื่องมือไฟฟ้าขณะที่ท่านกำลังเหนื่อย หรืออยู่ภายใต้การครอบงำของฤทธิ์ของยาเสพติด แอลกอฮอล์ และยา เมื่อใช้เครื่องมือไฟฟ้าทำงาน ในช่วงเวลาที่ท่านขาดความเอาใจใส่อาจทำให้บุคคลบาดเจ็บอย่างรุนแรงได้
- ▶ ใช้อุปกรณ์ปกป้องร่างกาย สวมแว่นตาป้องกันเสมอ อุปกรณ์ปกป้อง เช่น หน้ากากกันฝุ่น รองเท้ากันลื่น หมวกแข็ง หรือประคบหูกันเสียงดัง ที่เลือกใช้ตามความเหมาะสมกับสภาพการทำงาน สามารถลดอันตรายต่อบุคคลได้
- ▶ ป้องกันการติดเครื่องโดยไม่ตั้งใจ ต้องดูให้แน่ใจว่าสวิทช์อยู่ในตำแหน่งปิดก่อนเสียบปลั๊กไฟเข้าไปในเต้าเสียบ และ/หรือใส่แท่งแบตเตอรี่ ยุกขึ้นหรือถือเครื่องมือ การถือเครื่องโดยใช้นิ้วที่สวิทช์ หรือเสียบปลั๊กไฟขณะที่สวิทช์เปิดอยู่ อาจนำไปสู่อุบัติเหตุที่ร้ายแรงได้
- ▶ เอาเครื่องมือปรับแต่งหรือประแจปากตายออกจากเครื่องมือไฟฟ้าก่อนเปิดสวิทช์ เครื่องมือหรือประแจปากตายที่วางอยู่กับส่วนของเครื่องที่กำลังหมุนจะทำให้บุคคลบาดเจ็บได้
- ▶ หลีกเลี่ยงการตั้งค่าที่ผิดปกติ ตั้งท้ายขึ้นที่มั่นคงและวางน้ำหนักให้สมดุลตลอดเวลา ในลักษณะนี้ท่านสามารถควบคุมเครื่องมือไฟฟ้าในสถานการณ์ที่ไม่คาดคิดได้ดีกว่า
- ▶ ใส่เสื้อผ้าที่เหมาะสม อย่าใส่เสื้อผ้าหลวมหรือสวมเครื่องประดับ เอาผม เลือ่ผ้า และถุงมือออกห่างส่วนของเครื่องที่กำลังหมุน เลือ่ผ้าหลวม เครื่องประดับ และผมยาวอาจเข้าไปติดในส่วนของเครื่องที่กำลังหมุนได้
- ▶ หากต้องต่อเครื่องมือไฟฟ้าเข้ากับเครื่องดูดฝุ่นหรือเครื่องเก็บผง ดูให้แน่ใจว่าการเชื่อมต่อและการใช้งานเป็นไปอย่างถูกต้อง การใช้อุปกรณ์ดูดฝุ่นช่วยลดอันตรายที่เกิดจากฝุ่นได้

## การใช้และการดูแลรักษาเครื่องมือไฟฟ้า

- ▶ อย่าใช้เครื่องมือไฟฟ้าอย่างหักโหม ใช้เครื่องมือไฟฟ้าที่ถูกต้องตรงตามลักษณะงาน เครื่องมือไฟฟ้าที่ถูกต้องจะทำงานได้ดีกว่าและปลอดภัยกว่าในระดับสมรรถภาพที่ออกแบบไว้
- ▶ อย่าใช้เครื่องมือไฟฟ้าที่สวิทช์เปิดปิดเสีย เครื่องมือไฟฟ้าที่ไม่สามารถควบคุมการเปิดปิดด้วยสวิทช์ได้ เป็นเครื่องมือไฟฟ้าที่ไม่ปลอดภัยและต้องส่งซ่อมแซม

- ▶ **ก่อนปรับแต่งเครื่อง** เปลี่ยนอุปกรณ์ประกอบ หรือ เก็บเครื่องเข้าที่ ต้องถอดปลั๊กไฟออกจากเต้าเสียบ และ/หรือถอดแหงแบดเตอร์ออกจากเครื่องมือไฟฟ้า มาตรการป้องกันเพื่อความปลอดภัยนี้ช่วยลดความเสี่ยงจากการติดเครื่องโดยไม่ได้ตั้งใจ
- ▶ **เมื่อเลิกใช้งานเครื่องมือไฟฟ้า** ให้เก็บเครื่องไว้ในที่ที่ เด็กหยิบไม่ถึง และไม่อนุญาตให้บุคคลที่ไม่คุ้นเคย กับเครื่องหรือบุคคลที่ไม่ได้อ่านคำแนะนำนี้ใช้เครื่องมือไฟฟ้าเป็นของอันตรายหากตกอยู่ในมือของผู้ใช้ที่ไม่ได้รับการฝึกฝน
- ▶ **เอาใจใส่ดูแลรักษาเครื่อง** ตรวจสอบหาส่วนที่เคลื่อนไหวได้ของเครื่องว่าวางอยู่ตรงแนวหรือติดขัดหรือไม่ ตรวจสอบการแตกหักของชิ้นส่วนและสภาพอินไดที่ อาจมีผลต่อการทำงานของเครื่องมือไฟฟ้า หากชำรุด ต้องส่งเครื่องมือไฟฟ้าซ่อมแซมก่อนใช้งาน อุบัติเหตุหลายอย่างเกิดขึ้นเนื่องจากดูแลรักษาเครื่องไม่ดีพอ
- ▶ **รักษาเครื่องมือตัดให้คมและสะอาด** หากบำรุงรักษา เครื่องมือที่มีขอบตัดแหลมคมอย่างถูกต้อง จะสามารถตัด ได้ลื่นไม่ติดขัดและควบคุมได้ง่ายกว่า
- ▶ **ใช้เครื่องมือไฟฟ้า อุปกรณ์ประกอบ เครื่องมือ และ อุปกรณ์อื่นๆ ให้ตรงตามคำแนะนำนี้** และในลักษณะ ตามที่เครื่องมือไฟฟ้าประเภทนั้นๆ กำหนดไว้ โดยต้อง คำนึงถึงเงื่อนไขการทำงานและงานที่จะทำด้วย การใช้ เครื่องมือไฟฟ้าทำงานที่ต่างไปจากวัตถุประสงค์การใช้ งานของเครื่อง อาจนำไปสู่สถานการณ์ที่เป็นอันตรายได้

#### การบริการ

- ▶ **ส่งเครื่องมือไฟฟ้าให้ช่างผู้เชี่ยวชาญตรวจสอบและใช้ อะไหล่เปลี่ยนของแท้เท่านั้น** ในลักษณะนี้ท่านจะแน่ใจ ได้ว่าเครื่องมือไฟฟ้าอยู่ในสภาพที่ปลอดภัย

#### คำเตือนเพื่อความปลอดภัยสำหรับไขควง

- ▶ **เมื่อทำงานในบริเวณที่สำรวจสัมผัสกับสายไฟฟ้าที่ซ่อน อยู่หรือสายไฟฟ้าของเครื่อง** ต้องจับเครื่องมือไฟฟ้าตรง **ด้ามจับที่หุ้มฉนวน** หากกรรูลสัมผัสกับสายที่มีกระแสไฟฟ้า ไหลผ่านจะทำให้ส่วนที่เป็นโลหะของเครื่องมือไฟฟ้าเกิดมี กระแสไฟฟ้าด้วย และส่งผลให้ผู้ใช้เครื่องถูกไฟฟ้าดูดได้
- ▶ **จับเครื่องมือไฟฟ้าให้แน่น** ขณะขันสกรูเข้าและคลายออก อาจเกิดแรงบิดสะท้อนช่วงสั้นๆ อย่างรุนแรงได้

#### ข้อมูลทางเทคนิค

ไขควงไฟฟ้า		GSR 6-25 TE Professional	GSR 6-45 TE Professional	GSR 6-60 TE Professional
หมายเลขสินค้า		3 601 D45 0..	3 601 D45 1..	3 601 D45 2..
กำลังไฟฟ้าเข้ากำหนด	วัตต์	701	701	701
กำลังไฟฟ้าออก	วัตต์	327	327	327
ความเร็วรอบเดินตัวเปล่า	รอบ/นาที	0 - 2500	0 - 4500	0 - 6000
ความเร็วรอบกำหนด	รอบ/นาที	0 - 1700	0 - 3000	0 - 4500
ค่าที่ให้นี้ใช้ได้กับแรงดันไฟฟ้าระบุ [U] 230 โวลต์ ค่าเหล่านี้อาจผิดเพี้ยนไปสำหรับแรงดันไฟฟ้าที่ต่ำกว่า และ ไม่เคลือบสำหรับเฉพาะประเทศ				

- ▶ **ยึดชิ้นงานให้แน่น** การยึดชิ้นงานด้วยเครื่องหนีบหรือ แท่นจับจะมั่นคงกว่าการยึดด้วยมือ
- ▶ **ก่อนวางเครื่องลงบนพื้นทุกครั้งต้องรอให้เครื่องหยุดนิ่งอยู่กับที่เสมอ** มิฉะนั้นเครื่องมือที่ใส่อยู่อาจติดขัด และนำไปสู่การสูญเสียการควบคุมเครื่องมือไฟฟ้า

## รายละเอียดผลิตภัณฑ์และ ข้อมูลจำเพาะ



ต้องอ่านคำเตือนเพื่อความปลอดภัยและ คำสั่งทั้งหมด การไม่ปฏิบัติตามคำเตือนและ คำสั่งอาจเป็นสาเหตุให้ถูกไฟฟ้าดูด เกิด ไฟไหม้ และ/หรือได้รับบาดเจ็บอย่างร้ายแรง

ขณะอ่านคู่มือการใช้งานเครื่อง ให้เปิดหน้าที่แสดงภาพ ประกอบของเครื่องและเปิดค้างไว้

#### ประโยชน์การใช้งานของเครื่อง

เครื่องนี้ใช้สำหรับขันสกรูเข้าและคลายสกรูออก

#### ส่วนประกอบผลิตภัณฑ์

ลำดับเลขของส่วนประกอบผลิตภัณฑ์อ้างอิงถึงส่วนประกอบ ของเครื่องที่แสดงในหน้าภาพประกอบ

- 1 ดอกไขควง\*
- 2 ปลอกหยุด
- 3 ปลอกปรับความลึกการขัน
- 4 ก้านวัดความลึกการขัน
- 5 คลิปเข็มขัด
- 6 ปุ่มล็อคสวิตช์เปิด-ปิด
- 7 สวิตช์เปิด-ปิด
- 8 สวิตช์เปลี่ยนทิศทางการหมุน
- 9 ด้ามจับ (พื้นผิวจับหุ้มฉนวน)
- 10 ด้ามจับดอกทั่วไป\*

\* อุปกรณ์ประกอบที่แสดงหรือระบุไม่รวมอยู่ในการจัดส่งมาตรฐาน กรุณาดูอุปกรณ์ประกอบทั้งหมดในรายการแสดงอุปกรณ์ประกอบ ของเรา

## 20 | ภาษาไทย

ไขควงไฟฟ้า		GSR 6-25 TE Professional	GSR 6-45 TE Professional	GSR 6-60 TE Professional
ด้ามจับเครื่องมือ		¼" ทกเหลี่ยม สวมด้านใน	¼" ทกเหลี่ยม สวมด้านใน	¼" ทกเหลี่ยม สวมด้านใน
Ø-สกรู สูงสุด	มม.	6	6	6
น้ำหนักตามระเบียบการ-EPTA-Procedure 01:2014	กก.	1.5	1.4	1.4
ระดับความปลอดภัย ค่าที่ให้ผู้ใช้ได้กับแรงดันไฟฟ้าระบุ [U] 230 โวลท์ ค่าเหล่านี้อาจผิดเพี้ยนไปสำหรับแรงดันไฟฟ้าที่ต่ำกว่า และ โมเดลที่สร้างสำหรับเฉพาะประเทศ		□/II	□/II	□/II

## การประกอบ

### การเปลี่ยนเครื่องมือ (ดูภาพประกอบ A)

#### ▶ ดึงปลั๊กไฟออกจากเต้าเสียบก่อนปรับแต่งเครื่อง

ดึงก้านวัดความลึกการขัน 4 ไปข้างหน้า ดึงดอกไขควง 1 ออกมา และหากต้องการ ยังสามารถดึงด้ามจับดอกทัวไป 10 ออกมาเพื่อเปลี่ยนใหม่

หลังเปลี่ยนเครื่องมือ ให้คืนก้านวัดความลึกการขัน 4 กลับที่เดิม

## การปฏิบัติงาน

### เริ่มต้นปฏิบัติงาน

#### ▶ ให้สังเกตแรงดันไฟฟ้า! แรงดันไฟฟ้าจากแหล่งจ่ายไฟฟ้าต้องมีค่าตรงกับค่าแรงดันไฟฟ้าที่ระบุไว้บนแผ่นป้ายพิกัดเครื่อง

#### การกลับทิศทางการหมุน

สวิตช์เปลี่ยนทิศทางการหมุน 8 ใช้สำหรับกลับทิศทางการหมุนของเครื่อง อย่างไรก็ตาม หากกดสวิตช์เปิด-ปิด 7 อยู่ จะกลับทิศทางการหมุนไม่ได้

**การหมุนทางขวา:** สำหรับการขันสกรูเข้า ให้สับสวิตช์เปลี่ยนทิศทางการหมุน 8 ไปทางซ้ายจนสุด

**การหมุนทางซ้าย:** ให้สับสวิตช์เปลี่ยนทิศทางการหมุน 8 ไปทางขวาจนสุด (สำหรับขันสกรูออก)

#### การเปิด-ปิดเครื่อง

เปิดเครื่องทำงานโดยกดสวิตช์เปิด-ปิด 7 และกดค้างไว้ ล็อคสวิตช์เปิด-ปิด 7 ที่กดค้างไว้ โดยกดปุ่มล็อคสวิตช์เปิด-ปิด 6

ปิดเครื่องโดยปล่อยนิ้วจากสวิตช์เปิด-ปิด 7 หรือในกรณีที่ถูกล็อคด้วยปุ่มล็อค 6 อยู่ ให้กดสวิตช์เปิด-ปิด 7 ลื่นๆ และปล่อยนิ้ว

#### การปรับความเร็วรอบ

ความเร็วรอบของเครื่องมือไฟฟ้าที่เปิดทำงานสามารถปรับเปลี่ยนได้ตามแรงกดมากน้อยบนสวิตช์เปิด-ปิด 7

การกดสวิตช์เปิด-ปิด 7 เมฆจะให้ความเร็วรอบต่ำ การกดสวิตช์แรงยิ่งขึ้นจะให้ความเร็วรอบสูงขึ้น

### การปรับความลึกการขันเข้า (ดูภาพประกอบ B)

ปลดปรับ 3 ใช้สำหรับตั้งล่วงหน้าความลึกการขันหัวสกรูเข้าในชิ้นงาน โดยปรับได้ 8 ชั้น การหมุนปลดกึ่งหนึ่งรอบเต็ม เท่ากับการปรับหนึ่งชั้น แต่ละชั้นปรับจะให้ความลึกการขันเข้า 0.25 มม

หมุนปลดปรับ 3 ในทิศทางเข็มนาฬิกาจะให้ความลึกการขันเข้าเพิ่มขึ้น; หมุนในทิศทางเข็มนาฬิกาจะให้ความลึกการขันเข้าลดลง

การตั้งให้ได้ระดับที่ต้องการ กำหนดได้จากการฝีกทดลองปรับ

### ข้อแนะนำในการทำงาน

#### ▶ จับเครื่องมือไฟฟ้าวางบนสกรูเมื่อเครื่องปิดอยู่เท่านั้น เครื่องมือที่กำลังหมุนอยู่สามารถทำให้ลื่นไถลได้

นำสกรูมาจ่อที่ดอกไขควง 1 สกรูจะติดอยู่กับที่ด้วยแรงดูดแม่เหล็กจากด้ามจับดอกทัวไป 10 กดปลายสกรูเข้าในวัสดุที่จะขันเข้าไปแรงๆ จนก้านวัดความลึก 4 หันเข้าหาชิ้นงาน

เปิดสวิตช์เครื่องทำงาน สกรูจะถูกขันเข้าในวัสดุจนถึงความลึกการขันที่ตั้งไว้ ตัวจับจะถูกปลดออกและด้ามจับเครื่องมือจะไม่หมุนต่อ ตรวจสอบความลึกการขันเข้าและปรับความลึกอีกครั้ง หากจำเป็น

สำหรับการคลายสกรูออก ให้สับสวิตช์เปลี่ยนทิศทางการหมุน 8 ไปทางซ้าย และดึงก้านวัดความลึกการขัน 4 ไปข้างหน้าโดยไม่หมุนปลดปรับ ทำนสามารถทำงานโดยใช้ก้านวัดความลึกการขัน 4 ร่วมกับหากต้องการปรับความลึกการขันเข้า

#### คลิปเข็มขัด

คลิปเข็มขัด 5 ใช้สำหรับแขวนเครื่องเข้ากับเข็มขัด ผู้ใช้จะมีมือใช้งานอิสระได้ทั้งสองข้าง และสามารถหยิบจับเครื่องมือได้ตลอดเวลา

## การบำรุงรักษาและการบริการ

### การบำรุงรักษาและการทำความสะอาด

#### ▶ ดึงปลั๊กไฟออกจากเต้าเสียบก่อนปรับแต่งเครื่อง

#### ▶ เพื่อให้ทำงานได้อย่างถูกต้องและปลอดภัย ต้องรักษาเครื่องและช่องระบายอากาศให้สะอาดอยู่เสมอ

เมื่อจำเป็นต้องเปลี่ยนสายไฟฟ้า ให้ส่งเครื่องให้บริษัท บ็อชหรือศูนย์บริการลูกค้าสำหรับเครื่องมือไฟฟ้า บ็อช ที่ได้รับ

มอบหมายทำการเปลี่ยนให้ เพื่อหลีกเลี่ยงอันตรายด้านความปลอดภัย

เครื่องมือไฟฟ้าผ่านกรรมวิธีการผลิตและตรวจสอบอย่างละเอียดถี่ถ้วนมาแล้ว ถึงกระนั้น หากเครื่องเกิดขัดข้อง ต้องส่งเครื่องให้ศูนย์บริการหลังการขายสำหรับเครื่องมือไฟฟ้า บို့ช ซ่อมแซม

เมื่อต้องการสอบถามและสั่งซื้ออะไหล่ กรุณาแจ้งหมายเลขสินค้าหลักกับแผนป้ายรุ่นของเครื่องทุกครั้ง

### การบริการหลังการขายและคำแนะนำการใช้งาน

ศูนย์บริการหลังการขายของเรายินดีตอบคำถามเกี่ยวกับการบำรุงรักษาและการซ่อมแซมผลิตภัณฑ์ของท่าน รวมทั้งชิ้นส่วนอะไหล่ ภาพแยกชิ้นประกอบและข้อมูลเกี่ยวกับชิ้นส่วนอะไหล่ยังสามารถดูได้ใน:

**www.bosch-pt.com**

ทีมงานให้คำแนะนำการใช้งานของ บို့ช ยินดีตอบคำถามเกี่ยวกับผลิตภัณฑ์ของเราและอุปกรณ์ประกอบของผลิตภัณฑ์

ในกรณีประกัน ซ่อมแซม หรือซื้อชิ้นส่วนมาเปลี่ยน กรุณาติดต่อ ผู้ขายที่ได้รับแต่งตั้งเท่านั้น

### ไทย

บริษัท โรเบิร์ต บို့ช จำกัด  
ชั้น 11 ดิกลีเบอร์ดี สแควร์  
287 ถนนสีลม บางรัก

กรุงเทพฯ 10500  
โทรศัพท์ 02 6393111, 02 6393118  
โทรสาร 02 2384783

บริษัท โรเบิร์ต บို့ช จำกัด ตู้ ปณ. 2054  
กรุงเทพฯ 10501 ประเทศไทย  
www.bosch.co.th

ศูนย์บริการซ่อมและฝึกอบรม บို့ช  
อาคาร ลาซาลทาวเวอร์ ชั้น G ห้องเลขที่ 2  
บ้านเลขที่ 10/11 หมู่ 16  
ถนนศรีนครินทร์  
ตำบลบางแก้ว อำเภอบางพลี  
จังหวัดสมุทรปราการ 10540  
ประเทศไทย  
โทรศัพท์ 02 7587555  
โทรสาร 02 7587525

### การกำจัดขยะ

เครื่องมือ อุปกรณ์ประกอบ และหีบห่อ ต้องนำไปแยกประเภทวัสดุเพื่อนำกลับมาใช้ใหม่โดยไม่ทำลายสภาพแวดล้อม อย่าทิ้งเครื่องมือไฟฟ้าลงในขยะบ้าน!

ขอสงวนสิทธิ์ในการเปลี่ยนแปลงโดยไม่ต้องแจ้งล่วงหน้า

## Bahasa Indonesia

## Petunjuk-Petunjuk untuk Keselamatan Kerja

### Petunjuk-Petunjuk Umum untuk Perkakas Listrik

**⚠ PERHATIKANLAH** Bacalah semua petunjuk-petunjuk untuk keselamatan kerja dan petunjuk-petunjuk untuk penggunaan.

Kesalahan dalam menjalankan petunjuk-petunjuk untuk keselamatan kerja dan petunjuk-petunjuk untuk penggunaan dapat mengakibatkan kontak listrik, kebakaran dan/atau luka-luka yang berat.

**Simpanlah semua petunjuk-petunjuk untuk keselamatan kerja dan petunjuk-petunjuk lainnya untuk penggunaan di masa depan.**

Kata „perkakas listrik“ yang disebutkan di dalam petunjuk-petunjuk untuk keselamatan kerja adalah sebutan untuk perkakas listrik pakai listrik jaringan (dengan kabel) dan untuk perkakas listrik tenaga baterai (tanpa kabel listrik).

### Keselamatan kerja di tempat kerja

- ▶ **Jagalah supaya tempat kerja selalu bersih dan terang.** Tempat kerja yang tidak rapi atau tidak terang dapat mengakibatkan terjadinya kecelakaan.
- ▶ **Janganlah menggunakan perkakas listrik di tempat di mana dapat terjadi ledakan, di mana ada cairan, gas atau debu yang mudah terbakar.** Perkakas listrik dapat memancarkan bunga api yang lalu mengakibatkan debu atau uap terbakar.
- ▶ **Selama menggunakan perkakas listrik, jauhkan anak-anak dan orang-orang lain dari tempat kerja.** Jika konsentrasi terganggu, bisa jadi Anda tidak bisa mengendalikan perkakas listrik tersebut.

### Keamanan listrik

- ▶ **Steker dari perkakas listrik harus cocok pada stopkontak. Janganlah sekali-kali merubah steker. Janganlah menggunakan steker perantara bersama dengan perkakas listrik yang mempunyai hubungan arde.** Steker yang tidak dirubah dan stopkontak yang cocok mengurangi bahaya terjadinya kontak listrik.
- ▶ **Jagalah supaya badan Anda tidak bersentuhan dengan permukaan yang mempunyai hubungan arde, misalnya pipa-pipa, radiator pemanas ruangan, kompor listrik dan lemari es.** Ada risiko besar terjadi kontak listrik, jika badan Anda mempunyai hubungan arde.
- ▶ **Jagalah supaya perkakas listrik tidak kena hujan atau menjadi basah.** Air yang masuk ke dalam perkakas listrik menambah risiko terjadinya kontak listrik.
- ▶ **Janganlah menyalah gunakan kabel listrik untuk mengangkat dan menggantungkan perkakas listrik atau untuk menarik steker dari stopkontak. Jagalah supaya kabel listrik tidak kena panas, minyak, pinggiran yang tajam atau bagian-bagian perkakas yang bergerak.** Kabel listrik yang rusak atau tersangkut menambah risiko terjadinya kontak listrik.
- ▶ **Jika Anda menggunakan perkakas listrik di luar gedung, gunakanlah hanya kabel sambungan yang juga**

## 22 | Bahasa Indonesia

**cocok untuk pemakaian di luar gedung.** Penggunaan kabel sambungan yang cocok untuk pemakaian di luar gedung mengurangi risiko terjadinya kontak listrik.

- ▶ **Jika penggunaan perkakas listrik di tempat yang basah tidak bisa dihindarkan, gunakanlah sakelar pengaman terhadap arus penyimpangan.** Penggunaan sakelar pengaman terhadap arus penyimpangan mengurangi risiko terjadinya kontak listrik.
- ▶ **Janganlah menggunakan perkakas listrik, jika kabelnya rusak. Janganlah menyentuh kabel yang rusak dan tariklah steker dari stopkontak, jika kabel menjadi rusak selama penggunaan perkakas listrik.** Kabel yang rusak membuat risiko terjadinya kontak listrik menjadi lebih besar.

#### Keselamatan kerja

- ▶ **Berhati-hatilah selalu, perhatikanlah apa yang Anda kerjakan dan bekerjalah dengan seksama jika menggunakan perkakas listrik. Janganlah menggunakan perkakas listrik, jika Anda capai atau berada di bawah pengaruh narkoba, minuman keras atau obat.** Jika Anda sekejap mata saja tidak berhati-hati sewaktu menggunakan perkakas listrik, dapat terjadi luka-luka berat.
- ▶ **Pakailah pakaian dan sarana pelindung dan pakailah selalu kaca mata pelindung.** Dengan memakai pakaian dan sarana pelindung, misalnya kedok anti debu (masker), sepatu tertutup yang tidak licin, helm pelindung atau pemalut telinga sesuai dengan pekerjaan yang dilakukan dengan perkakas listrik, bahaya terjadinya luka-luka dapat dikurangi.
- ▶ **Jagalah supaya perkakas listrik tidak dihidupkan secara tidak disengaja. Perhatikan bahwa perkakas listrik dalam penyetelan mati, jika steker disambungkan pada pengadaan listrik dan/atau baterai, jika perkakas listrik diangkat atau dibawa.** Jika selama mengangkat perkakas listrik jari Anda berada pada tombol untuk menghidupkan dan mematikan atau perkakas listrik yang dalam penyetelan hidup disambungkan pada listrik, dapat terjadi kecelakaan.
- ▶ **Lepaskan semua perkakas-perkakas penyetelan atau kunci-kunci pas sebelum perkakas listrik dihidupkan.** Perkakas atau kunci yang berada di dalam bagian yang berputar dapat mengakibatkan terjadinya luka-luka.
- ▶ **Aturkan badan sedemikian sehingga Anda bisa bekerja dengan aman. Berdirilah secara mantap dan jagalah selalu keseimbangan.** Dengan demikian Anda bisa mengendalikan perkakas listrik dengan lebih baik, jika terjadi sesuatu dengan tiba-tiba.
- ▶ **Pakailah pakaian yang cocok. Janganlah memakai pakaian yang longgar atau perhiasan. Jagalah supaya rambut, pakaian dan sarung tangan tidak masuk dalam bagian-bagian perkakas yang bergerak.** Pakaian yang longgar, rambut panjang atau perhiasan dapat tersangkut dalam bagian perkakas yang bergerak.
- ▶ **Jika ada kemungkinan untuk memasang sarana penghisapan dan penampungan debu, perhatikan bahwa sarana-sarana ini telah dipasang dan**

**digunakan dengan betul.** Penggunaan sarana penghisan bisa mengurangi bahaya yang disebabkan debu.

#### Penggunaan dan penanganan perkakas listrik dengan seksama

- ▶ **Janganlah membebankan perkakas listrik terlalu berat. Gunakan selalu perkakas listrik yang cocok untuk pekerjaan yang dilakukan.** Dengan perkakas listrik yang cocok Anda bekerja lebih baik dan lebih aman dalam batas-batas kemampuan yang ditentukan.
- ▶ **Janganlah menggunakan perkakas listrik yang tombolnya rusak.** Perkakas listrik yang tidak bisa dihidupkan atau dimatikan, berbahaya dan harus direparasikan.
- ▶ **Tariklah steker dari stopkontak dan/atau keluarkan baterai, sebelum Anda melakukan penyetelan pada perkakas listrik, mengganti alat-alat kerja atau sebelum menyimpan perkakas listrik.** Tindakan keselamatan kerja ini mengurangi bahaya perkakas listrik hidup secara tidak disengaja.
- ▶ **Simpanlah perkakas listrik yang tidak digunakan di luar jangkauan anak-anak. Janganlah mengizinkan orang-orang yang tidak mengenal perkakas listrik ini atau yang belum membaca petunjuk-petunjuk ini, menggunakan perkakas listrik ini.** Perkakas listrik bisa menjadi berbahaya, jika digunakan oleh orang-orang yang tidak mengenalnya.
- ▶ **Rawatlah perkakas listrik dengan seksama. Periksalah, apakah bagian-bagian perkakas listrik yang bergerak berfungsi dengan baik dan tidak tersangkut, apakah ada bagian-bagian yang patah atau rusak sedemikian, sehingga dapat mempengaruhi jalannya perkakas listrik. Biarkan bagian-bagian perkakas yang rusak direparasikan, sebelum Anda mulai menggunakan perkakas listrik.** Banyak kecelakaan terjadi karena perkakas listrik tidak dirawat dengan seksama.
- ▶ **Perhatikan supaya alat-alat pemotong selalu tajam dan bersih.** Alat-alat pemotong dengan mata-mata pemotong yang tajam dan dirawat dengan seksama tidak mudah tersangkut dan lebih mudah dikendalikan.
- ▶ **Gunakanlah semua perkakas listrik, aksesori, alat-alat kerja dsb. sesuai dengan petunjuk-petunjuk. Perhatikan syarat-syarat kerja dan macam pekerjaan yang dilakukan.** Penggunaan perkakas listrik untuk macam pekerjaan yang tidak cocok dengan kegunaannya bisa mengakibatkan keadaan yang berbahaya.

#### Servis

- ▶ **Biarkan perkakas listrik Anda direparasikan hanya oleh orang-orang ahli yang berpengalaman dan hanya dengan menggunakan suku cadang yang asli.** Dengan demikian terjamin keselamatan kerja dengan perkakas listrik ini secara berkesinambungan.

#### Petunjuk-petunjuk untuk keselamatan kerja untuk obeng elektro

- ▶ **Peganglah perkakas listrik hanya pada pegangan yang terisolir, jika Anda melakukan pekerjaan di mana**

sekrupnya bisa terkena pada saluran listrik yang tidak terlihat atau kabelnya sendiri. Sentuhan sekrup pada kabel yang bertegangan dapat mengakibatkan bagian-bagian logam dari perkakas listrik juga bertegangan dan lalu mengakibatkan kontak listrik.

- ▶ **Peganglah perkakas listrik secara kencang.** Pada waktu memutar masuk dan memutar ke luar sekrup bisa terjadi momen yang besar untuk waktu yang singkat.
- ▶ **Usahakan supaya benda yang dikerjakan tidak goyang.** Benda yang ditahan dalam alat pemegang atau bais lebih mantap daripada benda yang dipegang dengan tangan.
- ▶ **Sebelum meletakkan perkakas listrik, tunggulah sampai perkakas berhenti memutar.** Alat kerja bisa tersangkut dan membuat perkakas listrik tidak bisa dikendalikan.

## Penjelasan tentang produk dan daya



**Bacalah semua petunjuk-petunjuk untuk keselamatan kerja dan petunjuk-petunjuk untuk penggunaan.** Kesalahan dalam menjalankan petunjuk-petunjuk untuk keselamatan kerja dan petunjuk-petunjuk untuk penggunaan dapat mengakibatkan kontak listrik, kebakaran dan/atau luka-luka yang berat.

Bukalah halaman lipatan dengan gambar dari perkakas dan biarkan halaman ini terbuka selama Anda membaca petunjuk-petunjuk untuk penggunaan.

### Penggunaan alat

Perkakas listrik ini cocok untuk memutar masuk dan memutar ke luar sekrup dan baut.

### Bagian-bagian pada gambar

Nomor-nomor dari bagian-bagian perkakas pada gambar sesuai dengan gambar perkakas listrik pada halaman bergambar.

- 1 Mata obeng bit\*
- 2 Selubung pembatas
- 3 Selubung penyetelan kedalaman lubang sekrup
- 4 Pembatas kedalaman lubang sekrup
- 5 Jepitan tempat menggantungkan
- 6 Tombol pengunci untuk tombol untuk menghidupkan dan mematikan
- 7 Tombol untuk menghidupkan dan mematikan
- 8 Omsakelar arah putaran
- 9 Pegangan (genggaman terisolir)
- 10 Pemegang mata obeng bit\*

\*Aksesori yang ada pada gambar atau yang dijelaskan, tidak termasuk pasokan standar. Semua aksesori yang ada bisa Anda lihat dalam program aksesori Bosch.

### Data teknis

Obeng elektro		GSR 6-25 TE Professional	GSR 6-45 TE Professional	GSR 6-60 TE Professional
Nomor model		3 601 D45 0..	3 601 D45 1..	3 601 D45 2..
Masukan nominal	W	701	701	701
Daya	W	327	327	327
Kecepatan putaran tanpa beban	min <sup>-1</sup>	0 – 2500	0 – 4500	0 – 6000
Kecepatan putaran nominal	min <sup>-1</sup>	0 – 1700	0 – 3000	0 – 4500
Pemegang alat kerja		¼" Kunci mur dalam	¼" Kunci mur dalam	¼" Kunci mur dalam
Ø-sekrup maks.	mm	6	6	6
Berat sesuai dengan EPTA-Procedure 01:2014	kg	1,5	1,4	1,4
Klasifikasi keamanan		□/II	□/II	□/II

Data-data berlaku untuk tegangan nominal [U] 230 V. Pada tegangan yang lebih rendah dan pada model khusus mancanegara data-data ini bisa berlainan.

## Cara memasang

### Mengganti alat kerja (lihat gambar A)

- ▶ **Sebelum mulai dengan pekerjaan pada perkakas listrik, tariklah steker dari stopkontak.**

Tariklah pembatas kedalaman lubang sekrup **4** ke depan sampai lepas. Tariklah mata obeng bit **1** ke luar. Jika perlu, pemegang mata obeng bit **10** juga bisa ditarik ke luar dan digantikan.

Setelah alat kerja digantikan, pasang kembali pembatas kedalaman lubang sekrup **4**.

## Penggunaan

### Cara penggunaan

- ▶ **Perhatikan tegangan jaringan listrik! Tegangan jaringan listrik harus sesuai dengan tegangan listrik yang tercantum pada label tipe perkakas listrik.**

### Menyetel arah putaran

Dengan omsakelar arah putaran **8** Anda bisa merubah arah putaran dari perkakas listrik. Akan tetapi ini tidak mungkin jika tombol untuk menghidupkan dan mematikan mesin **7** sedang ditekan.

## 24 | Bahasa Indonesia

**Arah putaran ke kanan:** untuk memutar masuk sekrup, tekan omsakelar arah putaran **8** ke kiri sampai batas.

**Arah putaran ke kiri:** untuk memutar ke luar sekrup, tekan omsakelar arah putaran **8** ke kanan sampai batas.

### Menghidupkan/mematikan

Untuk **menghidupkan**, tekan tombol untuk menghidupkan dan mematikan **7** dan tahan tekanan.

Untuk **mengunci** tombol untuk menghidupkan dan mematikan **7** yang tertekan, tekan tombol pengunci **6**.

Untuk **mematikan**, lepaskan tombol untuk menghidupkan dan mematikan **7** atau jika dikunci dengan tombol pengunci **6**, tekan sebentar tombol **7** dan lepaskan.

### Menyetel kecepatan putaran

Anda bisa menyetel kecepatan putaran tanpa tingkatan pada perkakas listrik yang hidup, tergantung dari tekanan pada tombol untuk menghidupkan dan mematikan mesin **7**.

Tekanan ringan pada tombol **7** mengakibatkan kecepatan putaran yang rendah. Tekanan yang lebih besar mengakibatkan kecepatan putaran yang lebih tinggi.

### Menyetel kedalaman lubang sekrup (lihat gambar B)

Dengan selubung penyetelan kedalaman lubang sekrup **3**, kedalaman penyekrupan kepala sekrup dalam bahan bisa disetelkan sebelumnya dalam 8 tingkatan penyetelan yang terasa per satu putaran. Setiap tingkatan sama dengan perbedaan kedalaman penyekrupan sebesar 0,25 mm.

Memutar selubung penyetelan **3** dalam arah jalannya jarum jam membuat lubang sekrup lebih dalam, memutarannya melawan arah jalannya jarum jam membuat lubang sekrup kurang dalam.

Penyetelan yang diperlukan sebaiknya didapatkan dengan uji coba sebelumnya.

### Petunjuk-petunjuk untuk pemakaian

- ▶ **Pasangkan perkakas listrik pada sekrup hanya jika perkakas listrik dalam keadaan mati.** Alat kerja-alat kerja yang berputar bisa meleset.

Pasangkan sekrup pada mata obeng bit **1**. Sekrup ditahan oleh daya magnet dari pemegang mata obeng bit **10**. Tekan ujung sekrup keras-keras pada bahan yang dikerjakan, sampai pembatas kedalaman lubang sekrup **4** terkena pada benda yang dikerjakan.

Hidupkan perkakas listrik. Sekrup diputar masuk ke dalam benda yang dikerjakan, sampai kedalaman lubang sekrup yang disetelkan tercapai. Klos berhenti memutar; pemegang alat kerja tidak berputar lagi. Periksa kedalaman lubang sekrup dan jika perlu, setelkan lubang sekrup sekali lagi.

Untuk memutar ke luar sekrup, setelkan omsakelar arah putaran **8** pada arah putaran ke kiri dan tarik pembatas kedalaman lubang sekrup **4** ke depan sampai lepas tanpa memutar selubung penyetelan.

Anda juga bisa bekerja dengan pembatas kedalaman lubang sekrup **4** yang terpasang, jika Anda menyesuaikan kedalaman lubang sekrup.

### Jepitan tempat menggantungkan

Dengan jepitan tempat menggantungkan **5**, Anda bisa menggantungkan perkakas listrik, misalnya pada satu tali pengikat. Dengan demikian Anda tidak perlu memegang perkakas listrik dan perkakas listrik tetap berada di dekat Anda.

## Rawatan dan servis

### Rawatan dan kebersihan

- ▶ **Sebelum mulai dengan pekerjaan pada perkakas listrik, tarikhlah steker dari stopkontak.**
- ▶ **Perkakas listrik dan lubang ventilasi harus selalu dibersihkan supaya perkakas bisa digunakan dengan baik dan aman.**

Jika kabel listrik harus digantikan, pekerjaan ini harus dilakukan oleh Bosch atau Service Center untuk perkakas listrik Bosch yang resmi, supaya keselamatan kerja selalu terjamin.

Jika pada suatu waktu perkakas listrik ini tidak bisa berjalan meskipun telah diproduksi dan diperiksa dengan seksama, maka reparasinya harus dilakukan oleh Service Center perkakas listrik Bosch yang resmi.

Jika Anda hendak menanyakan sesuatu atau memesan suku cadang, sebutkan selalu nomor model yang terdiri dari 10 angka dan tercantum pada label tipe perkakas.

### Layanan pasca beli dan konseling terkait pengoperasian

Layanan pasca beli Bosch menjawab semua pertanyaan Anda terkait reparasi dan maintenance serta suku cadang produk ini. Gambar tiga dimensi dan informasi terkait suku cadang dapat Anda lihat di:

**www.bosch-pt.com**

Tim konseling pengoperasian dari Bosch dengan senang hati membantu Anda, jika Anda hendak bertanya tentang produk-produk kami dan aksesorisnya.

### Indonesia

PT. Multi Mayaka  
Kawasan Industri Pulogadung  
Jalan Rawa Gelam III No. 2  
Jakarta 13930  
Indonesia  
Tel.: (021) 46832522  
Fax: (021) 46828645/6823  
E-Mail: sales@multimayaka.co.id  
www.bosch-pt.co.id

### Cara membuang

Perkakas listrik, aksesoris dan kemasan sebaiknya didaur ulang sesuai dengan upaya untuk melindungi lingkungan hidup.

Janganlah membuang perkakas listrik dalam sampah rumah tangga!



Perubahan dapat terjadi tanpa pemberitahuan sebelumnya.

## Tiếng Việt

### Các Nguyên Tắc An Toàn

#### Cảnh báo tổng quát cách sử dụng an toàn dụng cụ điện cầm tay

**⚠ CẢNH BÁO** Đọc kỹ mọi cảnh báo an toàn và hướng dẫn. Không tuân thủ mọi cảnh báo và hướng dẫn được liệt kê dưới đây có thể bị điện giật, gây cháy và/hay bị thương tật nghiêm trọng.

**Hãy giữ tất cả tài liệu về cảnh báo và hướng dẫn để tham khảo về sau.**

Thuật ngữ “dụng cụ điện cầm tay” trong phần cảnh báo là đề cập đến sự sử dụng dụng cụ điện cầm tay của bạn, loại sử dụng điện nguồn (có dây cắm điện) hay vận hành bằng pin (không dây cắm điện).

#### Khu vực làm việc an toàn

- ▶ **Giữ nơi làm việc sạch và đủ ánh sáng.** Nơi làm việc bừa bộn và tối tăm dễ gây ra tai nạn.
- ▶ **Không vận hành dụng cụ điện cầm tay trong môi trường dễ gây nổ, chẳng hạn như nơi có chất lỏng dễ cháy, khí đốt hay rác.** Dụng cụ điện cầm tay tạo ra các tia lửa nên có thể làm rác bén cháy hay bốc khói.
- ▶ **Không để trẻ em hay người đến xem đứng gần khi vận hành dụng cụ điện cầm tay.** Sự phân tâm có thể gây ra sự mất điều khiển.

#### An toàn về điện

- ▶ **Phích cắm của dụng cụ điện cầm tay phải thích hợp với ổ cắm.** Không bao giờ được cài biến lại phích cắm dưới mọi hình thức. Không được sử dụng phích cắm tiếp hợp nối tiếp đất (dây mát). Phích cắm nguyên bản và ổ cắm đúng loại sẽ làm giảm nguy cơ bị điện giật.
- ▶ **Tránh không để thân thể tiếp xúc với đất hay các vật có bề mặt tiếp đất như đường ống, lò sưởi, hàng rào và tủ lạnh.** Có nhiều nguy cơ bị điện giật hơn nếu cơ thể bạn bị tiếp hay nối đất.
- ▶ **Không được để dụng cụ điện cầm tay ngoài mưa hay ở tình trạng ẩm ướt.** Nước vào máy sẽ làm tăng nguy cơ bị điện giật.
- ▶ **Không được lạm dụng dây dẫn điện.** Không bao giờ được nắm dây dẫn để xách, kéo hay rút phích cắm dụng cụ điện cầm tay. Không để dây gần nơi có nhiệt độ cao, dầu nhớt, vật nhọn bén hay bộ phận chuyển động. Làm hỏng hay cuộn rối dây dẫn làm tăng nguy cơ bị điện giật.

- ▶ **Khi sử dụng dụng cụ điện cầm tay ngoài trời, dùng dây nối thích hợp cho việc sử dụng ngoài trời.** Sử dụng dây nối thích hợp cho việc sử dụng ngoài trời làm giảm nguy cơ bị điện giật.
- ▶ **Nếu việc sử dụng dụng cụ điện cầm tay ở nơi ẩm ướt là không thể tránh được, dùng thiết bị ngắt mạch tự động (RCD) bảo vệ nguồn.** Sử dụng thiết bị ngắt mạch tự động RCD làm giảm nguy cơ bị điện giật.
- ▶ **Không bao giờ được sử dụng máy có dây dẫn bị hỏng. Không được chạm vào dây dẫn bị hỏng và kéo phích cắm điện nguồn ra trong lúc vận hành mà dây dẫn bị hỏng.** Dây dẫn bị hỏng làm tăng nguy cơ bị điện giật.

#### An toàn cá nhân

- ▶ **Hãy tỉnh táo, biết rõ mình đang làm gì và hãy sử dụng ý thức khi vận hành dụng cụ điện cầm tay.** Không sử dụng dụng cụ điện cầm tay khi đang mệt mỏi hay đang bị tác động do chất gây nghiện, rượu hay dược phẩm gây ra. Một thoáng mất tập trung khi đang vận hành dụng cụ điện cầm tay có thể gây thương tích nghiêm trọng cho bản thân.
- ▶ **Sử dụng trang bị bảo hộ cá nhân. Luôn luôn đeo kính bảo vệ mắt.** Trang bị bảo hộ như khẩu trang, giày chống trượt, nón bảo hộ, hay dụng cụ bảo vệ tai khi được sử dụng đúng nơi đúng chỗ sẽ làm giảm nguy cơ thương tật cho bản thân.
- ▶ **Phòng tránh máy khởi động bất ngờ. Bảo đảm công tắc máy ở vị trí tắt trước khi cắm vào nguồn điện và/hay lắp pin vào, khi nhắc máy lên hay khi mang xách máy.** Ngáng ngón tay vào công tắc máy để xách hay kích hoạt dụng cụ điện cầm tay khi công tắc ở vị trí mở dễ dẫn đến tai nạn.
- ▶ **Lấy mọi chìa hay khóa điều chỉnh ra trước khi mở điện dụng cụ điện cầm tay.** Khóa hay chìa còn gắn dính vào bộ phận quay của dụng cụ điện cầm tay có thể gây thương tích cho bản thân.
- ▶ **Không rướn người. Luôn luôn giữ tư thế đứng thích hợp và thăng bằng.** Điều này tạo cho việc điều khiển dụng cụ điện cầm tay tốt hơn trong mọi tình huống bất ngờ.
- ▶ **Trang phục thích hợp. Không mặc quần áo rộng lủng thùng hay mang trang sức. Giữ tóc, quần áo và găng tay xa khỏi các bộ phận chuyển động.** Quần áo rộng lủng thùng, đồ trang sức hay tóc dài có thể bị cuốn vào các bộ phận chuyển động.
- ▶ **Nếu có các thiết bị đi kèm để nối máy hút bụi và các phụ kiện khác, bảo đảm các thiết bị này được nối và sử dụng tốt.** Việc sử dụng các thiết bị gom hút bụi có thể làm giảm các độc hại liên quan đến bụi gây ra.

## 26 | Tiếng Việt

### Sử dụng và bảo dưỡng dụng cụ điện cầm tay

- ▶ **Không được ép máy. Sử dụng dụng cụ điện cầm tay đúng loại theo đúng ứng dụng của bạn.** Dụng cụ điện cầm tay đúng chức năng sẽ làm việc tốt và an toàn hơn theo đúng tiến độ mà máy được thiết kế.
- ▶ **Không sử dụng dụng cụ điện cầm tay nếu như công tắc không tắt và mở được.** Bất kỳ dụng cụ điện cầm tay nào mà không thể điều khiển được bằng công tắc là nguy hiểm và phải được sửa chữa.
- ▶ **Rút phích cắm ra khỏi nguồn điện và/hay pin ra khỏi dụng cụ điện cầm tay trước khi tiến hành bất kỳ điều chỉnh nào, thay phụ kiện, hay cất dụng cụ điện cầm tay.** Các biện pháp ngăn ngừa như vậy làm giảm nguy cơ dụng cụ điện cầm tay khởi động bất ngờ.
- ▶ **Cất giữ dụng cụ điện cầm tay không dùng tới nơi trẻ em không lấy được và không cho người chưa từng biết dụng cụ điện cầm tay hay các hướng dẫn này sử dụng dụng cụ điện cầm tay.** Dụng cụ điện cầm tay nguy hiểm khi ở trong tay người chưa được chỉ cách sử dụng.
- ▶ **Bảo quản dụng cụ điện cầm tay. Kiểm tra xem các bộ phận chuyển động có bị sai lệch hay kẹt, các bộ phận bị rạn nứt và các tình trạng khác có thể ảnh hưởng đến sự vận hành của máy. Nếu bị hư hỏng, phải sửa chữa máy trước khi sử dụng.** Nhiều tai nạn xảy ra do bảo quản dụng cụ điện cầm tay tồi.
- ▶ **Giữ các dụng cụ cất bện và sạch.** Bảo quản đúng cách các dụng cụ cất có cạnh cắt bện làm giảm khả năng bị kẹt và dễ điều khiển hơn.
- ▶ **Sử dụng dụng cụ điện cầm tay, phụ kiện, đầu cài v. v., đúng theo các chỉ dẫn này, hãy lưu ý đến điều kiện làm việc và công việc phải thực hiện.** Sử dụng dụng cụ điện cầm tay khác với mục đích thiết kế có thể tạo nên tình huống nguy hiểm.

### Bảo dưỡng

- ▶ **Đưa dụng cụ điện cầm tay của bạn đến thợ chuyên môn để bảo dưỡng, chỉ sử dụng phụ tùng đúng chủng loại để thay.** Điều này sẽ đảm bảo sự an toàn của máy được giữ nguyên.

### Cảnh Báo An Toàn cho Máy Bắt Vít

- ▶ **Nắm giữ dụng cụ điện nơi phần nắm cách điện khi thực hiện việc gia công nơi chi tiết lắp bắt có thể chạm vào dây điện không nhìn thấy được hay chính dây của máy.** Chi tiết lắp bắt chạm vào dây "có điện" có thể làm cho các bộ phận kim loại không được bao bọc của dụng cụ điện "có điện" và có khả năng gây cho người sử dụng máy bị điện giật.

- ▶ **Giữ máy bằng cách nắm thật chặt.** Lực vận ngược mạnh có thể xảy ra chớp nhoáng trong lúc bắt vít vào hay vặn ra.
- ▶ **Kẹp chặt vật gia công.** Vật gia công được kẹp bằng một thiết bị kẹp hay bằng êtô thì vững chắc hơn giữ bằng tay.
- ▶ **Luôn luôn đợi cho máy hoàn toàn ngừng hẳn trước khi đặt xuống.** Dụng cụ lắp vào máy có thể bị kẹp chặt dẫn đến việc dụng cụ điện cầm tay bị mất điều khiển.

## Mô Tả Sản Phẩm và Đặc Tính Kỹ Thuật



**Đọc kỹ mọi cảnh báo an toàn và mọi hướng dẫn.** Không tuân thủ mọi cảnh báo và hướng dẫn được liệt kê dưới đây có thể bị điện giật, gây cháy và/hay bị thương tật nghiêm trọng.

Trong khi đọc các hướng dẫn sử dụng, mở trang gấp hình ảnh máy và để mở nguyên như vậy.

### Dành sử dụng cho

Máy được thiết kế để tháo hoặc bắt vít.

### Biểu trưng của sản phẩm

Sự đánh số các biểu trưng của sản phẩm là để tham khảo hình minh họa của máy trên trang hình ảnh.

- 1 Đầu vít\*
- 2 Bạc lót chặn
- 3 Vòng điều chỉnh của cỡ chặn chiều sâu
- 4 Cỡ chặn chiều sâu
- 5 Móc cài dây thắt lưng
- 6 Nút khoá giữ chế độ tự-chạy của công tắc Tắt/Mở
- 7 Công tắc Tắt/Mở
- 8 Gạc vận chuyển đổi chiều quay
- 9 Tay nắm (bề mặt nắm cách điện)
- 10 Đầu nối phổ thông\*

\*Phụ tùng được trình bày hay mô tả không phải là một phần của tiêu chuẩn hàng hóa được giao kèm theo sản phẩm. Bạn có thể tham khảo tổng thể các loại phụ tùng, phụ kiện trong chương trình phụ tùng của chúng tôi.

## Thông số kỹ thuật

Chia vận vít		GSR 6-25 TE Professional	GSR 6-45 TE Professional	GSR 6-60 TE Professional
Mã số máy		3 601 D45 0..	3 601 D45 1..	3 601 D45 2..
Công suất vào danh định	W	701	701	701
Công suất ra	W	327	327	327
Tốc độ không tải	v/p	0 – 2500	0 – 4500	0 – 6000
Tốc độ danh định	v/p	0 – 1 700	0 – 3000	0 – 4500
Phần lắp dụng cụ		½"Chìa khóa đầu ống sáu cạnh	½"Chìa khóa đầu ống sáu cạnh	½"Chìa khóa đầu ống sáu cạnh
Đường kính vít tối đa	mm	6	6	6
Trọng lượng theo Qui trình EPTA-Procedure 01:2014 (chuẩn EPTA 01:2014)	kg	1.5	1.4	1.4
Cấp độ bảo vệ		□/II	□/II	□/II
Các giá trị đã cho có hiệu lực cho điện thế danh định [U] 230 V. Đối với điện thế thấp hơn và các loại máy dành riêng cho một số quốc gia, các giá trị này có thể thay đổi.				

## Sự lắp vào

### Thay Dụng Cụ (xem hình A)

- ▶ Trước khi tiến hành bất cứ việc gì trên máy, kéo phích cắm điện nguồn ra.

Kéo hết cỡ chặn chiều sâu ra **4** phía trước. Kéo đầu vít gài ra **1**. Nếu cần, đầu cài đa năng **10** cũng có thể được lấy ra và thay thế.

Sau khi thay dụng cụ, lắp cỡ chặn chiều sâu vào lại **4**.

## Vận Hành

### Bắt Đầu Vận Hành

- ▶ Tuân thủ theo đúng điện thế! Điện thế nguồn phải đúng với điện thế đã ghi rõ trên nhãn máy.

### Đảo Chiều Quay

Gạc chuyển đổi chiều quay **8** được sử dụng để đảo lại chiều quay của máy. Tuy nhiên, việc này không thể thực hiện được cùng lúc với công tắc Tắt/Mở **7** đang hoạt động.

**Chiều quay phải:** Để bắt vít vào, đẩy gạc chọn chiều quay **8** hết về bên trái.

**Chiều quay trái:** Đẩy gạc chỉ chiều quay **8** hết về bên phải (để tháo vít).

### Bật Mở và Tắt

Để khởi động máy, nhấn công tắc Tắt/Mở **7** và nhấn giữ xuống.

Để khóa, nhấn công tắc Tắt/Mở **7**, nhấn nút khóa tự-chạy **6** vào.

Để tắt máy, nhả công tắc Tắt/Mở **7** ra hay khi công tắc đã được khóa bằng nút khóa tự-chạy **6**, nhấn nhanh công tắc Tắt/Mở **7** và rời nhả ra.

### Điều chỉnh tốc độ

Tốc độ của dụng cụ điện cầm tay đang hoạt động có thể điều chỉnh thay đổi, tùy theo độ nông sâu của công tắc Tắt/Mở **7** được bóp vào.

Lực nhấn nhẹ lên công tắc Tắt/Mở **7** tạo ra tốc độ quay thấp. Tăng lực nhấn lên công tắc làm tăng tốc độ quay.

### Điều chỉnh Cỡ Sâu BẮT VÀO (xem hình B)

Bằng vòng điều chỉnh **3**, chiều sâu âm vào của đầu vít bắt vào vật gia công có thể chỉnh đặt trước được **8** bằng các bước khóa cho mỗi lần vận giáp vòng. Mỗi bước tương ứng với số 0.25 mm thay đổi độ sâu bắt vào.

Vặn vòng điều chỉnh **3** theo chiều kim đồng hồ để có chiều sâu bắt vít vào lớn hơn; vặn chiều ngược chiều kim đồng hồ làm giảm chiều sâu bắt vít vào.

Thử nghiệm là cách tốt nhất để xác định sự chỉnh đặt cần có.

### Hướng Dẫn Sử Dụng

- ▶ Chỉ được đặt dụng cụ điện cầm tay vào vít khi đã tắt máy. Dụng cụ đang quay có thể bị tuột ra.

Đẩy vít về phía đầu gài bắt vít **1**. Vít được đưa vào đúng vị trí nhờ sức hút của nam châm của đầu gài đa năng **10**. Áp chặt mũi vít vào vật liệu được bắt vít cho đến khi cỡ chặn chiều sâu **4** chạm vào mặt vật gia công.

Mở máy lên. Vít được vặn vào vật liệu cho đến khi thấu tới cỡ chặn chiều sâu đã chỉnh đặt. Sự truyền động được tách ra và phần kẹp dụng cụ không còn quay nữa. Kiểm tra cỡ sâu được bắt vào và điều chỉnh lại nếu thấy cần.

Để tháo vít ra, chỉnh đặt gạc chỉ chiều quay **8** về chiều quay trái và kéo bật cỡ chặn chiều sâu **4** ra phía trước mà không vặn vòng điều chỉnh.

## 28 | Tiếng Việt

Vận hành với cỡ chận chiều sâu 4 cũng có thể được khi phù hợp với chiều sâu bắt vào.

### Móc Cài Dây Thắt Lưng

Với móc cài dây thắt lưng 5, máy có thể cài vào dây thắt lưng. Hai tay người sử dụng không bị vướng bận và máy thì luôn ở bên cạnh.

## Bảo Dưỡng và Bảo Quản

### Bảo Dưỡng Và Làm Sạch

- ▶ Trước khi tiến hành bất cứ việc gì trên máy, kéo phích cắm điện nguồn ra.
- ▶ Để được an toàn và máy hoạt động đúng chức năng, luôn luôn giữ máy và các khe thông gió được sạch.

Nếu như cần phải thay dây dẫn điện thì công việc này phải do hãng Bosch, hay một đại lý được Bosch ủy nhiệm thực hiện để tránh gặp sự nguy hiểm do mất an toàn.

Nếu giả như máy bị trục trặc dù đã được theo dõi cẩn thận trong quá trình sản xuất và đã qua chạy kiểm tra, sự sửa chữa phải do trung tâm bảo hành-bảo trì dụng cụ điện cầm tay Bosch thực hiện.

Trong mọi thư từ giao dịch và đơn đặt hàng phụ tùng, xin vui lòng luôn viết đủ 10 con số đã được ghi trên nhãn máy.

### Dịch Vụ Sau Khi Bán và Dịch Vụ Ứng Dụng

Bộ phận phục vụ hàng sau khi bán của chúng tôi sẽ trả lời các câu hỏi liên quan đến việc bảo trì và sửa chữa các sản phẩm cũng như các phụ tùng thay thế của bạn. Hình ảnh chi tiết và thông tin phụ tùng thay thế có thể tìm hiểu theo địa chỉ dưới đây:

**[www.bosch-pt.com](http://www.bosch-pt.com)**

Bộ phận dịch vụ ứng dụng Bosch sẽ hân hạnh trả lời các câu hỏi liên quan đến các sản phẩm của chúng tôi và linh kiện của chúng.

### Việt Nam

Công ty Trách Nhiệm Hữu Hạn Robert Bosch  
Việt Nam, PT/SVN  
Tầng 10, 194 Golden Building  
473 Điện Biên Phủ  
Phường 25, Quận Bình Thạnh  
Thành Phố Hồ Chí Minh  
Việt Nam  
Tel.: (08) 6258 3690 Ext 413  
Fax: (08) 6258 3692  
[hieu.lagia@vn.bosch.com](mailto:hieu.lagia@vn.bosch.com)  
[www.bosch-pt.com](http://www.bosch-pt.com)

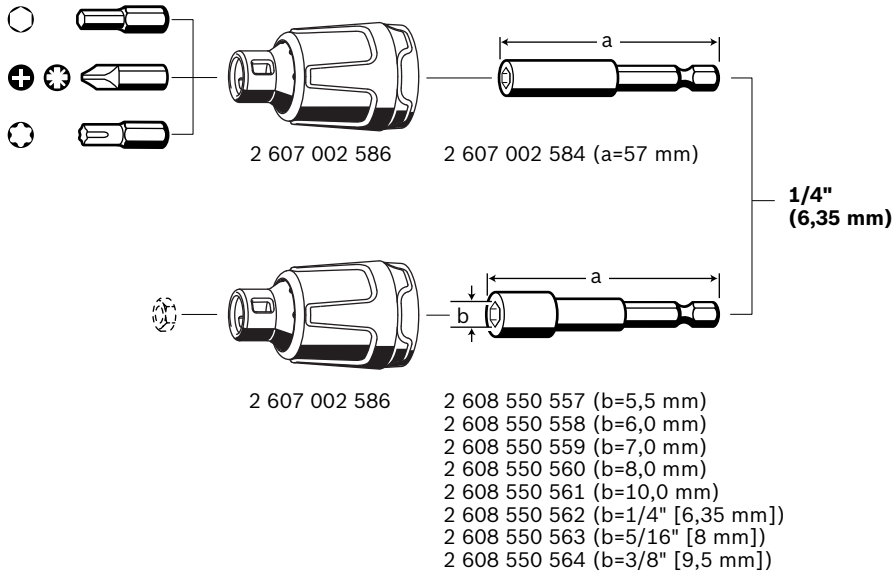
### Thải bỏ

Máy, linh kiện và bao bì phải được phân loại để tái chế theo hướng thân thiện với môi trường.

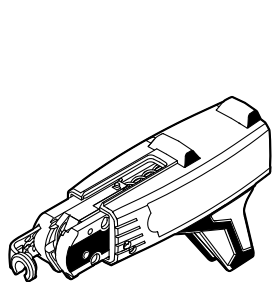
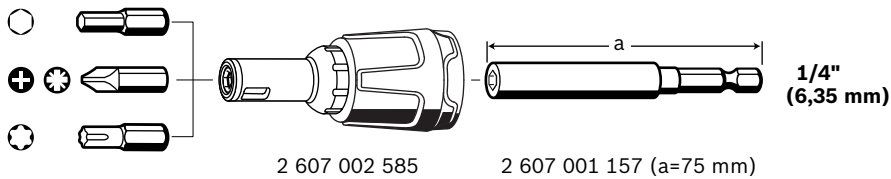
Không được thải bỏ dụng cụ điện vào chung với rác sinh hoạt!

**Được quyền thay đổi nội dung mà không phải thông báo trước.**

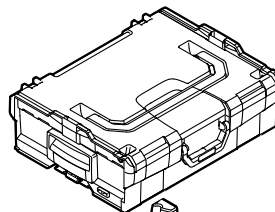
**GSR 6-25 TE**



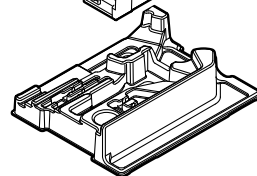
**GSR 6-25 TE / GSR 6-45 TE / GSR 6-60 TE**



1 600 Z00 00Y



2 608 438 692  
(L-BOXX 136)



2 608 438 060