

Robert Bosch Power Tools GmbH
70538 Stuttgart
GERMANY

www.bosch-pt.com

1 609 92A 40W (2017.11) I / 47



1 609 92A 40W

GBH 4-32 DFR Professional

 **BOSCH**

en Original instructions
cn 正本使用说明书
tw 原始使用說明書
ko 사용 설명서 원본
th หนังสือคู่มือการใช้งานฉบับต้นแบบ
id Petunjuk-Petunjuk untuk Penggunaan Orisinal
vi Bản gốc hướng dẫn sử dụng

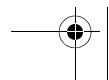
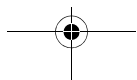
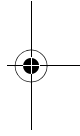


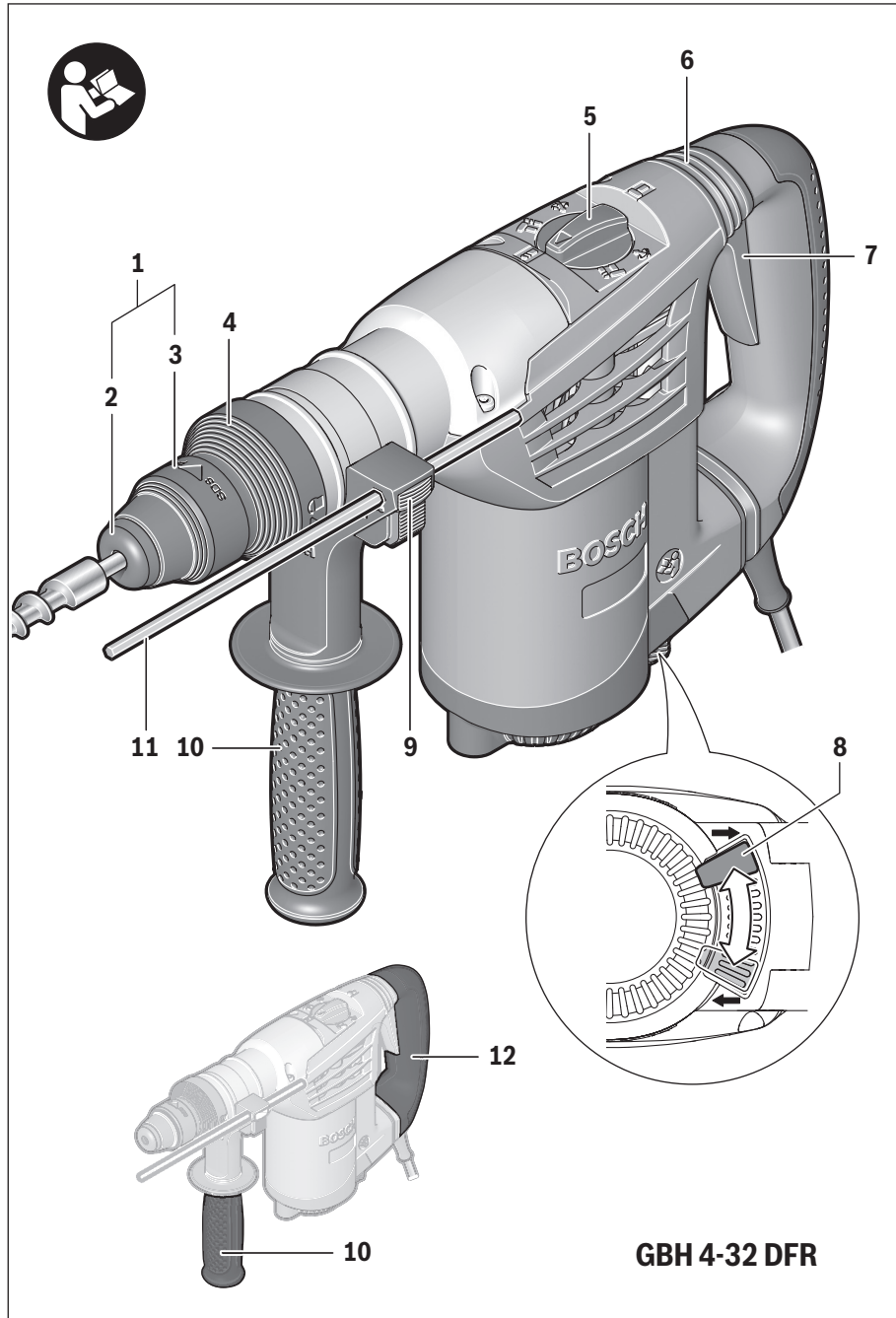


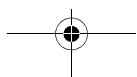
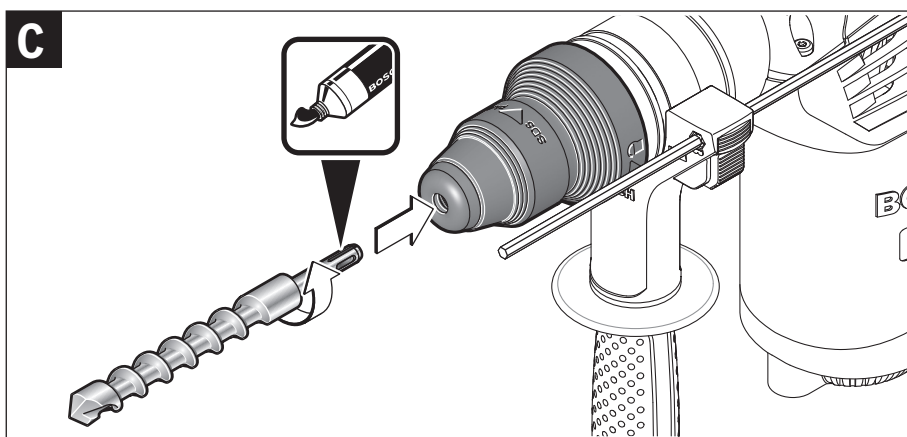
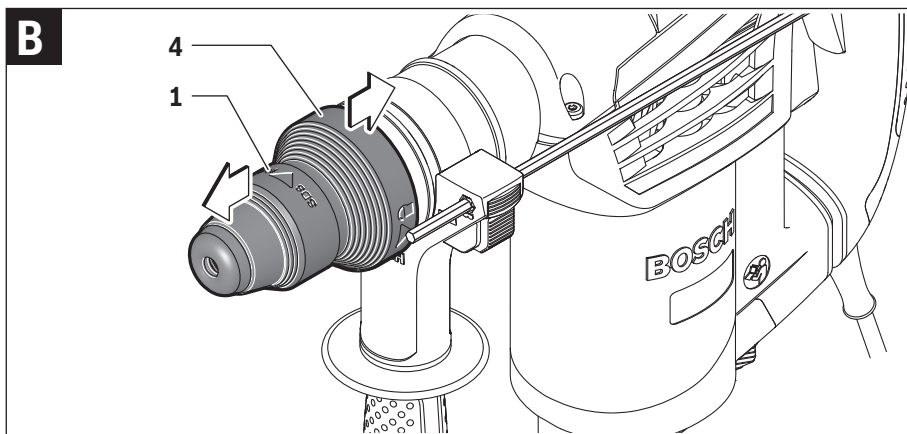
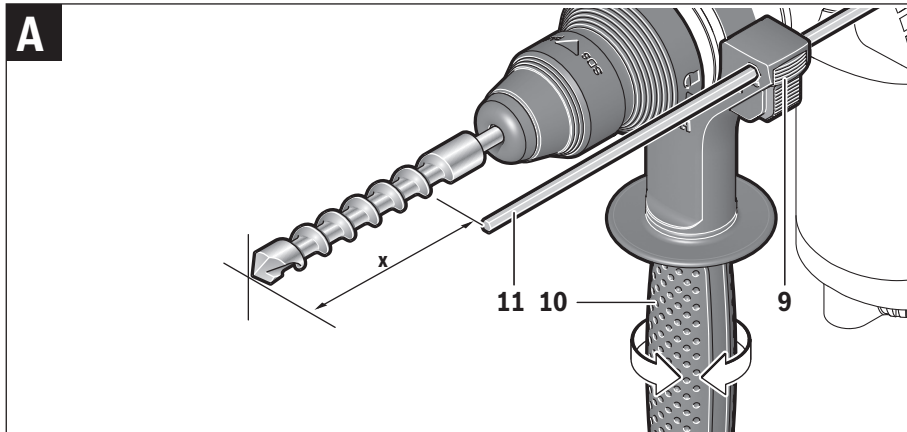
2 |

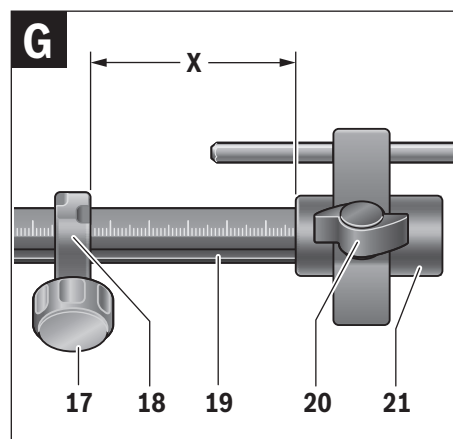
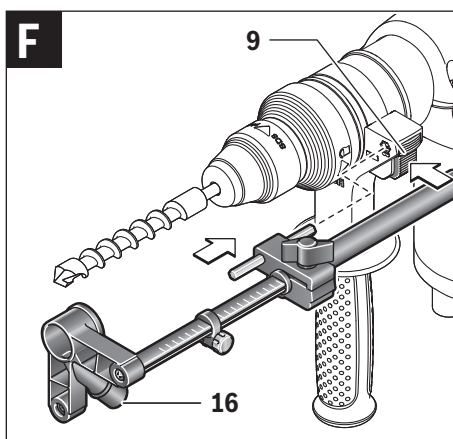
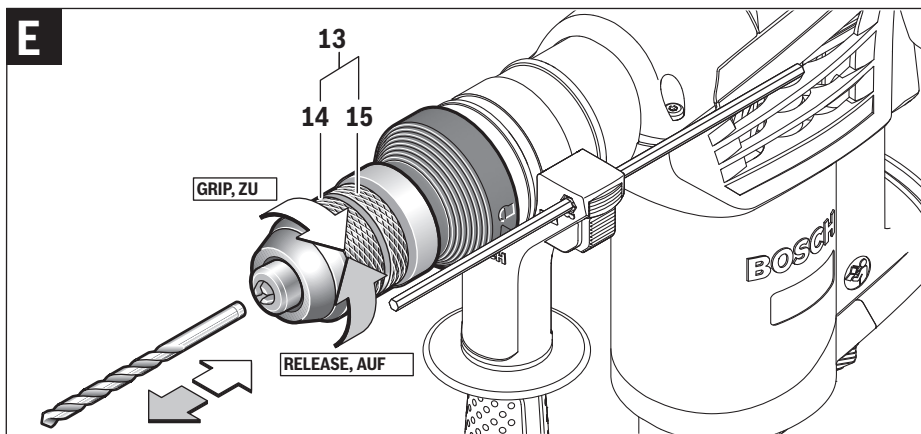
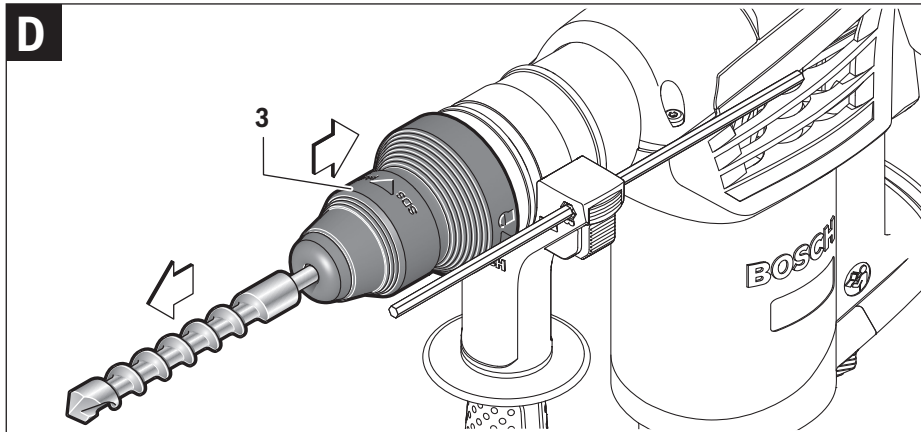


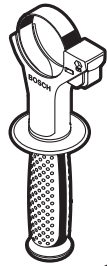
English Page 7
 中文 页 14
 中文 頁 19
 한국어 페이지 24
 ภาษาไทย หน้า 29
 Bahasa Indonesia Halaman 35
 Tiếng Việt Trang 41







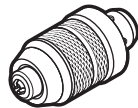




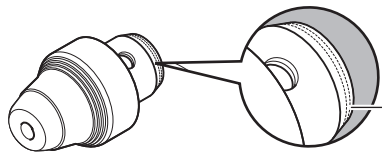
2 602 025 176



1 613 001 003

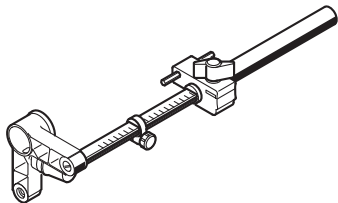


2 608 572 212

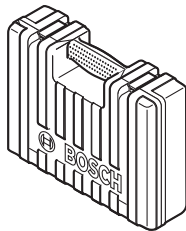


2 608 572 213
SDS-plus Ø 50 mm

!
(2x)



1 607 000 173



2 605 438 651

English

Safety Notes

General Power Tool Safety Warnings

⚠ WARNING Read all safety warnings and all instructions. Failure to follow the warnings and instructions may result in electric shock, fire and/or serious injury.

Save all warnings and instructions for future reference.

The term "power tool" in the warnings refers to your mains-operated (corded) power tool or battery-operated (cordless) power tool.

Work area safety

- ▶ **Keep work area clean and well lit.** Cluttered or dark areas invite accidents.
- ▶ **Do not operate power tools in explosive atmospheres, such as in the presence of flammable liquids, gases or dust.** Power tools create sparks which may ignite the dust or fumes.
- ▶ **Keep children and bystanders away while operating a power tool.** Distractions can cause you to lose control.

Electrical safety

- ▶ **Power tool plugs must match the outlet. Never modify the plug in any way. Do not use any adapter plugs with earthed (grounded) power tools.** Unmodified plugs and matching outlets will reduce risk of electric shock.
- ▶ **Avoid body contact with earthed or grounded surfaces, such as pipes, radiators, ranges and refrigerators.** There is an increased risk of electric shock if your body is earthed or grounded.
- ▶ **Do not expose power tools to rain or wet conditions.** Water entering a power tool will increase the risk of electric shock.
- ▶ **Do not abuse the cord. Never use the cord for carrying, pulling or unplugging the power tool. Keep cord away from heat, oil, sharp edges and moving parts.** Damaged or entangled cords increase the risk of electric shock.
- ▶ **When operating a power tool outdoors, use an extension cord suitable for outdoor use.** Use of a cord suitable for outdoor use reduces the risk of electric shock.
- ▶ **If operating a power tool in a damp location is unavoidable, use a residual current device (RCD) protected supply.** Use of an RCD reduces the risk of electric shock.

Personal safety

- ▶ **Stay alert, watch what you are doing and use common sense when operating a power tool. Do not use a power tool while you are tired or under the influence of drugs, alcohol or medication.** A moment of inattention while operating power tools may result in serious personal injury.
- ▶ **Use personal protective equipment. Always wear eye protection.** Protective equipment such as dust mask, non-skid safety shoes, hard hat, or hearing protection used for appropriate conditions will reduce personal injuries.

- ▶ **Prevent unintentional starting. Ensure the switch is in the off-position before connecting to power source and/or battery pack, picking up or carrying the tool.**

Carrying power tools with your finger on the switch or energising power tools that have the switch on invites accidents.

- ▶ **Remove any adjusting key or wrench before turning the power tool on.** A wrench or a key left attached to a rotating part of the power tool may result in personal injury.
- ▶ **Do not overreach. Keep proper footing and balance at all times.** This enables better control of the power tool in unexpected situations.
- ▶ **Dress properly. Do not wear loose clothing or jewellery. Keep your hair, clothing and gloves away from moving parts.** Loose clothes, jewellery or long hair can be caught in moving parts.
- ▶ **If devices are provided for the connection of dust extraction and collection facilities, ensure these are connected and properly used.** Use of dust collection can reduce dust-related hazards.

Power tool use and care

- ▶ **Do not force the power tool. Use the correct power tool for your application.** The correct power tool will do the job better and safer at the rate for which it was designed.
- ▶ **Do not use the power tool if the switch does not turn it on and off.** Any power tool that cannot be controlled with the switch is dangerous and must be repaired.
- ▶ **Disconnect the plug from the power source and/or the battery pack from the power tool before making any adjustments, changing accessories, or storing power tools.** Such preventive safety measures reduce the risk of starting the power tool accidentally.
- ▶ **Store idle power tools out of the reach of children and do not allow persons unfamiliar with the power tool or these instructions to operate the power tool.** Power tools are dangerous in the hands of untrained users.
- ▶ **Maintain power tools. Check for misalignment or binding of moving parts, breakage of parts and any other condition that may affect the power tool's operation. If damaged, have the power tool repaired before use.** Many accidents are caused by poorly maintained power tools.
- ▶ **Keep cutting tools sharp and clean.** Properly maintained cutting tools with sharp cutting edges are less likely to bind and are easier to control.
- ▶ **Use the power tool, accessories and tool bits etc. in accordance with these instructions, taking into account the working conditions and the work to be performed.** Use of the power tool for operations different from those intended could result in a hazardous situation.

Service

- ▶ **Have your power tool serviced by a qualified repair person using only identical replacement parts.** This will ensure that the safety of the power tool is maintained.

8 | English

Hammer Safety Warnings

- ▶ **Wear ear protectors.** Exposure to noise can cause hearing loss.
- ▶ **Use auxiliary handle(s), if supplied with the tool.** Loss of control can cause personal injury.
- ▶ **Hold power tool by insulated gripping surfaces, when performing an operation where the cutting accessory may contact hidden wiring or its own cord.** Cutting accessory contacting a "live" wire may make exposed metal parts of the power tool "live" and could give the operator an electric shock.
- ▶ **Use suitable detectors to determine if utility lines are hidden in the work area or call the local utility company for assistance.** Contact with electric lines can lead to fire and electric shock. Damaging a gas line can lead to explosion. Penetrating a water line causes property damage or may cause an electric shock.
- ▶ **When working with the machine, always hold it firmly with both hands and provide for a secure stance.** The power tool is guided more secure with both hands.
- ▶ **Secure the workpiece.** A workpiece clamped with clamping devices or in a vice is held more secure than by hand.
- ▶ **Always wait until the machine has come to a complete stop before placing it down.** The tool insert can jam and lead to loss of control over the power tool.

Products sold in GB only: Your product is fitted with an BS 1363/A approved electric plug with internal fuse (ASTA approved to BS 1362).

If the plug is not suitable for your socket outlets, it should be cut off and an appropriate plug fitted in its place by an authorised customer service agent. The replacement plug should have the same fuse rating as the original plug.

The severed plug must be disposed of to avoid a possible shock hazard and should never be inserted into a mains socket elsewhere.

Product Description and Specifications



Read all safety warnings and all instructions. Failure to follow the warnings and instructions may result in electric shock, fire and/or serious injury.

Intended Use

The machine is intended for hammer drilling in concrete, brick and stone, as well as for light chiselling work. It is also suitable for drilling without impact in wood, metal, ceramic and plastic. Machines with electronic control and right/left rotation are also suitable for screwdriving.

Product Features

The numbering of the product features refers to the illustration of the machine on the graphics page.

- 1 SDS-plus tool holder
- 2 Dust protection cap
- 3 Locking sleeve
- 4 Lock ring of the tool holder
- 5 Mode selector switch
- 6 Vibration damper
- 7 On/Off switch
- 8 Rotational direction switch
- 9 Button for depth stop adjustment
- 10 Auxiliary handle (insulated gripping surface)
- 11 Depth stop
- 12 Handle (insulated gripping surface)
- 13 Quick change keyless chuck*
- 14 Front sleeve of the quick change keyless chuck*
- 15 Retaining ring of the quick change keyless chuck*
- 16 Extraction sleeve of the dust extraction attachment*
- 17 Clamping screw for the dust extraction attachment*
- 18 Depth stop of the dust extraction attachment*
- 19 Telescopic pipe of the dust extraction attachment*
- 20 Wing bolt of the dust extraction attachment*
- 21 Guide pipe of the dust extraction attachment*

*Accessories shown or described are not part of the standard delivery scope of the product. A complete overview of accessories can be found in our accessories program.

Technical Data

Rotary Hammer	GBH 4-32 DFR	
Article number		3 611 C32 0.. 3 611 C32 1..
Rated power input	W	900
Rated speed	min ⁻¹	0 – 760
Impact rate	min ⁻¹	0 – 3600
Impact energy per stroke according to EPTA-Procedure 05/2009	J	5.0
Chisel positions		12
Tool holder		SDS-plus
Lubrication		Central permanent lubrication
Max. drilling dia.		
– Concrete (with twist drill)	mm	32
– Brickwork (with core bit)	mm	90
– Steel	mm	13
– Wood	mm	32
Weight according to EPTA-Procedure 01:2014	kg	4.7
Protection class		□/II

The values given are valid for a nominal voltage [U] of 230 V. For different voltages and models for specific countries, these values can vary.

Assembly

- ▶ **Before any work on the machine itself, pull the mains plug.**

Auxiliary Handle

► Operate your machine only with the auxiliary handle 10.

The auxiliary handle **10** can be set to any position for a secure and low-fatigue working posture.

- Turn the bottom part of the auxiliary handle **10** in counter-clockwise direction and swivel the auxiliary handle **10** to the desired position. Then retighten the bottom part of the auxiliary handle **10** by turning in clockwise direction.

Adjusting the Drilling Depth (see figure A)

The required drilling depth **X** can be set with the depth stop **11**.

- Press the button for the depth stop adjustment **9** and insert the depth stop into the auxiliary handle **10**.
- Insert the SDS-plus drilling tool to the stop into the SDS-plus tool holder **1**. Otherwise, the movability of the SDS-plus drilling tool can lead to incorrect adjustment of the drilling depth.
- Pull out the depth stop until the distance between the tip of the drill bit and the tip of the depth stop corresponds with the desired drilling depth **X**.
The knurled surface of the depth stop **11** must face downward.

Selecting the Tool Holder

For hammer drilling, SDS-plus drilling tools that can be inserted into the SDS-plus tool holder **1** are required.

For drilling without impact in wood, metal, ceramic and plastic as well as for screwdriving and tapping, use non-SDS-plus drilling tools (e. g., drill bits with cylindrical shank). A keyless drill chuck is required for such drilling tools.

Note: Do not use tools without SDS-plus for hammer drilling or chiselling! Tools without SDS-plus and their drill chucks are damaged by hammer drilling or chiselling.

The SDS-plus tool holder **1** can easily be exchanged against the quick change keyless chuck **13**.

Changing the Tool Holder

Dismounting the SDS-plus Tool Holder or the Quick change keyless chuck (see figure B)

- Pull the lock ring of the tool holder **4** firmly in the direction of the arrow, hold it in this position and pull off the tool holder **1** or the keyless replacement chuck **13** toward the front.

After removing, protect the tool holder **1** or the quick change keyless chuck **13** against contamination. Lightly lubricate the engaging grooves, if required.

Mounting the SDS-plus Tool Holder or the Quick change keyless chuck (see figure B)

- **Use only model-specific original equipment and pay attention to the number of identification grooves. Only quick-change chucks with two identification grooves are permitted.** When an unsuitable quick-change chuck is used, the application tool could fall out during operation.

- Grasp the tool holder **1** or the keyless replacement chuck **13** completely with your hand. Slide the tool holder **1** or the keyless replacement chuck **13** with a turning motion onto the drill chuck mounting until a distinct latching noise is heard.
- The tool holder **1** or the quick change keyless chuck **13** is automatically locked. Check the locking effect by pulling the tool holder.

Changing the Tool

With the SDS-plus tool holder, simple and convenient tool changing is possible without additional aids.

As a requirement of the system, the SDS-plus drilling tool can move freely. This causes a certain radial run-out at no-load, which has no effect on the accuracy of the drill hole, as the drill bit centres itself upon drilling.

The dust protection cap **2** largely prevents the entry of drilling dust into the tool holder during operation. When inserting the tool, take care that the dust protection cap **2** is not damaged.

- **A damaged dust protection cap should be changed immediately. We recommend having this carried out by an after-sales service.**

Inserting SDS-plus Drilling Tools (see figure C)

- Clean and lightly grease the shank end of the tool.
- Insert the tool in a twisting manner into the tool holder until it latches itself.
- Check the latching by pulling the tool.

Removing SDS-plus Drilling Tools (see figure D)

- Push back the locking sleeve **3** and remove the tool.

Inserting Drilling Tools without SDS-plus (see figure E)

Note: Do not use tools without SDS-plus for hammer drilling or chiselling! Tools without SDS-plus and their drill chucks are damaged by hammer drilling or chiselling.

- Insert the quick change keyless chuck **13**.
- Firmly hold the retaining ring of the quick change keyless chuck **13**. Open the quick change keyless chuck by turning the front sleeve in the direction of the symbol “**RELEASE, AUF**”.
- Insert the drilling tool into the quick change keyless chuck **13**. Firmly hold the retaining ring of the quick change keyless chuck **13** and turn the front sleeve in the direction of the symbol “**GRIP, ZU**”.
- Check the tight seating by pulling the tool.

Note: If the tool holder was opened to the stop, then the latching noise possibly may be heard while closing the tool holder and the tool holder will not close.

In this case, turn the front sleeve **14** once in the opposite direction of the arrow. Afterwards, the tool holder can be closed (tightened) again.

- Turn the mode selector switch **5** to the “drilling” position.

Removing Drilling Tools without SDS-plus (see figure E)

- Firmly hold the retaining ring of the quick change keyless chuck **13**. Open the quick change keyless chuck by turning the front sleeve in the direction of the symbol “**RELEASE, AUF**”.
- Remove the drilling tool.

10 | English

Dust Extraction with the Dust Extraction Attachment (Accessory)

- ▶ Dust from materials such as lead-containing coatings, some wood types, minerals and metal can be harmful to one's health. Touching or breathing-in the dust can cause allergic reactions and/or lead to respiratory infections of the user or bystanders.

Certain dust, such as oak or beech dust, is considered carcinogenic, especially in connection with wood-treatment additives (chromate, wood preservative). Materials containing asbestos may only be worked by specialists.

- As far as possible, use a dust extraction system suitable for the material.
- Provide for good ventilation of the working place.
- It is recommended to wear a P2 filter-class respirator.

Observe the relevant regulations in your country for the materials to be worked.

- ▶ **Prevent dust accumulation at the workplace.** Dust can easily ignite.

Mounting the Dust Extraction Attachment (see figure F)

For dust extraction, the dust extraction attachment (accessory) is required. When drilling, the dust extraction attachment retracts so that the attachment head is always close to the surface at the drill hole.

- Press the button for depth stop adjustment **9** and remove the depth stop **11**. Press button **9** again and insert the dust extraction attachment into the auxiliary handle **10** from the front.
- Connect an extraction hose (diameter 19 mm, accessory) to the extraction sleeve **16** of the dust extraction attachment.

The vacuum cleaner must be suitable for the material being worked.

When vacuuming dry dust that is especially detrimental to health or carcinogenic, use a special vacuum cleaner.

Adjusting the Drilling Depth on the Dust Extraction Attachment (see figure G)

The required drilling depth **X** can also be adjusted when the dust extraction attachment is mounted.

- Insert the SDS-plus drilling tool to the stop into the SDS-plus tool holder **1**. Otherwise, the movability of the SDS-plus drilling tool can lead to incorrect adjustment of the drilling depth.
- Loosen the wing bolt **20** on the dust extraction attachment.
- Without switching the power tool on, apply it firmly to the drilling location. The SDS-plus drilling tool must face against the surface.
- Position the the guide pipe **21** of the dust extraction attachment in its holding fixture in such a manner that the head of the dust extraction attachment faces against the surface to be drilled. Do not slide the guide pipe **21** further over the telescopic pipe **19** of the dust extraction attachment than required, so that as much as possible of the scale **19** on the telescopic pipe remains visible.
- Retighten the wing bolt **20** again. Loosen the clamping screw **17** on the depth stop of the dust extraction attachment.

- Move the depth stop **18** on the telescopic pipe **19** in such a manner that the clearance **X** shown in the figure corresponds with the required drilling depth.
- Tighten the clamping screw **17** in this position.

Operation**Starting Operation**

- ▶ **Observe correct mains voltage! The voltage of the power source must agree with the voltage specified on the nameplate of the machine. Power tools marked with 230 V can also be operated with 220 V.**

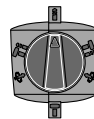
Products sold in AUS and NZ only: Use a residual current device (RCD) with a rated residual current of 30 mA or less.

Setting the operating mode

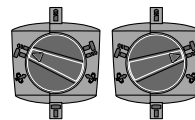
The operating mode of the power tool is selected with the mode selector switch **5**.

Note: Change the operating mode only when the machine is switched off! Otherwise, the machine can be damaged.

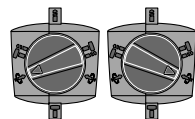
- Turn the mode selector switch **5** to the requested position.



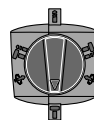
Position for **drilling** without impact in wood, metal, ceramic and plastic as well as for screwdriving



Position for **hammer drilling** in concrete or stone
When the drilling tool does not immediately rotate upon switching on, allow the machine to run slowly until the drilling tool rotates.



Vario-Lock position for adjustment of the chiselling position



Position for **chiselling**

Reversing the rotational direction

- ▶ **Actuate the rotational direction switch **8** only when the machine is at a standstill.**

The rotational direction switch **8** is used to reverse the rotational direction of the machine.

Right rotation: Turn the rotational direction switch **8** to the stop in the position ◀.

Left rotation: Turn the rotational direction switch **8** to the stop in the position ▶.

Set the direction of rotation for hammer drilling, drilling and chiselling always to right rotation.

Switching On and Off

- To **start** the machine, press the On/Off switch **7** and keep it pressed.
- To **switch off** the machine, release the On/Off switch **7**.

For low temperatures, the power tool reaches the full hammer/impact capacity only after a certain time.

Setting the Speed/Impact Rate

The speed/impact rate of the switched on power tool can be variably adjusted, depending on how far the On/Off switch **7** is pressed.

Light pressure on the On/Off switch **7** results in low speed/impact rate. Further pressure on the switch increases the speed/impact rate.

Overload Clutch

- ▶ **If the tool insert becomes caught or jammed, the drive to the drill spindle is interrupted. Because of the forces that occur, always hold the power tool firmly with both hands and provide for a secure stance.**
- ▶ **If the power tool jams, switch the machine off and loosen the tool insert. When switching the machine on with the drilling tool jammed, high reaction torques can occur.**

Changing the Chiselling Position (Vario-Lock)

The chisel can be locked in 13 positions. In this manner, the optimum working position can be set for each application.

- Insert the chisel into the tool holder.
- Turn the mode selector switch **5** to the "Vario-Lock" position (see "Setting the operating mode", page 10).
- Turn the tool holder to the desired chiselling position.
- Turn the mode selector switch **5** to the "chiselling" position. The tool holder is now locked.
- For chiselling, set the rotation direction to right rotation.

Working Advice

- ▶ **Before any work on the machine itself, pull the mains plug.**
- ▶ **Apply the power tool to the screw/nut only when it is switched off.** Rotating tool inserts can slip off.
- ▶ **Hold power tool by insulated gripping surfaces, when performing an operation where the cutting accessory may contact hidden wiring or its own cord.** Cutting accessory contacting a "live" wire may make exposed metal parts of the power tool "live" and could give the operator an electric shock.

Vibration Damper



The integrated vibration damper reduces occurring vibrations.

Maintenance and Service

Maintenance and Cleaning

- ▶ **Before any work on the machine itself, pull the mains plug.**
- ▶ **For safe and proper working, always keep the machine and ventilation slots clean.**
- ▶ **A damaged dust protection cap should be changed immediately. We recommend having this carried out by an after-sales service.**

If the replacement of the supply cord is necessary, this has to be done by Bosch or an authorized Bosch service agent in order to avoid a safety hazard.

After-sales Service and Application Service

Our after-sales service responds to your questions concerning maintenance and repair of your product as well as spare parts. Exploded views and information on spare parts can also be found under:

www.bosch-pt.com

Bosch's application service team will gladly answer questions concerning our products and their accessories.

In all correspondence and spare parts orders, please always include the 10-digit article number given on the nameplate of the product.

Cambodia

Robert Bosch (Cambodia) Co., Ltd
Unit 8BC, GT Tower, 08th Floor, Street 169,
Czechoslovakia Blvd, Sangkat Veal Vong
Khan 7 Makara, Phnom Penh
VAT TIN: 100 169 511
Tel.: +855 23 900 685
Tel.: +855 23 900 660
www.bosch.com.kh

People's Republic of China

China Mainland

Bosch Power Tools (China) Co., Ltd.
567, Bin Kang Road
Bin Jiang District 310052
Hangzhou, P. R. China
Tel.: 4008268484
Fax: (0571) 87774502
E-Mail: contact.ptcn@cn.bosch.com
www.bosch-pt.com.cn

HK and Macau Special Administrative Regions

Robert Bosch Co. Ltd.
21st Floor, 625 King's Road
North Point, Hong Kong
Customer Service Hotline: +852 2101 0235
Fax: +852 2590 9762
E-Mail: info@hk.bosch.com
www.bosch-pt.com.hk

12 | English**India**

Bosch Service Center
69, Habibullah Road, (Next to PSBB School), T. Nagar
Chennai – 600077
Phone: (044) 64561816

Bosch Service Center Rishyamook
85A, Panchkuin Road
New Delhi – 110001
Phone: (011) 43166190

Bosch Service Center
79, Crystal Bldg., Dr. Annie Besant Road, Worli
Mumbai – 400018
Phone: (022) 39569936 / (022) 39569959 /
(022) 39569967 / (022) 24952071

Indonesia

PT Robert Bosch
Palma Tower 10th Floor
Jalan RA Kartini II-S Kaveling 6
Pondok Pinang, Kebayoran Lama
Jakarta Selatan 12310
Tel.: (21) 3005-5800
www.bosch-pt.co.id

Malaysia

Robert Bosch Sdn. Bhd. (220975-V) PT/SMY
No. 8A, Jalan 13/6
46200 Petaling Jaya
Selangor
Tel.: (03) 79663194
Toll-Free: 1800 880188
Fax: (03) 79583838
E-Mail: kiathoe.chong@my.bosch.com
www.bosch-pt.com.my

Pakistan

Robert Bosch Middle East FZE – Pakistan Liaison Office
2nd Floor Plaza # 10, CCA Block, DHA Phase 5
Lahore, 54810
Phone: +92(303)4444311
Email: Faisal.Khan@bosch.com

Philippines

Robert Bosch, Inc.
28th Floor Fort Legend Towers,
3rd Avenue corner 31st Street,
Fort Bonifacio, Global City,
1634 Taguig City
Tel.: (632) 8703871
Fax: (632) 8703870
www.bosch-pt.com.ph

Singapore

Powerwell Service Centre Ptd Ltd
Bosch Authorised Service Centre (Power Tools)
4012 Ang Mo Kio Ave 10, #01-02 TECHplace
Singapore 569628
Tel.: 6452 1770
Fax: 6452 1760
E-Mail: ask@powerwellsc.com
www.powerwellsc.com
www.bosch-pt.com.sg

Thailand

Robert Bosch Ltd.
Liberty Square Building
No. 287, 11 Floor
Silom Road, Bangrak
Bangkok 10500
Tel.: 02 6393111
Fax: 02 2384783
Robert Bosch Ltd., P. O. Box 2054
Bangkok 10501
www.bosch.co.th

Bosch Service – Training Centre
La Salle Tower Ground Floor Unit No.2
10/11 La Salle Moo 16
Srinakharin Road
Bangkaew, Bang Plee
Samutprakarn 10540
Tel.: 02 7587555
Fax: 02 7587525

Vietnam

Branch of Bosch Vietnam Co., Ltd in HCMC
Floor 10, 194 Golden Building
473 Dien Bien Phu Street
Ward 25, Binh Thanh District, Ho Chi Minh City
Tel.: (08) 6258 3690
Fax: (08) 6258 3692
Hotline: (08) 6250 8555
www.bosch-pt.com.vn

Armenia, Azerbaijan, Georgia, Kyrgyzstan, Mongolia, Tajikistan, Turkmenistan, Uzbekistan

TOO "Robert Bosch" Power Tools, After Sales Service
Rayimbek Ave., 169/1
050050, Almaty, Kazakhstan
Service Email: service.pt.ka@bosch.com
Official Website: www.bosch.com, www.bosch-pt.com

Bahrain

Hatem Al Juffali Technical Equipment Establishment.
Kingdom of Bahrain, Setra Highway, Al Aker Area
Phone: +966126971777-311
Fax: +97317704257
Email: h.berjas@ejb.com.sa

Egypt

Unimar
20 Markaz kadmat
El tagmoa EL Aoul – New Cairo
Phone: +20 2224 76091-95
Phone: +20 2224 78072-73
Fax: +20 2224 78075
Email: adelzaki@unimaregypt.com

Iran

Robert Bosch Iran
3rd Floor, No 3, Maadiran Building
Aftab St., Khodami St., Vanak Sq.
Tehran 1994834571
Phone: +9821- 86092057

Iraq

Sahba Technology Group
Al Muthana airport road
Baghdad
Phone: +9647901906953
Phone Dubai: +97143973851
Email: bosch@sahbatechnology.com

Jordan

Roots Arabia – Jordan
Nasser Bin Jameel street, Building 37 Al Rabiah
11194 Amman
Phone: +962 6 5545778
Email: bosch@rootsjordan.com

Kuwait

Al Qurain Automotive Trading Company
Shuwaikh Industrial Area, Block 1, Plot 16, Street 3rd
P.O. Box 164 – Safat 13002
Phone: 24810844
Fax: 24810879
E-mail: josephkr@aaalmutawa.com

Lebanon

Tehini Hana & Co. S.A.R.L.
P.O. Box 90-449
Jdeideh
Dora-Beirut
Phone: +9611255211
Email: service-pt@tehini-hana.com

Libya

El Naser for Workshop Tools
Swanee Road, Alfalah Area
Tripoli
Phone: +218 21 4811184

Oman

Malatan Trading & Contracting LLC
P.O. Box 131
Ruwi, 112 Sultanate of Oman
Phone: +968 99886794
Email: malatanpowertools@malatan.net

Qatar

International Construction Solutions W L L
P. O. Box 51, Doha
Phone: +974 40065458
Fax: +974 4453 8585
Email: csd@icsdoha.com

Saudi Arabia

Juffali Technical Equipment Co. (JTECO)
Kilo 14, Madinah Road, Al Bawadi District
Jeddah 21431
Phone: +966 2 6672222 Ext. 1528
Fax: +966 2 6676308
Email: roland@ejab.com.sa

Syria

Dallal Establishment for Power Tools
P.O. Box 1030
Aleppo
Phone: +963212116083
Email: rita.dallal@hotmail.com

United Arab Emirates

Central Motors & Equipment LLC, P.O. Box 1984
Al-Wahda Street – Old Sana Building
Sharjah
Phone: +971 6 593 2777
Fax: +971 6 533 2269
Email: powertools@centralmotors.ae

Yemen

Abualrejal Trading Corporation
Sana'a Zubieri St. Front to new Parliament Building
Phone: +967-1-202010
Fax: +967-1-279029
Email: tech-tools@abualrejal.com

Ethiopia

Forever plc
Kebele 2,754, BP 4806,
Addis Ababa
Phone: +251 111 560 600
Email: foreverplc@ethionet.et

Ghana

C.WOERMANN LTD.
Nsawam Road/Avenor Junction, P.O. Box 1779
Accra
Phone: +233 302 225 141

Kenya

Robert Bosch East Africa Ltd
Mpaka Road P.O. Box 856
00606 Nairobi

Nigeria

Robert Bosch Nigeria Ltd.
52 – 54 Isaac John Street P.O. Box
GRA Ikeja – Lagos

Republic of South Africa

Customer service
Hotline: (011) 6519600

14 | 中文

Gauteng – BSC Service Centre

35 Roper Street, New Centre
Johannesburg
Tel.: (011) 4939375
Fax: (011) 4930126
E-Mail: bsctools@icon.co.za

KZN – BSC Service Centre

Unit E, Almar Centre
143 Crompton Street
Pinetown
Tel.: (031) 7012120
Fax: (031) 7012446
E-Mail: bsc.dur@za.bosch.com

Western Cape – BSC Service Centre

Democracy Way, Prosperity Park
Milnerton
Tel.: (021) 5512577
Fax: (021) 5513223
E-Mail: bsc@zsd.co.za

Bosch Headquarters

Midrand, Gauteng
Tel.: (011) 6519600
Fax: (011) 6519880
E-Mail: rbsa-hq.pts@za.bosch.com

Tanzania

Diesel & Autoelectric Service Ltd.
117 Nyerere Rd., P.O. Box 70839
Vingunguti 12109, Dar Es Salaam
Phone: +255 222 861 793/794

Australia, New Zealand and Pacific Islands

Robert Bosch Australia Pty. Ltd.
Power Tools
Locked Bag 66
Clayton South VIC 3169
Customer Contact Center
Inside Australia:
Phone: (01300) 307044
Fax: (01300) 307045
Inside New Zealand:
Phone: (0800) 543353
Fax: (0800) 428570
Outside AU and NZ:
Phone: +61 3 95415555
www.bosch-pt.com.au
www.bosch-pt.co.nz

Disposal

The machine, accessories and packaging should be sorted for environmental-friendly recycling.



Do not dispose of power tools into household waste!

Subject to change without notice.

中文**安全规章****电动工具通用安全警告**

警告！ 阅读所有警告和所有说明！不遵照以下警告和说明会导致电击、着火和/或严重伤害。

保存所有警告和说明书以备查阅。

在所有下列的警告中术语“电动工具”指市电驱动（有线）电动工具或电池驱动（无线）电动工具。

工作场地的安全

- ▶ **保持工作场地清洁和明亮。** 混乱和黑暗的场地会引发事故。
- ▶ **不要在易爆环境，如有易燃液体、气体或粉尘的环境下操作电动工具。** 电动工具产生的火花会点燃粉尘或气体。
- ▶ **让儿童和旁观者离开后操作电动工具。** 注意力不集中会使操作者失去对工具的控制。

电气安全

- ▶ **电动工具插头必须与插座相配。** 绝不能以任何方式改装插头。需接地的电动工具不能使用任何转换插头。未经改装的插头和相配的插座将减少电击危险。
- ▶ **避免人体接触接地表面，如管道、散热片和冰箱。** 如果你身体接地会增加电击危险。
- ▶ **不得将电动工具暴露在雨中或潮湿环境中。** 水进入电动工具将增加电击危险。
- ▶ **不得滥用电线。** 绝不能用电线搬运、拉动电动工具或拔出其插头。使电线远离热源、油、锐边或运动部件。受损或缠绕的软线会增加电击危险。
- ▶ **当在户外使用电动工具时，使用适合户外使用的外接软线。** 适合户外使用的软线将减少电击危险。
- ▶ **如果在潮湿环境下操作电动工具是不可避免的，应使用剩余电流动作保护器（RCD）。** 使用RCD可减少电击危险。

人身安全

- ▶ **保持警觉，当操作电动工具时关注所从事的操作并保持清醒。** 当你感到疲倦，或在有药物、酒精或治疗反应时，不要操作电动工具。在操作电动工具时瞬间的疏忽会导致严重人身伤害。
- ▶ **使用个人防护装置。始终佩戴护目镜。** 安全装置，诸如适当条件下使用防尘面具、防滑安全鞋、安全帽、听力防护等装置能减少人身伤害。
- ▶ **防止意外起动。** 确保开关在连接电源和/或电池盒、拿起或搬运工具时处于关断位置。手指放在已接通电源的开关上或开关处于接通时插入插头可能会导致危险。

- ▶ **在电动工具接通之前，拿掉所有调节钥匙或扳手。** 遗留在电动工具旋转零件上的扳手或钥匙会导致人身伤害。
- ▶ **手不要伸展得太长。时刻注意立足点和身体平衡。** 这样在意外情况下能很好地控制电动工具。
- ▶ **着装适当。不要穿宽松衣服或佩戴饰品。让衣服、手套和头发远离运动部件。** 宽松衣服、佩饰或长发可能会卷入运动部件中。
- ▶ **如果提供了与排屑、集尘设备连接用的装置，要确保他们连接完好且使用得当。** 使用这些装置可减少尘屑引起的危险。

电动工具使用和注意事项

- ▶ **不要滥用电动工具，根据用途使用适当的电动工具。** 选用适当设计的电动工具会使你工作更有效、更安全。
- ▶ **如果开关不能接通或关断工具电源，则不能使用该电动工具。** 不能用开关来控制的电动工具是危险的且必须进行修理。
- ▶ **在进行任何调节、更换附件或贮存电动工具之前，必须从电源上拔掉插头和 / 或使电池盒与工具脱开。** 这种防护性措施将减少工具意外起动的危险。
- ▶ **将闲置不用的电动工具贮存在儿童所及范围之外，并且不要让不熟悉电动工具或对这些说明不了解的人操作电动工具。** 电动工具在未经培训的用户手中是危险的。
- ▶ **保养电动工具。检查运动件是否调整到位或卡住，检查零件破损情况和影响电动工具运行的其他状况。如有损坏，电动工具应在使用前修理好。** 许多事故由维护不良的电动工具引发。
- ▶ **保持切削刀具锋利和清洁。** 保养良好的有锋利切削刃的刀具不易卡住而且容易控制。
- ▶ **按照使用说明书，考虑作业条件和进行的作业来使用电动工具、附件和工具的刀头等。** 将电动工具用于那些与其用途不符的操作可能会导致危险。

维修

- ▶ **将你的电动工具送交专业维修人员，使用同样的备件进行修理。** 这样将确保所维修的电动工具的安全性。

锤类工具的安全警告

- ▶ **戴好耳罩。** 暴露在噪声中会引起听力损伤。
- ▶ **使用随工具提供的辅助手柄。** 操作失手会引起人身伤害。
- ▶ **在切削附件可能触及暗线或其自身软线之处进行操作时，要通过绝缘握持面来握持工具。** 切削附件碰到带电导线会使工具外露的金属零件带电从而使操作者受到电击。
- ▶ **使用合适的探测装置侦察隐藏的电线，或者向当地的相关单位寻求支援。** 接触电线可能引起火灾并让

操作者触电。损坏了瓦斯管会引起爆炸。凿穿水管不仅会造成严重的财物损失，也可能导致触电。

- ▶ **工作时必须用双手握紧电动工具，并且要确保立足稳固。** 使用双手比较能够握稳电动工具。
- ▶ **固定好工件。** 使用固定装置或老虎钳固定工件，会比用手握工件更牢固。
- ▶ **等待电动工具完全静止后才能够放下机器。** 机器上的工具可能在工作中被夹住，而令您无法控制电动工具。

产品和功率描述



阅读所有的警告提示和指示。 如未确实遵循警告提示和指示，可能导致电击、火灾并且 / 或其他的严重伤害。

按照规定使用机器

本电动工具适合在混凝土、砖头和石块上进行锤钻以及从事简单的凿击工作。另外也可以在木材、金属、陶材和塑料上进行无冲击功能的钻孔作业。有电子调速和正 / 逆转功能的电动工具，也可以进行拧转作业。

插图上的机件

机件的编号和电动工具详解图上的编号一致。

- 1 SDS- plus (四坑系统) 工具接头
- 2 防尘盖
- 3 锁定套筒
- 4 工具接头的锁定环套
- 5 冲击 / 转动停止开关
- 6 减震装置
- 7 起停开关
- 8 正逆转开关
- 9 调整深度尺的按键
- 10 辅助手柄 (绝缘握柄)
- 11 深度尺
- 12 手柄 (绝缘握柄)
- 13 快速夹头 *
- 14 快速夹的头前套筒 *
- 15 快速夹头的固定环 *
- 16 吸尘装备 (Saugfix) 的吸孔 *
- 17 吸尘装备 (Saugfix) 的拧紧螺丝 *
- 18 吸尘装备 (Saugfix) 的深度挡块 *
- 19 吸尘装备 (Saugfix) 的伸缩尺 *
- 20 吸尘装备 (Saugfix) 的蝶翼螺丝 *
- 21 吸尘装备 (Saugfix) 的导管 *

* 图表或说明上提到的附件，并不包含在基本的供货范围中。本公司的附件清单中有完整的附件供应项目。

16 | 中文

技术数据

锤钻		GBH 4-32 DFR	
物品代码		3 611 C32 0..	
		3 611 C32 1..	
额定输入功率	瓦		900
额定转速	次 / 分		0 - 760
冲击次数	次 / 分		0 - 3600
单一冲击强度符合 EPTA-Procedure 05/2009 的规定	焦耳		5,0
凿头位置			12
工具夹头		SDS-plus	(四坑系统)
润滑		中央控制的持续	润滑
最大钻孔直径			
- 混凝土 (使用麻花钻头)	毫米		32
- 土墙 (使用空心钻头)	毫米		90
- 钢	毫米		13
- 木材	毫米		32
重量符合 EPTA-Procedure 01:2014	公斤		4,7
绝缘等级			□/II

本说明书提供的参数是以 230 V 为依据, 于低电压地区, 此数据有可能不同。

安装

- ▶ **维修电动工具或换装零、配件之前, 务必从插座上拔出插头。**

辅助手柄

- ▶ **操作电动工具时务必使用辅助手柄 10。**

您可以根据需要改变辅助手柄 10 的位置, 以提高工作安全和增加工作的舒适性。

- 朝著逆时针方向转动辅助手柄 10。把辅助手柄 10 摆动到需要的位置。接著再朝顺时针方向转紧辅助手柄 10。

调整钻深 (参考插图 A)

使用深度尺 11 可以设定需要的钻深 X。

- 按下调整深度尺的按键 9, 再把深度尺装入辅助手柄 10 中。
- 把 SDS-plus (四坑系统) 工具插入 SDS-plus (四坑系统) 接头 1 中, 并把工具推到底。如果未安装好工具, 会影响设定深度的准确性。
- 适当调整深度尺, 从钻咀尖端到深度尺尖端的距离必须和需要的钻深 X 一致。深度尺 11 上的肋纹必须朝下。

选择工具接头

进行震动钻时必须使用能够安装在 SDS-plus (四坑系统) - 工具接头 1 上的 SDS-plus (四坑系统) - 工具。

在木材, 金属, 陶材和塑料上进行无震动功能的正常钻, 以及拧转螺丝和攻丝时, 必须使用无 SDS-plus 的工具 (例如带圆柱柄的钻头)。上述工具必须配合快速夹头一起使用。

指示: 不可以使用无 SDS-plus (四坑系统) 系统的工具进行锤钻和凿削! 没有 SDS-plus (四坑系统) 系统的工具和夹头会在进行锤钻和凿削时受损。

您可以轻易地更换 SDS-plus (四坑系统) 工具接头 1 和快速夹头 13。

更换工具接头

拆卸 SDS-plus (四坑系统) 工具接头或快速夹头 (参考插图 B)

- 朝著箭头的方向用力抽拉工具接头的锁定环套 4 並握住环套, 接著便可以向前拔出 SDS-plus (四坑系统) 工具接头 1 或快速夹头 13。

保护被拆下的工具接头 1 或快速夹头 13 免受污垢沾染。必要时得在带动齿上涂抹少许油脂。

安装工具接头或快速夹头 (参考插图 B)

- ▶ **指示只能使用特别针对各个机型的原始装备, 同时也要注意识别槽的数目。只能使用有两道识别槽的夹头。** 使用了不合适的夹头, 夹头会在操作中掉落。

- 握住 SDS-plus (四坑系统) 工具接头 1 或快速夹头 13, 把工具接头 1 或快速夹头 13 拧入接头中直至能够清楚地听到卡牢声响为止。
- 此时工具接头 1 或快速夹头 13 已经自动锁定。但是仍要抽拉工具接头, 检查接头是否已经正确套紧。

更换工具

有了 SDS-plus (四坑系统) 工具接头, 不必使用辅助工具也可以快速便利地安装钻头。

SDS-plus (四坑系统) 系统的工具是活动的, 因此在无负载状态下此类工具会偏心旋转。开始钻孔时工具便会自动定心, 所以上述现象并不会影响钻孔的准确度。

防尘盖 2 可以防止工作时凿削废尘侵入夹头中。安装工具时必须小心, 勿损坏防尘盖 2。

- ▶ **如果防尘盖损坏了必须马上更换。最好委托本公司的顾客服务处换装。**

安装 SDS-plus (四坑系统) 工具 (参考插图 C)

- 清洁工具柄并在柄上塗少许润滑脂。
- 把工具转入工具夹头中, 至工具自动锁牢为止。
- 抽拉工具以确定它是否正确锁紧了。

拆卸 SDS- plus (四坑系统) 工具 (参考插图 D)

- 向后推移锁定套筒 3 并取出工具。

安装无 SDS- plus (四坑系统) 的工具 (参考插图 E)

指示： 不可以使用无 SDS- plus (四坑系统) 系统的工具进行锤钻和凿削！没有 SDS- plus (四坑系统) 系统的工具和夹头会在进行锤钻和凿削时受损。

- 装上快速夹头 13。
- 握牢快速夹头 13 上的固定环。朝着符号 "RELEASE, AUF" 的方向拧转前套筒，便可以打开工具接头。
- 把工具插入快速夹头 13 中。握牢快速夹头 13 上的固定环。朝着符号 "GRIP, ZU" 的方向拧转前套筒。
- 以抽拉的方式，检查工具是否已经装牢了。

指示： 当工具夹头被完全打开之后如果想再度关闭夹头，可能发生只听到棘轮的摩擦声却无法关闭夹头的情况。

此时必须朝着箭头的相反方向转动前套筒 14，接着便能够再度关闭夹头。

- 把冲击 / 转动停止开关 5 拧转到 "正常钻" 的位置。

拆卸无 SDS- plus (四坑系统) 的工具 (参考插图 E)

- 握牢快速夹头 13 上的固定环。朝着符号 "RELEASE, AUF" 的方向拧转前套筒，便可以打开工具接头。
- 拿出工具。

使用吸尘装备 (Saugfix) 吸尘 (附件)

- ▶ 含铅的颜料以及某些木材、矿物和金属的加工废尘有害健康。机器操作者或者工地附近的人如果接触、吸入这些废尘，可能会有过敏反应或者感染呼吸道疾病。

某些尘埃（例如加工橡木或山毛榉的废尘）可能致癌，特别是和处理木材的添加剂（例如木材的防腐剂等）结合之后。只有经过专业训练的人才能够加工含石棉的物料。

- 尽可能使用适合物料的吸尘装置。
- 工作场所要保持空气流通。
- 最好佩戴 P2 滤网等级的口罩。

请留心并遵守贵国和加工物料有关的法规。

- ▶ **避免让工作场所堆积过多的尘垢。** 尘埃容易被点燃。

安装吸尘装备 (Saugfix) (参考插图 F)

吸尘装备 Saugfix (附件) 是用来吸取钻孔时产生的废尘。当钻头吃入工件中时吸尘装备会向后回缩，这样可以确保吸尘装备能够紧贴着工件表面。

- 按住辅助手柄上的按键 9，拔出深度尺 11。再度按下按键 9，把吸尘装备从机器前端插入辅助把手 10 中。
- 在吸尘装备的吸孔 16 上安装吸尘软管（管直径 19 毫米，附件）。

根据工件的物料选择合适的吸尘装置。

吸尘可能危害健康，可能导致癌症或干燥的废尘时，务必使用特殊的吸尘装置。

在吸尘装备上设定钻孔深度 (参考插图 G)

安装了吸尘装备后也能够设定钻孔深度 X。

- 把 SDS- plus (四坑系统) 工具插入 SDS- plus (四坑系统) 接头 1 中，并把工具推到底。如果未安装好工具，会影响设定深度的准确性。
- 松开吸尘装备上的蝶翼螺丝 20。
- 把尚未开动的电动工具紧紧地顶在工件上。
- SDS- plus (四坑系统) - 工具也必须紧贴着工件。
- 推移吸尘装备的导管 21，让装备的顶端能够靠在钻孔表面上。不可以过度推出导管 21，这样可能遮盖了伸缩尺 19 上的刻度。尽可能充分利用伸缩尺 19 上的刻度。
- 收紧蝶翼螺丝 20。放松吸尘装备上深度挡块的拧紧螺丝 17。
- 调整伸缩尺 19 上的深度档块 18 的位置以设定钻深。插图中的线段长度 X 便是实际需要的钻孔深度。
- 拧紧螺丝 17 把挡块固定在这个位置。

操作**操作机器**

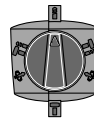
- ▶ **注意电源的电压！** 电源的电压必须和电动工具铭牌上标示的电压一致。

设定操作模式

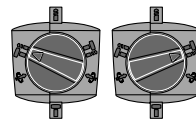
使用冲击 / 转动停止开关 5 设定电动工具的操作功能。

指示： 务必先关闭电动工具，然后才可以改变操作功能！否则会损坏电动工具。

- 把冲击 / 转动停止开关 5 拧转到需要的设定位置上。



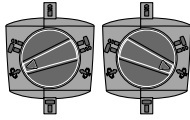
在木材，金属，陶材和塑料上进行无震动功能的 **正常钻** 以及拧转螺丝时的设定位置



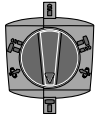
在混凝土或石材上进行**震动钻**时的设定方式

开动机器时如果工具没有马上转动，先让电动工具以低转速运转至工具被带动为止。

18 | 中文



Vario-Lock，改变凿头的开关位置



进行凿削时的开关位置

改变转向

- ▶ 在电动工具完全静止时才可以**使用正逆转开关 8**。

使用正逆转开关 8 可以改变电动工具的转向。

正转：把正逆转开关 8 拧转到尽头，并让它停留在以下的位置 ←。

逆转：把正逆转开关 8 拧转到尽头，并让它停留在以下的位置 →。

进行震动钻、正常钻和凿削时，都必须把转向设定为正转。

启动 / 关闭

- 操作电动工具时先按下电动工具的起停开关 7，并持续按着。
- 放开起停开关 7 便可以**关闭**电动工具。

在低温的工作环境中，必须经过短暂的暖机，然后电动工具 才能够发挥最大的锤击功率 / 冲击功率。

调整转速 / 冲击次数

随著在起停开关 7 上施压大小，可以无级式地提高或降低转速 / 冲击次数。

轻按起停开关 7，机器以低转速 / 冲击次数运作。增强施加在起停开关上的压力，可以提高机器的转速 / 冲击次数。

过载离合器

- ▶ 如果工具卡住了，传往主轴的动力会中断。此时会产生非常大的震动力。因此操作机器时**务必要用双手握紧机器，并且要确保立足稳固**。
- ▶ 如果电动工具卡住了，先关闭电动工具，再取出工具。启动工具被卡住的电动工具，会产生很高的反应力矩。

改变凿头位置 (Vario-Lock)

凿头有 13 个不同的锁定位置。如此可确保最佳的工作姿势。

- 把凿头装入工具夹头中。
- 把冲击 / 转动停止开关 5 拧转到 "Vario-Lock" 的设定位置上 (参考 "设定操作模式"，第 17 页)。
- 把凿头旋转到需要的工作位置上。

- 把冲击 / 转动停止开关 5 拧转到 "凿削" 功能的位置上。此时工具会自动被锁定。
- 进行凿削时必须把转向设定为正转。

有关操作方式的指点

- ▶ **维修电动工具或换装零、配件之前，务必从插座上拔出插头。**
- ▶ **先关闭电动工具，然后再把工具放置在螺母 / 螺丝上。** 安装在接头上的工具如果仍继续转动，容易从螺丝头上滑开。
- ▶ **在切削附件可能触及暗线或其自身软线之处进行操作时，要通过绝缘握持面来握持工具。** 切削附件碰到带电导线会使工具外露的金属零件带电从而使操作者受到电击。

减震装置



内建的减震系统，能够减轻工作时产生的震动。

维修和服务

维修和清洁

- ▶ **维修电动工具或换装零、配件之前，务必从插座上拔出插头。**
- ▶ **电动工具和通风间隙都必须保持清洁，这样才能够提高工作品质和安全性。**
- ▶ **如果防尘盖损坏了必须马上更换。最好委托本公司的顾客服务处换装。**

如果必须更换连接线，务必把这项工作交给博世或者经授权的博世电动工具顾客服务执行，以避免危害机器的安全性能。

顾客服务处和顾客咨询中心

本公司顾客服务处负责回答有关本公司产品的修理、维护和备件的问题。以下的网页中有爆炸图和备件的资料：

www.bosch-pt.com

博世顾客咨询团队非常乐意为您解答有关本公司产品及附件的问题。

如需查询和订购备件，请务必提供产品型号铭牌上的 10 位数货号。

有关保证，维修或更换零件事宜，请向合格的经销商查询。

中国大陆

博世电动工具（中国）有限公司
 中国 浙江省 杭州市
 滨江区滨康路 567 号
 邮政编码：310052
 免费服务热线：4008268484
 传真：(0571) 87774502
 电邮：contact_ptcn@cn.bosch.com
 www.bosch-pt.com.cn

羅伯特·博世有限公司
 香港北角英皇道 625 號 21 樓
 客戶服務熱線：+852 2101 0235
 傳真：+852 2590 9762
 電郵：info@hk.bosch.com
 網站：www.bosch-pt.com.hk

制造商地址：

Robert Bosch Power Tools GmbH
 羅伯特·博世电动工具有限公司
 70538 Stuttgart / GERMANY
 70538 斯图加特 / 德国

处理废弃物

必须以符合环保的方式，回收再利用损坏的机器、附件和废弃的包装材料。



不可以把电动工具丢入家庭垃圾中！

保留修改权。

中文**安全規章****電動工具通用安全警告**

警告 閱讀所有警告和所有說明。不遵照以下警告和說明會導致電擊、著火和/或嚴重傷害。

保存所有警告和說明書以備查閱。

在所有下列的警告中術語“電動工具”指市電驅動（有線）電動工具或電池驅動（無線）電動工具。

工作場地的安全

- ▶ 保持工作場地清潔和明亮。混亂和黑暗的場地會引發事故。
- ▶ 不要在易爆環境，如有易燃液體、氣體或粉塵的環境下操作電動工具。電動工具產生的火花會點燃粉塵或氣體。

- ▶ 讓兒童和旁觀者離開後操作電動工具。注意力不集中會使你失去對工具的控制。

電氣安全

- ▶ 電動工具插頭必須與插座相配。絕不能以任何方式改裝插頭。需接地的電動工具不能使用任何轉換插頭。未經改裝的插頭和相配的插座將減少電擊危險。
- ▶ 避免人體接觸接地表面，如管道、散熱片和冰箱。如果你身體接地會增加電擊危險。
- ▶ 不得將電動工具暴露在雨中或潮濕環境中。水進入電動工具將增加電擊危險。
- ▶ 不得濫用電線。絕不能用電線搬運、拉動電動工具或拔出其插頭。使電線遠離熱源、油、銳邊或運動部件。受損或纏繞的軟線會增加電擊危險。
- ▶ 當在戶外使用電動工具時，使用適合戶外使用的外接軟線。適合戶外使用的軟線，將減少電擊危險。
- ▶ 如果在潮濕環境下操作電動工具是不可避免的，應使用剩餘電流動作保護器（RCD）。使用 RCD 可減少電擊危險。

人身安全

- ▶ 保持警覺，當操作電動工具時關注所從事的操作並保持清醒。當你感到疲倦，或在有藥物、酒精或治療反應時，不要操作電動工具。在操作電動工具時瞬間的疏忽會導致嚴重人身傷害。
- ▶ 使用個人防護裝置。始終佩戴護目鏡。安全裝置，諸如適當條件下使用防塵面具、防滑安全鞋、安全帽、聽力防護等裝置能減少人身傷害。
- ▶ 防止意外起動。確保開關在連接電源和/或電池盒、拿起或搬運工具時處於關斷位置。手指放在已接通電源的開關上或開關處於接通時插入插頭可能會導致危險。
- ▶ 在電動工具接通之前，拿掉所有調節鑰匙或扳手。遺留在電動工具旋轉零件上的扳手或鑰匙會導致人身傷害。
- ▶ 手不要伸展得太長。時刻注意立足點和身體平衡。這樣在意外情況下能很好地控制電動工具。
- ▶ 著裝適當。不要穿寬鬆衣服或佩戴飾品。讓你的衣服、手套和頭髮遠離運動部件。寬鬆衣服、佩飾或長髮可能會捲入運動部件中。
- ▶ 如果提供了與排屑、集塵設備連接用的裝置，要確保他們連接完好且使用得當。使用這些裝置可減少塵屑引起的危險。

電動工具使用和注意事項

- ▶ 不要濫用電動工具，根據用途使用適當的電動工具。選用適當設計的電動工具會使你工作更有效、更安全。
- ▶ 如果開關不能接通或關斷工具電源，則不能使用該電動工具。不能用開關來控制的電動工具是危險的且必須進行修理。

20 | 中文

- ▶ 在進行任何調節、更換附件或貯存電動工具之前，必須從電源上拔掉插頭和/或使電池盒與工具脫開。這種防護性措施將減少工具意外起動的危險。
- ▶ 將閒置不用的電動工具貯存在兒童所及範圍之外，並且不要讓不熟悉電動工具或對這些說明不瞭解的人操作電動工具。電動工具在未經培訓的用戶手中是危險的。
- ▶ 保養電動工具。檢查運動件是否調整到位或卡住，檢查零件破損情況和影響電動工具運行的其他狀況。如有損壞，電動工具應在使用前修理好。許多事故由維護不良的電動工具引發。
- ▶ 保持切削刀具鋒利和清潔。保養良好的有鋒利切削刃的刀具不易卡住而且容易控制。
- ▶ 按照使用說明書，考慮作業條件和進行的作業來使用電動工具、附件和工具的刀頭等。將電動工具用於那些與其用途不符的操作可能會導致危險。

檢修

- ▶ 將你的電動工具送交專業維修人員，必須使用同樣的備件進行更換。這樣將確保所維修的電動工具的安全性。

針對電鎚的安全規章

- ▶ 佩戴耳罩。工作噪音會損壞聽力。
- ▶ 如果電動工具提供了輔助手柄便要使用它。操作時失控可能導致傷害。
- ▶ 如果安裝在此裝置上的切割配件可能會在作業期間割到暗藏的電線或自身的電源線，請務必從裝置握把上的絕緣處來握住該裝置。切割配件萬一接觸到帶電導線，可能會連帶使裝置上的金屬部件帶電，進而導致操作者觸電。
- ▶ 使用合適的偵測裝置偵察隱藏的電線，或者向當地的相關單位尋求支援。接觸電線可能引起火災並讓操作者觸電。損壞了瓦斯管會引起爆炸。鑿穿水管不僅會造成嚴重的財物損失，也可能導致觸電。
- ▶ 工作時必須用雙手握緊電動工具，並且要確保立足穩固。使用雙手比較能夠握穩電動工具。
- ▶ 固定好工件。使用固定裝置或老虎鉗固定工件，會比用手持握工件更牢固。
- ▶ 等待電動工具完全靜止後才能夠放下機器。機器上的工具可能在工作中被夾住，而令您無法控制電動工具。

產品和功率描述



閱讀所有的警告提示和指示。如未確實遵循警告提示和指示，可能導致電擊、火災並且/或其他的嚴重傷害。

按照規定使用機器

本電動工具適合在混凝土、磚頭和石塊上進行錘鑽以及從事簡單的鑿擊工作。另外也可以在木材、金屬、陶材和塑料上進行無沖擊功能的鑽孔作業。有電子調速和正/逆轉功能的電動工具，也可以進行擰轉作業。

插圖上的機件

機件的編號和電動工具詳解圖上的編號一致。

- 1 SDS-plus (四坑系統) 工具接頭
- 2 防塵蓋
- 3 鎖定套筒
- 4 工具接頭的鎖定環套
- 5 沖擊/轉動停止開關
- 6 減震裝置
- 7 起停開關
- 8 正逆轉開關
- 9 調整深度尺的按鍵
- 10 輔助手柄 (絕緣握柄)
- 11 深度尺
- 12 手柄 (絕緣握柄)
- 13 快速夾頭*
- 14 快速夾的頭前套筒*
- 15 快速夾頭的固定環*
- 16 吸塵裝備 (Saugfix) 的吸孔*
- 17 吸塵裝備 (Saugfix) 的擰緊螺絲*
- 18 吸塵裝備 (Saugfix) 的深度擋塊*
- 19 吸塵裝備 (Saugfix) 的伸縮尺*
- 20 吸塵裝備 (Saugfix) 的蝶翼螺絲*
- 21 吸塵裝備 (Saugfix) 的導管*

*圖表或說明上提到的附件，並不包含在基本的供貨範圍中。本公司的附件清單中有完整的附件供應項目。

技術性數據

鎚鑽	GBH 4-32 DFR	
物品代碼	3 611 C32 0..	
	3 611 C32 1..	
額定輸入功率	瓦	900
額定轉速	次 / 分	0 - 760
沖擊次數	次 / 分	0 - 3600
單一衝擊強度符合 EPTA-Procedure 05/2009 的規定	焦耳	5,0
鑿頭位置		12
工具夾頭		SDS-plus (四坑系統)
潤滑		中央控制的持續潤滑

本說明書提供的參數是以 230 伏特為依據，於低電壓地區，此數據有可能不同。

鑿鑽		GBH 4-32 DFR	
最大鑽孔直徑			
- 混凝土 (使用麻花鑽頭)	毫米		32
- 土牆 (使用空心鑽頭)	毫米		90
- 鋼	毫米		13
- 木材	毫米		32
重量符合 EPTA-Procedure 01:2014	公斤		4,7
絕緣等級			□/II
本說明書提供的參數是以 230 伏特為依據，於低電壓地區，此數據有可能不同。			

安裝

- ▶ **維修電動工具或換裝零、配件之前，務必從插座上拔出插頭。**

輔助手柄

- ▶ **操作電動工具時務必使用輔助手柄 10。**

您可以根據需要改變輔助手柄 10 的位置，以提高工作安全和增加工作的舒適性。

- 朝著逆時針方向轉動輔助手柄 10。把輔助手柄 10 擺動到需要的位置。接著再朝順時針方向轉緊輔助手柄 10。

調整鑽深 (參考插圖 A)

使用深度尺 11 可以設定需要的鑽深 X。

- 按下調整深度尺的按鍵 9，再把深度尺裝入輔助手柄 10 中。
- 把 SDS-plus (四坑系統) 工具插入 SDS-plus (四坑系統) 接頭 1 中，並把工具推到底。如果未安裝好工具，會影響設定深度的準確性。
- 適當調整深度尺，從鑽咀尖端到深度尺尖端的距離必須和需要的鑽深 X 一致。深度尺 11 上的肋紋必須朝下。

選擇工具接頭

進行震動鑽時必須使用能夠安裝在 SDS-plus (四坑系統) - 工具接頭 1 上的 SDS-plus (四坑系統) - 工具。

在木材，金屬，陶材和塑料上進行無震動功能的正常鑽，以及擰轉螺絲和攻絲時，必須使用無 SDS-plus 的工具 (例如帶圓柱柄的鑽頭)。上述工具必須配合快速夾頭一起使用。

指示： 不可以使用無 SDS-plus (四坑系統) 系統的工具進行錘鑽和鑿削！沒有 SDS-plus (四坑系統) 系統的工具和夾頭會在進行錘鑽和鑿削時受損。

您可以輕易地更換 SDS-plus (四坑系統) 工具接頭 1 和快速夾頭 13。

更換工具接頭

拆卸 SDS-plus (四坑系統) 工具接頭或快速夾頭 (參考插圖 B)

- 朝著箭頭的方向用力抽拉工具接頭的鎖定環套 4 並握住環套，接著便可以向前拔出 SDS-plus (四坑系統) 工具接頭 1 或快速夾頭 13。

保護被拆下的工具接頭 1 或快速夾頭 13 免受污垢沾染。必要時得在帶動齒上塗抹少許油脂。

安裝工具接頭或快速夾頭 (參考插圖 B)

- ▶ **指示** 只能使用特別針對各個機型的原始裝備，同時也要注意識別槽的數目。只能使用有兩道識別槽的夾頭。使用了不合適的夾頭，夾頭會在操作中途掉落。

- 握住 SDS-plus (四坑系統) 工具接頭 1 或快速夾頭 13，把工具接頭 1 或快速夾頭 13 擰入接頭中直至能夠清楚地聽到卡牢聲響為止。
- 此時工具接頭 1 或快速夾頭 13 已經自動鎖定。但是仍要抽拉工具接頭，檢查接頭是否已經正確套緊。

更換工具

有了 SDS-plus (四坑系統) 工具接頭，不必使用輔助工具也可以快速便利地安裝鑽頭。

SDS-plus (四坑系統) 系統的工具是活動的，因此在無負載狀態下此類工具會偏心旋轉。開始鑽孔時工具便會自動定心，所以上述現象並不會影響鑽孔的準確度。

防塵蓋 2 可以防止工作時鑿削廢塵侵入夾頭中。安裝工具時必須小心，勿損壞防塵蓋 2。

- ▶ **如果防塵蓋壞損了必須馬上更換。最好委托本公司的顧客服務處換裝。**

安裝 SDS-plus (四坑系統) 工具 (參考插圖 C)

- 清潔工具柄並在柄上塗少許潤滑脂。
- 把工具轉入工具夾頭中，至工具自動鎖牢為止。
- 抽拉工具以確定它是否正確鎖緊了。

拆卸 SDS-plus (四坑系統) 工具 (參考插圖 D)

- 向後推移鎖定套筒 3 並取出工具。

安裝無 SDS-plus (四坑系統) 的工具 (參考插圖 E)

指示： 不可以使用無 SDS-plus (四坑系統) 系統的工具進行錘鑽和鑿削！沒有 SDS-plus (四坑系統) 系統的工具和夾頭會在進行錘鑽和鑿削時受損。

- 裝上快速夾頭 13。
- 握牢快速夾頭 13 上的固定環。朝著符號 "RELEASE, AUF" 的方向擰轉前套筒，便可以打開工具接頭。

22 | 中文

- 把工具插入快速夾頭 13 中。握牢快速夾頭 13 上的固定環。朝著符號 "GRIP, ZU" 的方向擰轉前套筒。
- 以抽拉的方式，檢查工具是否已經裝牢了。

指示：當工具夾頭被完全打開之後如果再度關閉夾頭，可能發生只聽到棘輪的磨擦聲卻無法關閉夾頭的情況。

此時必須朝著箭頭的相反方向轉動前套筒 14，接著便能夠再度關閉夾頭。

- 把沖擊 / 轉動停止開關 5 擰轉到 "正常鑽" 的位置。

拆卸無 SDS-plus (四坑系統) 的工具 (參考插圖 E)

- 握牢快速夾頭 13 上的固定環。朝著符號 "RELEASE, AUF" 的方向擰轉前套筒，便可以打開工具接頭。
- 拿出工具。

使用吸塵裝備 (Saugfix) 吸塵 (附件)

- ▶ 含鉛的顏料以及某些木材、礦物和金屬的加工廢塵有害健康。機器操作者或者工地附近的人如果接觸、吸入這些廢塵，可能會有過敏反應或者感染呼吸道疾病。

某些塵埃 (例如加工橡木或山毛櫸的廢塵) 可能致癌，特別是和處理木材的添加劑 (例如木材的防腐劑等) 結合之後。只有經過專業訓練的人才能夠加工含石棉的物料。

- 盡可能使用適合物料的吸塵裝置。
- 工作場所要保持空氣流通。
- 最好佩戴 P2 濾網等級的口罩。

請留心並遵守貴國和加工物料有關的法規。

- ▶ 避免讓工作場所堆積過多的塵垢。塵埃容易被點燃。

安裝吸塵裝備 (Saugfix) (參考插圖 F)

吸塵裝備 Saugfix (附件) 是用來吸取鑽孔時產生的廢塵。當鑽頭吃入工件中時吸塵裝備會向後回縮，這樣可以確保吸塵裝備能夠緊貼著工件表面。

- 按住輔助手柄上的按鍵 9，拔出深度尺 11。再度按下按鍵 9，把吸塵裝備從機器前端插入輔助把手 10 中。
- 在吸塵裝備的吸孔 16 上安裝吸塵軟管 (管直徑 19 毫米，附件)。

根據工件的物料選擇合適的吸塵裝置。

吸集可能危害健康，可能導致癌症或乾燥的廢塵時，務必使用特殊的吸塵裝置。

在吸塵裝備上設定鑽孔深度 (參考插圖 G)

安裝了吸塵裝備後也能夠設定鑽孔深度 X。

- 把 SDS-plus (四坑系統) 工具插入 SDS-plus (四坑系統) 接頭 1 中，並把工具推到底。如果未安裝好工具，會影響設定深度的準確性。

- 鬆開吸塵裝備上的蝶翼螺絲 20。
- 把尚未開動的電動工具緊緊地頂在工件上。
- SDS-plus (四坑系統) - 工具也必須緊貼著工件。
- 推移吸塵裝備的導管 21，讓裝備的頂端能夠靠在鑽孔表面上。不可以過度推出導管 21，這樣可能遮蓋了伸縮尺 19 上的刻度。盡可能充分利用伸縮尺 19 上的刻度。
- 收緊蝶翼螺絲 20。放鬆吸塵裝備上深度擋塊的擰緊螺絲 17。
- 調整伸縮尺 19 上的深度擋塊 18 的位置以設定鑽深。插圖中的線段長度 X 便是實際需要的鑽孔深度。
- 擰緊螺絲 17 把擋塊固定在這個位置。

操作

操作機器

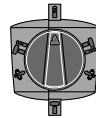
- ▶ 注意電源的電壓！電源的電壓必須和電動工具銘牌上標示的電壓一致。

設定操作模式

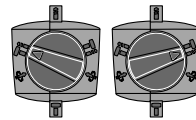
使用沖擊 / 轉動停止開關 5 設定電動工具的操作功能。

指示：務必先關閉電動工具，然後才可以改變操作功能！否則會損壞電動工具。

- 把沖擊 / 轉動停止開關 5 擰轉到需要的設定位置上。

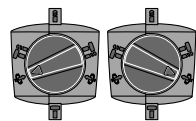


在木材，金屬，陶材和塑料上進行無震動功能的 **正常鑽** 以及擰轉螺絲時的設定位置

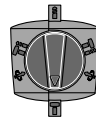


在混凝土或石材上進行 **震動鑽** 時的設定方式

開動機器時如果工具沒有馬上轉動，先讓電動工具以低轉速運轉至工具被帶動為止。



Vario-Lock，改變鑿頭的開關位置



進行 **鑿削** 時的開關位置

改變轉向

- ▶ 在電動工具完全靜止時才可以使用正逆轉開關 8。使用正逆轉開關 8 可以改變電動工具的轉向。

正轉：把正逆轉開關 8 擰轉到盡頭，並讓它停留在以下的位置 ←。

逆轉：把正逆轉開關 8 擰轉到盡頭，並讓它停留在以下的位置 →。

進行震動鑽、正常鑽和鑿削時，都必須把轉向設定為正轉。

開動 / 關閉

- 操作電動工具時先按下電動工具的起停開關 7，並持續按著。
- 放開起停開關 7 便可以關閉電動工具。

在低溫的工作環境中，必須經過短暫的暖機，然後電動工具才能夠發揮最大的錘擊功率 / 沖擊功率。

調整轉速 / 沖擊次數

隨著在起停開關 7 上施壓大小，可以無級式地提高或降低轉速 / 沖擊次數。

輕按起停開關 7，機器以低轉速 / 沖擊次數運作。增強施加在起停開關上的壓力，可以提高機器的轉速 / 沖擊次數。

過載離合器

- ▶ 如果工具卡住了，傳往主軸的動力會中斷。此時會產生非常大的震動力。因此操作機器時務必要用雙手握緊機器，並且要確保立足穩固。
- ▶ 如果電動工具卡住了，先關閉電動工具，再取出工具。開動工具被卡住的電動工具，會產生很高的反應力矩。

改變鑿頭位置 (Vario-Lock)

鑿頭有 13 個不同的鎖定位置。如此可確保最佳的工作姿勢。

- 把鑿頭裝入工具夾頭中。
- 把沖擊 / 轉動停止開關 5 擰轉到 "Vario-Lock" 的設定位置上 (參考 "設定操作模式"，第 22 頁)。
- 把鑿頭旋轉到需要的工作位置上。
- 把沖擊 / 轉動停止開關 5 擰轉到 "鑿削" 功能的位置上。此時工具會自動被鎖定。
- 進行鑿削時必須把轉向設定為正轉。

有關操作方式的指點

- ▶ 維修電動工具或換裝零、配件之前，務必從插座上拔出插頭。
- ▶ 先關閉電動工具，然後再把工具放置在螺母 / 螺絲上。安裝在接頭上的工具如果仍繼續轉動，容易從螺絲頭上滑開。
- ▶ 如果安裝在此裝置上的切割配件可能會在作業期間割到暗藏的電線或自身的電源線，請務必從裝置握把上的絕緣處來握住該裝置。切割配件萬一接觸到帶電導線，可能會連帶使裝置上的金屬部件帶電，進而導致操作者觸電。

減震裝置



內建的減震系統，能夠減輕工作時產生的震動。

維修和服務

維修和清潔

- ▶ 維修電動工具或換裝零、配件之前，務必從插座上拔出插頭。
- ▶ 電動工具和通風間隙都必須保持清潔，這樣才能夠提高工作品質和安全性。
- ▶ 如果防塵蓋壞損了必須馬上更換。最好委托本公司的顧客服務處換裝。

如果必須更換連接線，務必把這項工作交給博世或者經授權的博世電動工具顧客服務執行，以避免危害機器的安全性能。

顧客服務處和顧客諮詢中心

本公司顧客服務處負責回答有關本公司產品的修理、維護和備件的問題。以下的網頁中有爆炸圖和備件的資料：

www.bosch-pt.com

博世顧客諮詢團隊非常樂意為您解答有關本公司產品及附件的問題。

當您需要諮詢或訂購備用零組件時，請務必提供本產品型號銘牌上的 10 位項目編號。

台灣

台灣羅伯特博世股份有限公司

建國北路一段 90 號 6 樓

台北市 10491

電話：(02) 2515 5388

傳真：(02) 2516 1176

www.bosch-pt.com.tw

製造商地址：

Robert Bosch Power Tools GmbH


羅伯特·博世電動工具有限公司

70538 Stuttgart / GERMANY

70538 斯圖加特 / 德國

處理廢棄物

必須以符合環保的方式，回收再利用損壞的機器、附件和廢棄的包裝材料。

 不可以把電動工具丟入家庭垃圾中。

保留修改權。

24 | 한국어

設備名稱：鏈鑽，型號：GBH 4-32 DFR
 限用物質及其符號

單元	鉛 (Pb)	汞 (Hg)	鎘 (Cd)	六價鉻 (Cr ⁺⁶)	多溴聯苯 (PBB)	多溴二苯醚 (PBDE)
開關	0	0	0	0	0	0
電容器	0	0	0	0	0	0
馬達	-	0	0	0	0	0
電源線	0	0	0	0	0	0
外殼 (塑料)	0	0	0	0	0	0

備考 1. "超出 0.1 wt %" 及 "超出 0.01 wt %" 係指限用物質之百分比含量超出 百分比含量基準值。
 備考 2. "0" 係指該項限用物質之百分比含量未超出百分比含量基準值。
 備考 3. "-" 係指該項限用物質為排除項目。

한국어

안전 수칙

전동공구용 일반 안전수칙

경고 모든 안전수칙과 지시 사항을 상세히 읽고 지켜야 합니다. 다음의 안전수칙과 지시 사항을 준수하지 않으면 화재 위험이 있으며 감전 혹은 중상을 입을 수 있습니다.

앞으로의 참고를 위해 이 안전수칙과 사용 설명서를 잘 보관하십시오.

다음에서 사용되는 "전동공구" 라는 개념은 전원에 연결하여 사용하는 전동 기기 (전선이 있는) 나 배터리를 사용하는 전동 기기 (전선이 없는) 를 의미합니다.

작업장 안전

- ▶ 작업장을 항상 깨끗이 하고 조명을 밝게 하십시오. 작업장 환경이 어수선하거나 어두우면 사고를 초래할 수 있습니다.
- ▶ 가연성 유체, 가스 또는 분진이 있어 폭발 위험이 있는 환경에서 전동공구를 사용하지 마십시오. 전동공구는 분진이나 증기에 점화하는 스파크를 일으킬 수 있습니다.
- ▶ 전동공구를 사용할 때 구경꾼이나 어린이 혹은 다른 사람이 작업장에 접근하지 못하게 하십시오. 다른 사람이 주의를 산만하게 하면 기기에 대한 통제를 잃기 쉽습니다.

전기에 관한 안전

- ▶ 전동공구의 전원 플러그가 전원 콘센트에 잘 맞아야 합니다. 플러그를 조금이라도 변경시켜서는 안됩니다. 접지된 전동공구를 사용할 때 어댑터 플러그를 사용하지 마십시오. 변형되지 않은 플러그와 잘 맞는 콘센트를 사용하면 감전의 위험을 감소할 수 있습니다.
- ▶ 파이프 관, 라디에이터, 레인지, 냉장고와 같은 접지 표면에 몸이 닿지 않도록 하십시오. 몸에 닿을 경우 감전될 위험이 높습니다.

- ▶ 전동공구를 비에 맞지 않게 하고 습기 있는 곳에 두지 마십시오. 전동공구에 물이 들어가면 감전될 위험이 높습니다.
- ▶ 전원 코드를 잡고 전동공구를 운반하거나 걸어 놓아서는 안되며, 콘센트에서 전원 플러그를 뽑을 때 전원 코드를 잡아 당겨서는 절대로 안됩니다. 전원 코드가 열과 오일에 접촉하는 것을 피하고, 날카로운 모서리나 기기의 가동 부위에 닿지 않도록 주의하십시오. 손상되거나 엉킨 전원 코드는 감전을 유발할 수 있습니다.
- ▶ 실외에서 전동공구로 작업할 때는 실외용으로 적당한 연장 전원 코드만을 사용하십시오. 실외용 연장 전원 코드를 사용하면 감전의 위험을 줄일 수 있습니다.
- ▶ 전동공구를 습기 찬 곳에서 사용해야 할 경우에는 누전 차단기를 사용하십시오. 누전 차단기를 사용하면 감전 위험을 줄일 수 있습니다.

사용자 안전

- ▶ 신중하게 작업하십시오. 작업을 할 때 주의를 하며, 전동공구를 사용할 때 경솔하게 행동하지 마십시오. 피로한 상태이거나 약물 복용 및 음주한 후에는 전동공구를 사용하지 마십시오. 전동공구를 사용할 때 잠시라도 주의가 산만해지면 중상을 입을 수 있습니다.
- ▶ 작업자 안전을 위한 장치를 사용하십시오. 항상 보안경을 착용하십시오. 전동공구의 종류와 사용에 따라 먼지 보호 마스크, 미끄러지지 않는 안전한 신발, 안전모 또는 귀마개 등의 안전한 복장을 하면 상해의 위험을 줄일 수 있습니다.
- ▶ 실수로 기기가 작동되지 않도록 주의하십시오. 전동공구를 전원에 연결하거나 배터리를 끼우기 전에, 혹은 기기를 들거나 운반하기 전에, 전원 스위치가 꺼져 있는지 다시 확인하십시오. 전동공구를 운반할 때 전원 스위치에 손가락을 대거나 전원 스위치가 켜진 상태에서 전원을 연결하면 사고 위험이 높습니다.
- ▶ 전동공구를 사용하기 전에 조절하는 톨이나 나사 키 등을 빼 놓으십시오. 회전하는 부위에 있는 톨이나 나사 키로 인해 상처를 입을 수 있습니다.

- ▶ 자신을 과신하지 마십시오. 불안정한 자세를 피하고 항상 평형을 이룬 상태로 작업하십시오. 안정된 자세와 평형한 상태로 작업해야만이 의외의 상황에서도 전동공구를 안전하게 사용할 수 있습니다.
- ▶ 알맞은 작업복을 입으십시오. 헐렁한 복장을 하거나 장신구를 착용하지 마십시오. 머리카락 또는 장갑이 가동하는 기기 부위에 가까이 닿지 않도록 주의하십시오. 헐렁한 복장, 장신구 혹은 긴 머리는 가동 부위에 말려 사고를 초래할 수 있습니다.
- ▶ 분진 추출장치나 수거장치의 조립이 가능한 경우, 이 장치가 연결되어 있는지, 제대로 작동이 되는지 확인하십시오. 이러한 분진 추출장치를 사용하면 분진으로 인한 사고 위험을 줄일 수 있습니다.

전동공구의 올바른 사용과 취급

- ▶ 기기를 과부하 상태에서 사용하지 마십시오. 작업할 때 이에 적합한 전동공구를 사용하십시오. 알맞은 전동공구를 사용하면 지정된 성능 한도 내에서 더 효율적으로 안전하게 작업할 수 있습니다.
- ▶ 전원 스위치가 고장 난 전동공구를 사용하지 마십시오. 전원 스위치가 작동되지 않는 전동공구는 위험하므로, 반드시 수리를 해야 합니다.
- ▶ 기기에 세팅을 하거나 액세서리 부품을 교환하거나 혹은 기기를 보관할 때, 항상 전원 콘센트에서 플러그를 미리 빼어 놓으십시오. 이러한 조치는 실수로 전동공구가 작동하게 되는 것을 예방합니다.
- ▶ 사용하지 않는 전동공구는 어린이 손이 닿지 않는 곳에 보관하고, 전동공구 사용에 익숙지 않거나 이 사용 설명서를 읽지 않은 사람은 기기를 사용해서는 안 됩니다. 경험이 없는 사람이 전동공구를 사용하면 위험합니다.
- ▶ 전동공구를 조심스럽게 관리하십시오. 가동 부위가 하자 없이 정상적인 기능을 하는지, 걸리는 부위가 있는지, 혹은 전동공구의 기능에 중요한 부품이 손상되지 않았는지 확인하십시오. 손상된 기기의 부품은 전동공구를 다시 사용하기 전에 반드시 수리를 맡기십시오. 제대로 관리하지 않은 전동공구의 경우 많은 사고를 유발합니다.
- ▶ 절단 공구를 날카롭고 깨끗하게 관리하십시오. 날카로운 절단면이 있고 잘 관리된 절단공구는 걸리는 경우가 드물고 조절하기도 쉽습니다.
- ▶ 전동공구, 액세서리, 장착하는 공구 등을 사용할 때, 이 지시 사항과 특별히 기종 별로 나와있는 사용 방법을 준수하십시오. 이때 작업 조건과 실시하려는 작업 내용을 고려하십시오. 원래 사용 분야가 아닌 다른 작업에 전동공구를 사용할 경우 위험한 상황을 초래할 수 있습니다.

서비스

- ▶ 전동공구 수리는 반드시 전문 인력에게 맡기고, 수리 정비 시 보쉬 순정 부품만을 사용하십시오. 그렇게 함으로써 기기의 안전성을 오래 유지할 수 있습니다.

해머용 안전 수칙

- ▶ 귀마개를 착용하십시오. 소음의 영향으로 인해 청각을 상실할 수 있습니다.
- ▶ 보조 손잡이가 전동공구와 함께 공급되는 경우 이를 사용하십시오. 통제를 잃게 되면 상해를 입을 수 있습니다.
- ▶ 작업할 때 톱날이 보이지 않는 전선이나 기기 자체의 코드에 닿을 위험이 있으면 전동공구의 절연된 손잡이 면을 잡으십시오. 전류가 흐르는 전선에 접촉하게 되면 기기의 금속 부위에도 전기가 통해 감전될 위험이 있습니다.
- ▶ 보이지 않는 배관 설비를 확인하려면 적당한 탐지기를 사용하거나 담당 에너지 공급회사에 문의하십시오. 전선에 접촉하게 되면 화재나 전기 충격을 야기할 수 있습니다. 가스관을 손상시키면 폭발 위험이 있습니다. 수도관을 파손하게 되면 재산 피해를 유발하거나 전기 충격을 야기할 수 있습니다.
- ▶ 전동공구를 두 손으로 꼭 잡고 안전한 자세로 작업하십시오. 전동공구는 두 손으로 사용하면 더 안전합니다.
- ▶ 작업물을 잘 고정하십시오. 고정장치나 기계 바이스에 끼워서 작업하면 손으로 잡는 것보다 더 안전합니다.
- ▶ 전동공구를 내려놓기 전에 기기가 완전히 멈추었는지를 확인하십시오. 벨트가 걸려 전동공구에 대한 통제가 어려워질 수 있습니다.

제품 및 성능 소개



모든 안전수칙과 지시 사항을 상세히 읽고 지켜야 합니다. 다음의 안전수칙과 지시 사항을 준수하지 않으면 화재 위험이 있으며 감전 혹은 중상을 입을 수 있습니다.

규정에 따른 사용

본 전동공구는 콘크리트, 벽돌, 석재 등에 해머 드릴 작업을 하거나 간단한 치출작업을 하는데 적합합니다. 또한 목재, 금속, 세라믹 그리고 플라스틱에 충격을 가하지 않는 드릴작업을 하는데도 적합합니다. 전자 제어 장치와 좌우 회전 기능이 있는 전동공구는 또한 스크류 작업을 하는데에도 사용이 가능합니다.

제품의 주요 명칭

제품의 주요 명칭에 표기되어 있는 번호는 기기 그림이 나와있는 면을 참고하십시오.

- 1 SDS-plus 톱 홀더
- 2 먼지 보호 캡
- 3 잠금 슬리브
- 4 톱 홀더용 잠금 링
- 5 모드 선택 스위치
- 6 진동 감소장치
- 7 전원 스위치

26 | 한국어

- 8 회전방향 선택 스위치
- 9 깊이 조절자 조절용 버튼
- 10 보조 손잡이 (절연된 손잡이 부위)
- 11 깊이 조절자
- 12 손잡이 (절연된 손잡이 부위)
- 13 순간 교환 키레스 척*
- 14 순간 교환 키레스 척 앞쪽 슬리브*
- 15 순간 교환 키레스 척 홀딩 링*
- 16 분진 추출장치의 흡입 부위*
- 17 분진 추출장치의 고정 나사*
- 18 분진 추출장치의 깊이 조절자*
- 19 분진 추출장치의 텔레스코프 튜브*
- 20 분진 추출장치의 날개 나사*
- 21 분진 추출장치의 가이드 튜브*

*도면이나 설명서에 나와있는 액세서리는 표준 공급부품에 속하지 않습니다. 전체 액세서리는 저희 액세서리 프로그램을 참고하십시오.

제품 사양

해머 드릴	GBH 4-32 DFR	
제품 번호	3 611 C32 0.. 3 611 C32 1..	
소비 전력	W	900
정격 속도	rpm	0-760
타격률	min ⁻¹	0-3600
EPTA-Procedure		
05/2009 에 따른 스트로크 당 충격 에너지	J	5.0
치출 위치 조정	12	
툴 홀더	SDS-plus	
윤활	중심 연속 윤활	
드릴 직경, 최대		
- 콘크리트 (트위스트 드릴)	mm	32
- 벽돌 (코어 비트 사용 시)	mm	90
- 철재	mm	13
- 목재	mm	32
EPTA 공정 01:2014 에 따른 중량	kg	4.7
안전 등급	□/II	
자료는 정격 전압 [U] 230 V 를 기준으로 한 것입니다. 전압이 낮거나 각국의 특수한 모델에 따라 달라질 수 있습니다.		

조립

▶ 전동공구를 보수 정비하기 전에 반드시 콘센트에서 전원 플러그를 빼십시오.

보조 손잡이

▶ 반드시 보조 손잡이 10 을 장착하여 전동공구를 사용하십시오.

보조 손잡이 10 은 안전하고 피로가 적은 자세로 작업할 수 있도록 모든 위치로 움직여 조립할 수 있습니다.

- 보조 손잡이 10 의 아래 쪽을 시계 반대 방향으로 돌리고 보조 손잡이 10 을 원하는 위치로 돌립니다. 그리고 나서 보조 손잡이 10 의 아래 쪽을 시계 방향으로 다시 돌려 조입니다.

천공 깊이 조절하기 (그림 A 참조)

원하는 천공 깊이 X 는 깊이 조절자 11 로 조절할 수 있습니다.

- 깊이 조절자 조절용 버튼 9 를 누르고 깊이 조절자를 보조 손잡이 10 안으로 밀어 넣습니다.
- SDS-plus 비트를 SDS-plus 툴 홀더 1 의 끝까지 밀어 넣습니다. SDS-plus 비트가 움직이게 되면 천공 깊이를 정확하게 세팅할 수 없게 됩니다.
- 드릴 비트의 끝과 깊이 조절자의 끝 부위의 간격이 원하는 천공 깊이 X 가 될 때까지 깊이 조절자를 잡아 당깁니다.
- 깊이 조절자 11 의 우물두툼한 표면이 아래로 향하도록 해야 합니다.

툴 홀더 선택하기

해머 드릴작업을 하려면 SDS-plus 툴 홀더 1 에 맞는 SDS-plus 비트가 필요합니다.

목재 금속 세라믹 플라스틱에 타격없이 드릴작업을 하거나 스크류작업 혹은 나사산 절삭작업을 하려면 SDS-plus 가 아닌 비트 (예를 들면 실린더 축이 있는 드릴 비트) 를 사용해야 합니다. 이러한 비트를 사용하면 순간 교환 키레스 척이 필요합니다.

참고 : 해머 드릴작업이나 치출작업을 할 때 SDS-plus 가 아닌 비트를 사용하지 마십시오! SDS-plus 가 아닌 비트와 그 드릴 척이 해머 드릴작업과 치출작업으로 인해 손상됩니다.

SDS-plus 툴 홀더 1 은 순간 교환 키레스 척 13 로 쉽게 교환할 수 있습니다.

툴 홀더 교환하기

SDS-plus 툴 홀더 / 키레스 척 분해하기 (그림 B 참조)

- 툴 홀더용 잠금 링 4 를 함꼐 화살표 방향으로 당기고 이 위치를 유지한 상태에서 툴 홀더 1 이나 키레스 척 13 을 앞으로 당겨 빼냅니다.

툴 홀더 1 과 키레스 척 13 을 분해한 후에 오염되지 않도록 하십시오. 필요에 따라 구동 톨니 바퀴에 약간 오일을 바르십시오.

툴 홀더 / 키레스 척 조립하기 (그림 B 참조)

▶ 반드시 기기 모델 고유의 순정품만을 사용하고 이때 식별 홀 의 개수를 확인해 보십시오. 식별 홀이 두 개인 키레스 척만을 사용해야 합니다. 이 전동공구에 적당하지 않은 키레스 척을 사용하면 작동 중에 비트가 빠져나올 수 있습니다.

- 툴 홀더 1 이나 키레스 척 13 을 손으로 움켜잡고 툴 홀더 1 나 키레스 척 13 이 확실히 걸리는 소리가 날 때까지 드릴 척에 돌리면서 밀어 넣습니다.

- 툴 홀더 1 나 키레스 척 13 은 자동으로 잠깁니다. 툴 홀더를 당겨 보아 제대로 잠겨 있는지 확인하십시오.

액세서리의 교환

SDS- plus 툴 홀더로 삽입 비트를 손쉽게 간편하게 추가 공구 없이 교환할 수 있습니다.

SDS- plus 비트는 시스템상 충분히 움직이게 되어 있습니다. 그래서 공전 상태에서 편심 현상이 생기지만 드릴작업 시에는 다시 저절로 중심을 잡습니다. 이는 작업의 정확성에 어떠한 영향도 미치지 않습니다.

먼지 막이 캡 2 는 드릴작업 시 발생하는 먼지가 스며드는 것을 거의 방지합니다. 비트를 끼울 때 먼지 막이 캡 2 이 손상되지 않도록 주의하십시오.

▶ **손상된 먼지 막이 캡은 즉시 교환해야 합니다. 서비스 센터에 의뢰하여 교환하도록 하는 것이 좋습니다.**

SDS- plus 삽입 비트 장착하기 (그림 C 참조)

- 끼우려는 비트의 끝 부분을 깨끗이 닦고 그리스를 바릅니다.
- 비트가 저절로 잠길 때까지 툴 홀더에 돌리면서 끼웁니다.
- 비트를 잡아당겨 보아 제대로 끼워졌는지 확인해 보십시오.

SDS- plus 삽입 비트 탈착하기 (그림 D 참조)

- 잠금 슬라이브 3 을 뒤로 당긴 상태에서 비트를 뽑니다.

SDS- plus 가 아닌 삽입 비트 장착하기 (그림 E 참조)

참고: 해머 드릴작업이나 치즐작업을 할 때 SDS- plus 가 아닌 비트를 사용하지 마십시오! SDS- plus 가 아닌 비트와 그 드릴 척이 해머 드릴작업과 치즐작업으로 인해 손상됩니다.

- 순간 교환 키레스 척 13 을 끼웁니다.
- 키레스 척 13 의 홀딩 링을 잡은 상태로 슬라이브 앞쪽을 "RELEASE, AUF" 표시 방향으로 돌려서 툴 홀더를 엽니다.
- 비트를 키레스 척 13 에 끼웁니다. 키레스 척 13 의 홀딩 링을 꼭 잡고 슬라이브 앞쪽을 "GRIP, ZU" 표시 방향으로 돌립니다.
- 비트를 당겨보아 제대로 끼워졌는지 확인해 보십시오.

참고: 툴 홀더를 끝까지 열었다가 다시 잠글 경우, 기능상 걸리는 소리가 나지만 툴 홀더가 제대로 잠기지 않을 수 있습니다.

이러한 경우 앞쪽 슬라이브 14 를 화살표 반대 방향으로 한번 돌렸다가 다시 잠그면 툴 홀더가 잠길 것입니다.

- 모드 선택 스위치 5 를 "드릴작업" 위치로 돌립니다.

SDS- plus 가 아닌 삽입 비트 탈착하기 (그림 E 참조)

- 키레스 척 13 의 홀딩 링을 잡은 상태로 슬라이브 앞쪽을 "RELEASE, AUF" 표시 방향으로 돌려서 툴 홀더를 엽니다.
- 삽입 비트를 빼십시오.

분진 추출장치를 사용한 분진 처리 (별매 액세서리)

▶ 납 성분을 포함한 페인트나 몇몇 나무 종류, 또는 광물 성분 그리고 철과 같은 재료의 분진은 건강을 해칠 수 있습니다. 이 분진을 만지거나 호흡할 경우, 사용자나 주변 사람들은 알레르기 반응이나 호흡기 장애를 일으킬 수 있습니다.

떡갈나무나 너도밤나무와 같은 특정한 분진은 암을 유발시키며, 특히 목재 처리용으로 사용되는 부가 원료 (크로마트, 목재 보호제) 와 혼합되면 암을 유발시키게 됩니다. 석면 성분을 포함한 재료는 오직 전문가가 작업을 해야 합니다.

- 가능한 작업물 소재에 적당한 분진 추출장치를 사용하십시오.
- 작업장의 통풍이 잘 되도록 하십시오.
- 필터등급 P2 가 장착된 호흡 마스크를 사용하십시오.

작업용 재료에 관해 국가가 지정한 규정을 고려하십시오.

▶ **작업장에 분진이 쌓이지 않도록 하십시오.** 분진이 쉽게 발화할 수 있습니다.

분진 추출장치 조립하기 (그림 F 참조)

분진을 흡입 처리하려면 분진 추출장치 (별매 액세서리) 가 필요합니다. 드릴작업을 할 때 분진 추출장치가 뒤로 밀려

서, 분진 추출장치의 헤드가 드릴하는 표면에 항상 밀접하게 유지됩니다.

- 깊이 조절자 조절용 버튼 9 를 누른 상태에서 깊이 조절자 11 을 뽑니다. 버튼 9 를 다시 누르고 분진 추출장치를 앞에서부터 보조 손잡이 10 안으로 끼웁니다.
- 흡입 호스 (직경 19 mm, 별매 액세서리) 를 분진 추출장치의 흡입 부위 16 에 연결하십시오.

진공 청소기는 작업하는 소재에 적합해야 합니다.

특히 건강에 유해한 발암성 혹은 건조한 분진을 처리해야 할 경우에는 특수한 청소기를 사용해야 합니다.

분진 추출장치의 천공 깊이 조절하기 (그림 G 참조)

분진 추출장치가 조립된 상태에서도 원하는 천공 깊이 X 를 조절할 수 있습니다.

- SDS- plus 비트를 SDS-plus 툴 홀더 1 의 끝까지 밀어 넣습니다. SDS- plus 비트가 움직이게 되면 천공 깊이를 정확하게 세팅할 수 없게 됩니다.
- 분진 추출장치에 있는 날개 나사 20 을 풀어 줍니다.

28 | 한국어

- 전동공구의 스위치를 켜지 않은 상태로 드릴작업을 하려는 부위에 바짝 닿니다. 이때 SDS-plus 비트가 표면에 닿아야 합니다.
- 분진 추출장치의 가이드 튜브 21을 분진 추출장치의 헤드가 드릴하려는 표면에 닿도록 홀더에 밀어 넣습니다. 가이드 튜브 21이 텔레스코프 튜브 19 너머로 지나치게 밀지 마십시오. 가능한 한 텔레스코프 튜브 19의 눈금자 대부분이 보이도록 해야 합니다.
- 날개 나사 20을 다시 조입니다. 분진 추출장치의 깊이 조절자에 있는 고정 나사 17을 풀니다.
- 깊이 조절자 18을 텔레스코프 튜브 19 위로 밀어 그림에 나와있는 것처럼 간격 X가 원하는 천공 깊이가 되도록 하십시오.
- 고정 나사 17을 이 위치에서 조입니다.

작동

기계 시동

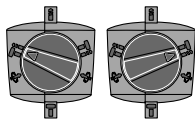
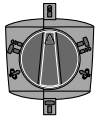
▶ **공공 배전 전압에 주의!** 공급되는 전원의 전압은 전동공구의 명판에 표기된 전압과 동일해야 합니다.

작동 모드 설정하기

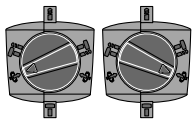
모드 선택 스위치 5로 전동공구의 작동 모드를 선택할 수 있습니다.

주의: 전동공구 스위치가 꺼진 상태에서만 작동 모드를 변경하십시오! 그렇지 않으면 전동공구가 손상될 수 있습니다.

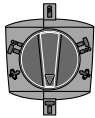
- 모드 선택 스위치 5를 원하는 위치로 돌리십시오. 목재, 금속, 세라믹 그리고 플라스틱에 **드릴작업**을 하거나 스크류작업을 할 때 위치



콘크리트나 석재에 **해머 드릴작업**을 할 때 위치
스위치를 켜는데도 비트가 바로 회전하지 않으면 비트가 함께 돌아갈 때까지 전동공구를 천천히 작동하십시오.



치출 위치를 변경하기 위한 **Vario-Lock** 위치



치출작업을 할 때 위치

회전방향 설정하기

▶ **회전방향 선택 스위치 8은 전동공구가 정지된 상태에서만 사용해야 합니다.**

회전방향 선택 스위치 8으로 전동공구의 회전방향을 바꿀 수 있습니다.

우회전: 회전방향 선택 스위치 8을 ◀ 위치로 끝까지 돌리십시오.

좌회전: 회전방향 선택 스위치 8을 ▶ 위치로 끝까지 돌리십시오.

해머 드릴작업, 드릴작업 혹은 치출작업을 하려면 회전방향이 반드시 우회전에 있어야 합니다.

전원 스위치 작동

- 전동공구를 **작동하려면** 전원 스위치 7을 누르고 누른 상태를 유지하십시오.
- 전동공구의 **스위치를 끄려면** 전원 스위치 7을 놓으면 됩니다.

낮은 온도에서 전동공구가 완전한 해머 성능 / 타격 성능을 보일 때까지 약간의 시간이 필요합니다.

속도 / 타격을 조절하기

전원 스위치 7에 가하는 힘의 강약에 따라 작동 중에도 전동공구의 속도 / 타격을 무단으로 조절할 수 있습니다.

전원 스위치 7을 살짝 누르면 낮은 속도 / 타격률로 작동합니다. 좀 더 세게 누르면 속도 / 타격률이 증가합니다.

과부하 클러치

▶ **드릴 비트가 끼였거나 박힌 경우 드릴 스피들의 작동이 중단됩니다. 이때 생기는 충격에 대비해서 전동공구를 두 손으로 꼭 잡고 안전한 자세로 작업해야 합니다.**

▶ **전동공구의 작동이 중단되면 스위치를 끄고 드릴 비트를 풀니다. 드릴 비트가 꼭 낀 상태에서 스위치를 켜면 강한 반동력이 생길 수 있습니다.**

치출 위치 바꾸기 (Vario-Lock)

치출을 13 가지의 다양한 위치로 고정할 수 있어 각 작업 시 적당한 위치를 선택할 수 있습니다.

- 치출을 툴 홀더에 끼웁니다.
- 모드 선택 스위치 5를 "Vario-Lock" 위치로 돌립니다 ("작동 모드 설정하기" 참조, 28 페이지).
- 원하는 치출 위치로 삽입 비트를 돌리십시오.
- 모드 선택 스위치 5를 "치출작업" 위치로 돌립니다. 툴 홀더는 이와 함께 잠기게 됩니다.
- 치출작업을 하려면 회전방향을 오른쪽으로 맞추십시오.

사용방법

▶ **전동공구를 보수 정비하기 전에 반드시 콘센트에서 전원 플러그를 빼십시오.**

- ▶ **전동공구의 스위치가 꺼진 상태에서만 나사못에 대십시오.** 회전하는 드릴 비트가 미끄러질 수 있습니다.
- ▶ **작업할 때 톱날이 보이지 않는 전선이나 기기 자체의 코드에 닿을 위험이 있으면 전동공구의 절연된 손잡이 면을 잡으십시오.** 전류가 흐르는 전선에 접하게 되면 기기의 금속 부위에도 전기가 통해 감전될 위험이 있습니다.

진동 감소장치



진동 감소장치가 있어 작업 중 발생하는 진동을 감소시켜 줍니다.

보수 정비 및 서비스

보수 정비 및 유지

- ▶ **전동공구를 보수 정비하기 전에 반드시 콘센트에서 전원 플러그를 빼십시오.**
- ▶ **안전하고 올바른 작동을 위하여 전동공구와 전동공구의 통풍구를 항상 깨끗이 하십시오.**
- ▶ **손상된 먼지 막이 캡은 즉시 교환해야 합니다.** 서비스 센터에 의뢰하여 교환하도록 하는 것이 좋습니다.

연결 코드를 교환해야 할 경우 안전을 기하기 위해 보쉬사나 보쉬 지정 전동공구 서비스 센터에 맡겨야 합니다.

보쉬 AS 및 고객 상담

보쉬는 귀하의 제품 및 수리에 관한 문의를 받고 있습니다.

AS 센터 정보 및 제품에 대한 고객 상담은 하기 고객 콜센터 및 이메일 상담을 이용해주시기 바랍니다.

고객 콜센터 : 080-955-0909

이메일 상담 :


Bosch-pt.hotline@kr.bosch.com

문의나 대체 부품 주문 시에는 반드시 제품 네임 플래이트에 있는 10 자리의 부품번호를 알려 주십시오.

Bosch Korea, RBKR
Mechanics and Electronics Ltd.
PT/SAX-ASA
298 Bojeong-dong Giheung-gu
Yongin-si, Gyeonggi-do, 446-913
080-955-0909

처리

기기와 액세서리 및 포장 등은 친환경적인 방법으로 재활용할 수 있도록 분류하십시오.

 전동공구를 가정용 쓰레기로 처리하지 마십시오!

위 사항은 사전 예고 없이 변경될 수도 있습니다.

ภาษาไทย

กฎระเบียบเพื่อความปลอดภัย

คำเตือนทั่วไปเพื่อความปลอดภัย ในการใช้เครื่องมือไฟฟ้า

⚠ คำเตือน ต้องอ่านคำเตือนเพื่อความปลอดภัยและคำสั่งทั้งหมด การไม่ปฏิบัติตามคำเตือนและคำสั่งอาจเป็นสาเหตุให้ถูกไฟฟ้าดูด เกิดไฟไหม้ และ/หรือได้รับบาดเจ็บอย่างร้ายแรง

เก็บรักษาคำเตือนและคำสั่งทั้งหมดสำหรับเปิดอ่านในภายหลัง

คำว่า "เครื่องมือไฟฟ้า" ในคำเตือนหมายถึง เครื่องมือไฟฟ้าของท่านที่ทำงานด้วยพลังงานไฟฟ้าที่ต่อจากเต้าเสียบ (มีสายไฟฟ้า) และเครื่องมือไฟฟ้าที่ทำงานด้วยพลังงานไฟฟ้าจากแบตเตอรี่ (ไร้สาย)

ความปลอดภัยในสถานที่ทำงาน

- ▶ **รักษาสถานที่ทำงานให้สะอาดและมีไฟส่องสว่างดี** สถานที่ที่มีมืดหรือรกจึงนำมาซึ่งอุบัติเหตุ
- ▶ **อย่าใช้เครื่องมือไฟฟ้าในสภาพแวดล้อมที่เสี่ยงต่อการติดระเบิดได้ เช่น ในที่มีมีของเหลว แก๊ส หรือฝุ่นที่ติดไฟได้** เมื่อใช้เครื่องมือไฟฟ้าจะเกิดประกายไฟซึ่งอาจจุดฝุ่นหรือไอให้ลุกเป็นไฟได้
- ▶ **ขณะใช้เครื่องมือไฟฟ้าทำงาน ต้องกั้นเด็กและผู้ยืนดูให้ออกห่าง** การหันเหความสนใจอาจทำให้ท่านขาดการควบคุมเครื่องได้

ความปลอดภัยเกี่ยวกับไฟฟ้า

- ▶ **ปลั๊กของเครื่องมือไฟฟ้าต้องมีขนาดพอดีกับเต้าเสียบ อย่าตัดแปลงหรือแก้ไขตัวปลั๊กอย่างเด็ดขาด** อย่าต่อปลั๊กต่อใดๆ เข้ากับเครื่องมือไฟฟ้าที่มีสายดิน ปลั๊กที่ไม่ตัดแปลงและเต้าเสียบที่เข้ากันช่วยลดความเสี่ยงจากการถูกไฟฟ้าดูด
- ▶ **หลีกเลี่ยงไม่ให้ร่างกายสัมผัสกับพื้นผิวของสิ่งของที่ต่อสายดินไว้ เช่น ท่อ เครื่องทำความร้อน เตา และตู้เย็น** จะเสี่ยงอันตรายจากการถูกไฟฟ้าดูดมากขึ้นหากกระแสไฟฟ้าวิ่งผ่านร่างกายของท่านลงดิน
- ▶ **อย่าวางเครื่องมือไฟฟ้าตากฝนหรือทิ้งไว้ในที่ชื้นและหากนำเข้าไปในเครื่องมือไฟฟ้า จะเพิ่มความเสี่ยงจากการถูกไฟฟ้าดูด**
- ▶ **อย่าใช้สายไฟฟ้าอย่างผิดๆ** อย่าถือเครื่องมือไฟฟ้าที่สาย อย่าใช้สายแฉกหรือสายที่ขาดสายไฟที่ขาดออกห่างจากความร้อน น้ำมัน ขอบแหลมคม หรือส่วนของเครื่องที่กำลังเคลื่อนไหว สายไฟฟ้าที่ชำรุดหรือพันกันยุ่งเพิ่มความเสี่ยงจากการถูกไฟฟ้าดูด
- ▶ **เมื่อใช้เครื่องมือไฟฟ้าทำงานกลางแจ้ง ให้ใช้สายไฟต่อที่ได้รับการรับรองให้ใช้ต่อในที่กลางแจ้งเท่านั้น** การใช้สายไฟต่อที่เหมาะสมสำหรับงานกลางแจ้งช่วยลดอันตรายจากการถูกไฟฟ้าดูด

30 | ภาษาไทย

- ▶ หากไม่สามารถหลีกเลี่ยงการใช้เครื่องมือไฟฟ้าทำงานในสถานที่เปียกชื้นได้ ให้ใช้สวิตช์ตัดวงจรเมื่อเกิดการรั่วไหลของไฟฟ้าจากสายดิน การใช้สวิตช์ตัดวงจรเมื่อเกิดการรั่วไหลของไฟฟ้าจากสายดินช่วยลดความเสี่ยงต่อการถูกไฟฟ้าดูด

ความปลอดภัยของบุคคล

- ▶ ท่านต้องอยู่ในสภาพเตรียมพร้อม ระมัดระวัง ในสิ่งที่กำลังทำอยู่ และมีสติขณะใช้เครื่องมือไฟฟ้าทำงาน อย่าใช้เครื่องมือไฟฟ้าขณะที่กำลังง่วงนอน หรืออยู่ภายใต้การครอบงำของฤทธิ์ของยาเสพติด แอลกอฮอล์ และยา เมื่อใช้เครื่องมือไฟฟ้าทำงาน ในชั่วโมงที่ทำงานความเอาใจใส่อาจทำให้บุคคลบาดเจ็บอย่างรุนแรงได้
- ▶ ใช้อุปกรณ์ปกป้องร่างกาย สวมแว่นตาป้องกันเสมอ อุปกรณ์ปกป้อง เช่น หน้ากากกันฝุ่น รองเท้ากันลื่น หมวกแข็ง หรืออุปกรณ์ป้องกันเสียงดัง ที่เลือกใช้ตามความเหมาะสมกับสภาพการทำงาน สามารถลดอันตรายต่อบุคคลได้
- ▶ มุ่งมั่นการคิดเครื่องโดยไม่ตั้งใจ ต้องดูให้แน่ใจว่าสวิตช์อยู่ในตำแหน่งปิดก่อนเสียบปลั๊กไฟเข้าในเต้าเสียบ และ/หรือใส่แท่งแบตเตอรี่ ชาร์จหรือถอดเครื่องมือ การถอดเครื่องโดยใช้นิ้วหัวที่สวิตช์ หรือเสียบปลั๊กไฟในขณะที่สวิตช์เปิดอยู่ อาจนำไปสู่อุบัติเหตุที่ร้ายแรงได้
- ▶ เอาเครื่องมือปรับแต่งหรือประแจปากตายออกจากเครื่องมือไฟฟ้าก่อนเปิดสวิตช์ เครื่องมือหรือประแจปากตายที่วางอยู่ใกล้กับส่วนของเครื่องที่กำลังหมุนจะทำให้บุคคลบาดเจ็บได้
- ▶ หลีกเลี่ยงการตั้งท่าที่ผิดปกติ ตั้งทำยีนที่มั่นคงและวางน้ำหนักให้สมดุลตลอดเวลา ในลักษณะนี้ท่านสามารถควบคุมเครื่องมือไฟฟ้าในสถานการณ์ที่ไม่คาดคิดได้ดีกว่า
- ▶ ใส่เสื้อผ้าที่เหมาะสม อย่าใส่เสื้อผ้าหลวมหรือสวมเครื่องประดับ เอาหมวก เสื้อผ้า และถุงมือออกห่างส่วนของเครื่องที่กำลังหมุน เสื้อผ้าหลวม เครื่องประดับ และผมยาวอาจเข้าไปติดในส่วนของเครื่องที่กำลังหมุนได้
- ▶ หากต้องต่อเครื่องมือไฟฟ้าเข้ากับเครื่องดูดฝุ่นหรือเครื่องเก็บผง ดูให้แน่ใจว่าการเชื่อมต่อและการใช้งานเป็นไปอย่างถูกต้อง การใช้อุปกรณ์ดูดฝุ่นช่วยลดอันตรายที่เกิดจากฝุ่นได้

การใช้และการดูแลรักษาเครื่องมือไฟฟ้า

- ▶ อย่าใช้เครื่องมือไฟฟ้าอย่างหักโหม ใช้เครื่องมือไฟฟ้าที่ถูกต้องตรงตามลักษณะงาน เครื่องมือไฟฟ้าที่ถูกต้องจะทำงานได้ดีกว่าและปลอดภัยกว่าในระดับสมรรถภาพที่ออกแบบไว้
- ▶ อย่าใช้เครื่องมือไฟฟ้าที่สวิตช์เปิดปิดเสีย เครื่องมือไฟฟ้าที่ไม่สามารถควบคุมการเปิดปิดด้วยสวิตช์ได้ เป็นเครื่องมือไฟฟ้าที่ไม่ปลอดภัยและต้องส่งซ่อมแซม
- ▶ ก่อนปรับแต่งเครื่อง เปลี่ยนอุปกรณ์ประกอบ หรือเก็บเครื่องเข้าที่ ต้องถอดปลั๊กไฟออกจากเต้าเสียบ และ/หรือถอดแท่งแบตเตอรี่ออกจากเครื่องมือไฟฟ้า มาตรการป้องกันเพื่อความปลอดภัยนี้ช่วยลดความเสี่ยงจากการติดเครื่องโดยไม่ตั้งใจ

- ▶ เมื่อเลิกใช้งานเครื่องมือไฟฟ้า ให้เก็บเครื่องไว้ในที่เด็กหยิบไม่ถึง และไม่อนุญาตให้บุคคลที่ไม่คุ้นเคยกับเครื่องหรือบุคคลที่ไม่ได้อ่านคำแนะนำนี้ใช้เครื่องมือไฟฟ้าเป็นของอันตรายหากตกอยู่ในมือของผู้ใช้ที่ไม่ได้รับการฝึกฝน
- ▶ เอาใจใส่ดูแลรักษาเครื่อง ตรวจสอบหาส่วนที่เคลื่อนไหวได้ของเครื่องว่าวางอยู่ตรงแนวหรือติดขัดหรือไม่ ตรวจสอบการแตกหักของชิ้นส่วนและสภาพอื่นใดที่อาจมีผลต่อการทำงานของเครื่องมือไฟฟ้า หากชำรุดต้องส่งเครื่องมือไฟฟ้าซ่อมแซมก่อนใช้งาน อุบัติเหตุหลายอย่างเกิดขึ้นเนื่องจากดูแลรักษาเครื่องไม่ดีพอ
- ▶ รักษาเครื่องมือตัดให้คมและสะอาด หากบำรุงรักษาเครื่องมือที่มีขอบตัดแหลมคมอย่างถูกต้อง จะสามารถตัดได้สิ้นไม่ติดขัดและควบคุมได้ง่ายกว่า
- ▶ ใช้เครื่องมือไฟฟ้า อุปกรณ์ประกอบ เครื่องมือ และอุปกรณ์อื่นๆ ให้ตรงตามคำแนะนำนี้ และในลักษณะตามที่เครื่องมือไฟฟ้าประเภทนั้นๆ กำหนดไว้ โดยต้องคำนึงถึงเงื่อนไขการทำงานและงานที่จะทำด้วย การใช้เครื่องมือไฟฟ้าทำงานที่ต่างไปจากวัตถุประสงค์การใช้ งานของเครื่อง อาจนำไปสู่สถานการณ์ที่เป็นอันตรายได้

การบริการ

- ▶ ส่งเครื่องมือไฟฟ้าให้ช่างผู้เชี่ยวชาญตรวจสอบและใช้ อะไหล่เปลี่ยนของแท้เท่านั้น ในลักษณะนี้ท่านจะแน่ใจได้ว่าเครื่องมือไฟฟ้าอยู่ในสภาพที่ปลอดภัย

คำเตือนเพื่อความปลอดภัยสำหรับส่วนต่อ

- ▶ สวมประภหุป้องกันเสียงดัง การรับฟังเสียงดังอาจทำให้ท่านสูญเสียการได้ยิน
- ▶ หากด้ามจับเพิ่มจัดส่งมาพร้อมกับเครื่อง ให้ใช้ด้ามจับเพิ่มร่วมด้วย การสูญเสียการควบคุมอาจทำให้บุคคลบาดเจ็บได้
- ▶ เมื่อทำงานในบริเวณที่อุปกรณ์ตัดอาจสัมผัสกับสายไฟฟ้าที่ซ่อนอยู่หรือสายไฟฟ้าของเครื่อง ต้องจับเครื่องมือไฟฟ้าตรงด้ามจับที่หุ้มฉนวน หากอุปกรณ์ตัดสัมผัสกับสายที่มีกระแสไฟฟ้าไหลผ่านจะทำให้ส่วนที่เป็นโลหะของเครื่องมือไฟฟ้าเกิดมีกระแสไฟฟ้าด้วย และส่งผลให้ผู้ใช้เครื่องถูกไฟฟ้ากระตุกได้
- ▶ ใช้เครื่องตรวจที่เหมาะสมตรวจหาท่อ สายไฟฟ้า หรือสายโทรศัพท์ ที่อาจซ่อนอยู่ในบริเวณที่ทำงาน หรือขอความช่วยเหลือจากบริษัทสาธารณูปโภคในท้องถิ่น การสัมผัสกับสายไฟฟ้าอาจทำให้เกิดไฟไหม้หรือถูกไฟฟ้าดูด การทำให้ท่อแก๊สเสียหายอาจทำให้เกิดระเบิด การเจาะเข้าในท่อน้ำทำให้ทรัพย์สินเสียหาย หรืออาจเป็นเหตุให้ถูกไฟฟ้าดูดได้
- ▶ เมื่อใช้เครื่องทำงาน ต้องใช้มือทั้งสองจับเครื่อง ให้แน่น และตั้งทำยีนที่มั่นคงเสมอ เครื่องมือไฟฟ้าสามารถเคลื่อนนำได้มั่นคงกว่าเมื่อใช้มือทั้งสองข้างจับ
- ▶ ยึดชิ้นงานให้แน่น การยึดชิ้นงานด้วยเครื่องมือหรือแท่นจับจะมั่นคงกว่าการยึดด้วยมือ
- ▶ ก่อนวางเครื่องลงบนพื้นทุกครั้งต้องรอให้เครื่องหยุดนิ่งอยู่กับที่เสมอ มิฉะนั้นเครื่องมือที่ปล่อยอาจติดขัดและนำไปสู่การสูญเสียการควบคุมเครื่องมือไฟฟ้า

รายละเอียดผลิตภัณฑ์และ ข้อมูลจำเพาะ



**ต้องอ่านคำเตือนเพื่อความปลอดภัยและ
คำสั่งทั้งหมด** การไม่ปฏิบัติตามคำเตือนและ
คำสั่งอาจเป็นสาเหตุให้ถูกไฟฟ้าดูด เกิด
ไฟไหม้ และ/หรือได้รับบาดเจ็บอย่างร้ายแรง

ประโยชน์การใช้งานของเครื่อง

เครื่องนี้ใช้สำหรับเจาะตอกในคอนกรีต อิฐ และหิน และ
ยังใช้สำหรับ งานสกัดเบาๆ นอกจากนี้ยัง เหมาะสำหรับ
เจาะโดยไม่กระแทกในไม้ โลหะ เซรามิก และพลาสติก
เครื่องที่มีระบบควบคุมอิเล็กทรอนิกส์และการหมุนซ้าย/
ขวาสามารถใช้ขันสกรูได้ด้วย

ส่วนประกอบผลิตภัณฑ์

ลำดับเลขของส่วนประกอบผลิตภัณฑ์อ้างอิงถึงส่วนประกอบ
ของเครื่องที่แสดงในหน้าภาพประกอบ

- 1 ด้ามจับเครื่องมือ SDS-plus
- 2 ฝาครอบกันฝุ่น
- 3 ปลอกสำหรับล้อค
- 4 แหวนล้อคของด้ามจับเครื่องมือ
- 5 สวิตช์เลือกวิธีปฏิบัติงาน
- 6 ตัวหน่วงการสั่นสะเทือน
- 7 สวิตช์เปิด-ปิด
- 8 สวิตช์เปลี่ยนทิศทางการหมุน
- 9 ปุ่มปรับก้านวัดความลึก
- 10 ด้ามจับเพิ่ม (พื้นผิวจับหุ้มฉนวน)
- 11 ก้านวัดความลึก
- 12 ด้ามจับ (พื้นผิวจับหุ้มฉนวน)
- 13 หัวจับดอกโร้เพื่อองในชนิดเปลี่ยนเร็ว*
- 14 ปลอกหน้าของหัวจับดอกโร้เพื่อองในชนิดเปลี่ยนเร็ว*
- 15 แหวนกันของหัวจับดอกโร้เพื่อองในชนิดเปลี่ยนเร็ว*
- 16 ปลอกดูดของอุปกรณ์ดูดฝุ่น*
- 17 น็อตหนีบสำหรับอุปกรณ์ดูดฝุ่น*
- 18 ก้านวัดความลึกของอุปกรณ์ดูดฝุ่น*
- 19 ท่อลมปล่องแบบกลองสองทางไกลของอุปกรณ์ดูดฝุ่น*
- 20 น็อตปีกของอุปกรณ์ดูดฝุ่น*
- 21 ท่อนำของอุปกรณ์ดูดฝุ่น*

* อุปกรณ์ประกอบที่แสดงหรือระบุไม่รวมอยู่ในการจัดส่งมาตรฐาน
กรุณาดูอุปกรณ์ประกอบทั้งหมดในรายการแสดงอุปกรณ์ประกอบ
ของเรา

ข้อมูลทางเทคนิค

ส่วนโรดารี	GBH 4-32 DFR	
หมายเลขสินค้า		3 611 C32 0.. 3 611 C32 1..
กำลังไฟฟ้าเข้ากำหนด	วัตต์	900
ความเร็วรอบกำหนด	รอบ/นาที	0–760
อัตรากระแทก	/นาที	0–3600
พลังงานกระแทกต่อครั้ง ตามระเบียบการ-EPTA- Procedure 05/2009	จูล	5.0
ตำแหน่งสกัด		12
ด้ามจับเครื่องมือ		SDS-plus
การหยอดน้ำมันหล่อลื่น		การหยอดน้ำมันหล่อ ลื่นถาวร ส่วนกลาง
Ø-การเจาะ สูงสุด		
- คอนกรีต (ใช้ดอกสว่านร่องเกลียว)	มม.	32
- งานก่ออิฐ (ใช้ดอกถอนแกน)	มม.	90
- เหล็ก	มม.	13
- ไม้	มม.	32
น้ำหนักตามระเบียบการ- EPTA-Procedure 01:2014	กก.	4.7
ระดับความปลอดภัย		<input checked="" type="checkbox"/> / II
ค่าที่ใช้ได้กับแรงดันไฟฟ้าระบุ [U] 230 โวลต์ ค่าเหล่านี้อาจผิดแผก ไปสำหรับแรงดันไฟฟ้าที่ต่ำกว่า และไม่เคลที่สร้างสำหรับเฉพาะประเทศ		

การประกอบ

▶ ดึงปลั๊กไฟออกจากเต้าเสียบก่อนปรับแต่งเครื่อง

ด้ามจับเพิ่ม

▶ ให้ใช้เครื่องมือไฟฟ้าพร้อมกับด้ามจับเพิ่ม 10 เสมอ

ท่านสามารถจับด้ามจับเพิ่ม 10 หันไปยังตำแหน่งใดก็ได้ เพื่อ
จะได้ทำงานที่มั่นคงและเหนียวน้อย

- หมุนส่วนล่างของด้ามจับเพิ่ม 10 ไปในทิศทวนเข็มนาฬิกา
และหันด้ามจับเพิ่ม 10 ไปยังตำแหน่งที่ต้องการ จากนั้น
ขันด้ามจับเพิ่ม 10 เข้าให้แน่นเหมือนเดิม โดยหมุนไปใน
ทิศตามเข็มนาฬิกา

การปรับความลึกรูเจาะ (คุณภาพประกอบ A)

ความลึกรูเจาะที่ต้องการ X สามารถตั้งได้ด้วยก้านวัด
ความลึก 11

- กดปุ่มปรับก้านวัดความลึก 9 และสอดก้านวัดความลึก
เข้าในด้ามจับเพิ่ม 10
- ใส่เครื่องมือเจาะ SDS-plus เข้าในด้ามจับเครื่องมือ
SDS-plus 1 จนสุด หากใส่ไม่สุดเครื่องมือเจาะ SDS-
plus จะเคลื่อนที่ได้ และจะทำให้ปรับความลึกรูเจาะ
ได้ไม่ถูกต้อง

32 | ภาษาไทย

- ดันก้านวัดความลึกออกมาจนระยะห่างระหว่างปลายดอกสว่านและปลายก้านวัดความลึกเท่ากับความลึกรูเจาะที่ต้องการ **X**
ต้องหันด้านที่เป็นสันของก้านวัดความลึก **11** ลงข้างล่าง

การเลือกตามจับเครื่องมือ

สำหรับการเจาะดอก ต้องใช้เครื่องมือเจาะ SDS-plus ที่สามารถใส่เข้าไปตามจับเครื่องมือ SDS-plus **1** ได้ สำหรับการเจาะโดยไม่กระทบแทกโนไมท์ โลหะ เซรามิก และพลาสติก รวมทั้งการขันสกรูและการทำเกลียว ต้องใช้เครื่องมือเจาะที่ไม่ใช่ SDS-plus (ค. ย. เช่น ดอกสว่านที่มีก้านทรงกระบอก) ต้องใช้หัวจับดอกไว้เพื่อในสำหรับเครื่องมือเจาะประเภทนี้

หมายเหตุ: อย่าใช้เครื่องมือที่ไม่มี SDS-plus เพื่อเจาะดอกหรือสกัด! เครื่องมือที่ไม่มี SDS-plus รวมทั้งหัวจับดอกของเครื่องมืออาจชำรุดจากการเจาะดอกหรือสกัด

ตามจับเครื่องมือ SDS-plus **1** สามารถสลับเปลี่ยนกับหัวจับดอกไว้เพื่อในชนิดเปลี่ยนเร็ว **13** ได้อย่างง่ายดาย

การเปลี่ยนตามจับเครื่องมือ

การถอดตามจับเครื่องมือ SDS-plus หรือหัวจับดอกไว้เพื่อในชนิดเปลี่ยนเร็ว (ดูภาพประกอบ B)

- ดึงแหวนล็อกของตามจับเครื่องมือ **4** ไปยังทิศทางลูกศร อย่างมั่นคง จับแหวนล็อกไว้ในตำแหน่งนี้และดึงตามจับเครื่องมือ **1** หรือหัวจับดอกไว้เพื่อในชนิดเปลี่ยนเร็ว **13** ออกทางด้านหน้า

เมื่อถอดออกแล้ว ต้องป้องกันตามจับเครื่องมือ **1** หรือหัวจับดอกไว้เพื่อในชนิดเปลี่ยนเร็ว **13** ไม่ให้เบียดสปริง หากจำเป็น ให้หยอดน้ำมันหล่อลื่นบางๆ ตรงร่องขบ

การประกอบตามจับเครื่องมือ SDS-plus หรือหัวจับดอกไว้เพื่อในชนิดเปลี่ยนเร็ว (ดูภาพประกอบ B)

- ▶ **ใช้อุปกรณ์ประกอบของแท่งเฉพาะรุ่นเท่านั้น และต้องใส่ใจดูจำนวนของร่องเอกลักษณ์ ด้วยอนุญาตให้ใช้เฉพาะหัวจับดอกชนิดเปลี่ยนเร็วที่มีร่องเอกลักษณ์สองร่องเท่านั้น** หากใช้หัวจับดอกชนิดเปลี่ยนเร็วที่ไม่เหมาะสม เครื่องมือใช้งานอาจหล่นออกมาขณะทำงาน
- จับตามจับเครื่องมือ **1** หรือหัวจับดอกไว้เพื่อในชนิดเปลี่ยนเร็ว **13** เดิมๆ มือ เลื่อนตามจับเครื่องมือ **1** หรือหัวจับดอกไว้เพื่อในชนิดเปลี่ยนเร็ว **13** หมุนใส่บนข้อรับหัวจับดอกจนได้ยินเสียงลงล็อกอย่างชัดเจน
- ตามจับเครื่องมือ **1** หรือหัวจับดอกไว้เพื่อในชนิดเปลี่ยนเร็ว **13** จะล็อกโดยอัตโนมัติ ดึงตามจับเครื่องมือเพื่อตรวจสอบการล็อก

การเปลี่ยนเครื่องมือ

ตามจับเครื่องมือ SDS-plus ทำให้ท่านสามารถเปลี่ยนเครื่องมือได้สะดวกง่ายดายโดยไม่ต้องใช้อุปกรณ์ช่วยอื่นๆ ตามเงื่อนไขของระบบทำงาน เครื่องมือเจาะ SDS-plus สามารถเคลื่อนไหวได้อย่างอิสระ ด้วยเหตุนี้ เมื่อปล่อยให้วิ่งตัวเปล่า เครื่องมือจะวิ่งออกนอกรัศมีอยู่บ้าง ซึ่งจะไม่ปลอดภัย

ความเที่ยงตรงของรูเจาะ เพราะเมื่อเจาะรู ดอกสว่านจะตั้งตัวให้อยู่ตรงกลางเอง

ฝาครอบกันฝุ่น **2** สามารถป้องกันไม่ให้อันที่ที่เกิดจากการเจาะลอดเข้าไปในหัวจับดอกขณะปฏิบัติงานได้เป็นอย่างดี เมื่อใส่เครื่องมือ ต้องระวังอย่าทำให้ฝาครอบกันฝุ่น **2** ชำรุด

▶ **ควรเปลี่ยนฝาครอบกันฝุ่นที่ชำรุดโดยทันที เราขอแนะนำว่า ควรส่งให้ศูนย์บริการหลังการขายเปลี่ยนให้**

การใส่เครื่องมือเจาะ SDS-plus (ดูภาพประกอบ C)

- ทำความสะอาดและทาลูบมันบางๆ ที่ปลายก้านเครื่องมือ
- จับเครื่องมือหมุนใส่ในหัวจับดอกจนเครื่องมือล็อกตัวเอง
- ดึงเครื่องมือเพื่อตรวจสอบการล็อก

การถอดเครื่องมือเจาะ SDS-plus (ดูภาพประกอบ D)

- ดันปลอกสำหรับล็อก **3** ไปด้านหลัง และเอาเครื่องมือออก

การใส่เครื่องมือเจาะที่ไม่มี SDS-plus (ดูภาพประกอบ E)

หมายเหตุ: อย่าใช้เครื่องมือที่ไม่มี SDS-plus เพื่อเจาะดอกหรือสกัด! เครื่องมือที่ไม่มี SDS-plus รวมทั้งหัวจับดอกของเครื่องมืออาจชำรุดจากการเจาะดอกหรือสกัด

- ใส่หัวจับดอกไว้เพื่อในชนิดเปลี่ยนเร็ว **13**
- จับแหวนกันของหัวจับดอกไว้เพื่อในชนิดเปลี่ยนเร็ว **13** ให้แน่นเปิดหัวจับดอกไว้เพื่อในชนิดเปลี่ยนเร็วโดยหมุนปลอกหน้าไปยังทิศที่มีสัญลักษณ์ "**RELEASE, AUF**"
- จับเครื่องมือใส่ในหัวจับดอกไว้เพื่อในชนิดเปลี่ยนเร็ว **13** จับแหวนกันของหัวจับดอกไว้เพื่อในชนิดเปลี่ยนเร็ว **13** ให้แน่น และหมุนปลอกหน้าไปยังทิศที่มีสัญลักษณ์ "**GRIP, ZU**"
- ดึงเครื่องมือเพื่อตรวจสอบการเข้าในตำแหน่งอย่างแน่นหนา

หมายเหตุ: หากตามจับเครื่องมือถูกเปิดออกจนสุด และขณะหมุนตามจับเครื่องมือให้ปิดอาจได้ยินเสียงลงล็อก แต่ตามจับเครื่องมือไม่ปิดลงในกรณีนี้ ให้หมุนปลอกหน้า **14** ไปในทิศตรงข้ามกับทิศหมุนลูกศรหนึ่งครั้ง จากนั้นตามจับเครื่องมือจะสามารถปิด (แน่นสนิท) อีกครั้ง

- สับสวิทช์เลือกวิธีการปฏิบัติงาน **5** ไปยังตำแหน่ง "การเจาะ"

การถอดเครื่องมือเจาะที่ไม่มี SDS-plus (ดูภาพประกอบ E)

- จับแหวนกันของหัวจับดอกไว้เพื่อในชนิดเปลี่ยนเร็ว **13** ให้แน่นเปิดหัวจับดอกไว้เพื่อในชนิดเปลี่ยนเร็วโดยหมุนปลอกหน้าไปยังทิศที่มีสัญลักษณ์ "**RELEASE, AUF**"
- ถอดเครื่องมือเจาะออก

การดูแลผู้ด้วยอุปกรณ์ดูดฝุ่น (อุปกรณ์ประกอบ)

- ▶ ผู้ที่ได้จากวัสดุ เช่น เคลือบผิวที่มีสารตะกั่ว ไม้บางประเภท แร่ธาตุ และโลหะ อาจเป็นอันตรายต่อสุขภาพ การสัมผัสหรือการหายใจเอาฝุ่นเข้าไปอาจทำให้เกิดปฏิกิริยาแพ้ฝุ่น และ/หรือนำมาซึ่งโรคติดเชื้อระบบหายใจแก่ผู้ใช้เครื่องมือหรือผู้ที่ยืนอยู่ใกล้เคียง
- ผู้บางประเภท เช่น ฝุ่นไม้โอ๊ก หรือไม้บีช นับเป็นสารที่ทำให้เกิดมะเร็ง โดยเฉพาะอย่างยิ่งเมื่อผสมกับสารเติมแต่งเพื่อบำบัดไม้ (โครเมต ผลิตภัณฑ์รักษาเนื้อไม้) สำหรับวัสดุที่มีแอลเบสทอลต้องให้ผู้เชี่ยวชาญทำงานเท่านั้น
- ใช้ระบบดูดฝุ่นออกที่เหมาะสมกับประเภทวัสดุ มากเท่าที่จะทำได้

- จัดสถานที่ทำงานให้มีการระบายอากาศที่ดี
- ขอแนะนำให้สวมหน้ากากป้องกันการติดเชื้อที่มีระดับ-ไลกรอง P2

ปฏิบัติตามกฎข้อบังคับสำคัญอื่นๆ ที่เกี่ยวกับวัสดุชิ้นงานที่บังคับใช้ในประเทศของท่าน

- ▶ **ป้องกันการสะสมของฝุ่นในสถานที่ทำงาน** ฝุ่นสามารถถูกใหม่อย่างง่ายดาย

การประกอบอุปกรณ์ดูดฝุ่น (ดูภาพประกอบ F)

สำหรับการดูดฝุ่นออก ต้องใช้อุปกรณ์ดูดฝุ่น (อุปกรณ์ประกอบ) ขณะเจาะรู อุปกรณ์ดูดฝุ่นจะรับกลับเพื่อให้ส่วนหัวของอุปกรณ์ดูดฝุ่นอยู่ชิดกับพื้นผิวรูเจาะเสมอ

- กดปุ่มปรับก้านวัดความลึก 9 และถอดก้านวัดความลึก 11 ออก กดปุ่ม 9 อีกครั้งและใส่อุปกรณ์ดูดฝุ่นเข้าในตำแหน่ง 10 จากด้านหน้า

- ต่อท่อดูดฝุ่น (เส้นผ่าศูนย์กลาง 19 มม. อุปกรณ์ประกอบ) เข้ากับปลอกดูด 16 ของอุปกรณ์ดูดฝุ่น

เครื่องดูดฝุ่นต้องมีลักษณะการใช้งานที่เหมาะสมกับประเภทวัสดุชิ้นงาน

ในการดูดฝุ่นแห้งที่เป็นอันตรายต่อสุขภาพอย่างยิ่งหรืออาจก่อให้เกิดมะเร็งได้ ให้ใช้เครื่องดูดฝุ่นพิเศษ

การปรับความลึกรูเจาะบนอุปกรณ์ดูดฝุ่น (ดูภาพประกอบ G)

ความลึกรูเจาะที่ต้องการ X สามารถปรับได้แม้มีอุปกรณ์ดูดฝุ่นประกอบติดอยู่

- ใส่เครื่องมือเจาะ SDS-plus เข้าในตำแหน่งเครื่องมือ SDS-plus 1 จนสุด หากใส่ไม่สุดเครื่องมือเจาะ SDS-plus จะเคลื่อนที่ได้ และจะทำให้ปรับความลึกรูเจาะได้ไม่ถูกต้อง
- คลายน็อตปิ๊ก 20 บนอุปกรณ์ดูดฝุ่น
- จับเครื่องมือไฟฟ้าเข้าหาจุดที่จะเจาะอย่างมั่นคงโดยไม่ต้องเปิดสวิตช์ เครื่องมือเจาะ SDS-plus ต้องหันเข้าหาพื้นผิวที่จะเจาะ
- เลื่อนท่อนำ 21 ของอุปกรณ์ดูดฝุ่นในที่ยึดของมัน ในลักษณะให้หัวของอุปกรณ์ดูดฝุ่นหันเข้าหาพื้นผิวที่จะเจาะอย่างเลื่อนท่อนำ 21 ครอบเหนือท่อสวมปล้องแบบกลิ้งสองทางไกล 19 ของอุปกรณ์ดูดฝุ่นมากเกินจำเป็น ต้องเลื่อนครอบให้หมดมาตราส่วน 19 บนท่อสวมปล้องแบบกลิ้งสองทางไกลให้ได้มากที่สุด
- ชันน็อตปิ๊ก 20 กลับให้แน่นตามเดิม คลายน็อตหนึบ 17 บนก้านวัดความลึกของอุปกรณ์ดูดฝุ่น
- เลื่อนก้านวัดความลึก 18 บนท่อสวมปล้องแบบกลิ้งสองทางไกล 19 ในลักษณะให้ช่องว่าง X ดังปรากฏในภาพประกอบมีค่าเท่ากับความลึกรูเจาะที่ต้องการ
- ชันน็อตหนึบ 17 ในตำแหน่งนี้เข้าให้แน่น

การปฏิบัติงาน

เริ่มต้นปฏิบัติงาน

- ▶ **ให้สังเกตแรงดันไฟฟ้า! แรงดันไฟฟ้าจากแหล่งจ่ายไฟฟ้าต้องมีค่าตรงกับค่าแรงดันไฟฟ้าที่ระบุไว้บนแผ่นป้ายติดเครื่อง**

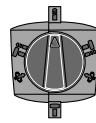
การตั้งวิธีการปฏิบัติงาน

ท่านสามารถเลือกวิธีการปฏิบัติงานของเครื่องมือไฟฟ้าด้วยสวิตช์เลือกวิธีการปฏิบัติงาน 5

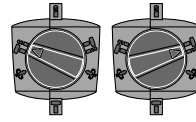
หมายเหตุ:

เปลี่ยนวิธีการปฏิบัติงานเฉพาะเมื่อเครื่องเปิดสวิตช์อยู่เท่านั้น! มิฉะนั้นเครื่องจะชำรุดเสียหายได้

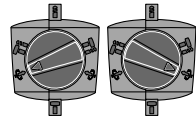
- สับสวิตช์เลือกวิธีการปฏิบัติงาน 5 ไปยังตำแหน่งที่ต้องการ



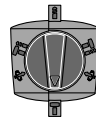
ตำแหน่งสำหรับ **การเจาะ** โดยไม่กระทบในไม้ โลหะ เซรามิก และพลาสติก รวมทั้งการขันสลัก



ตำแหน่งสำหรับ **การเจาะตอก** ในคอนกรีตหรือหิน หากเครื่องมือเจาะไม่หมุนในทันทีที่เปิดสวิตช์เครื่องทำงานให้ปล่อยเครื่องวิ่งไปช้าๆ จนกว่าเครื่องมือจะหมุนตามไป



ตำแหน่ง **Vario-Lock** สำหรับปรับตำแหน่งสลัก



ตำแหน่งสำหรับ **การสกัด**

การกลับทิศทางการหมุน

- ▶ **สับสวิตช์เปลี่ยนทิศทางการหมุน 8 เมื่อเครื่องหยุดนิ่งอยู่กับที่เท่านั้น**

สวิตช์เปลี่ยนทิศทางการหมุน 8 ใช้สำหรับกลับทิศทางการหมุนของเครื่อง

การหมุนทางขวา: สับสวิตช์เปลี่ยนทิศทางการหมุน 8 ไปจนสุดในตำแหน่ง ◀ .

การหมุนทางซ้าย: สับสวิตช์เปลี่ยนทิศทางการหมุน 8 ไปจนสุดในตำแหน่ง ▶ .

ตั้งทิศทางการหมุนสำหรับการเจาะตอก การเจาะ และการสกัด ไว้ที่การหมุนทางขวาเสมอ

การเปิด-ปิดเครื่อง

- **เปิดเครื่องทำงาน** โดยกดสวิตช์เปิด-ปิด 7 และกดค้างไว้
- **ปิดเครื่องโดยปล่อยนิ้วจากสวิตช์เปิด-ปิด 7**

เมื่ออุณหภูมิต่ำ เครื่องมือไฟฟ้าจะตอก/กระทบได้เต็มประสิทธิภาพหลังทำงานไปช่วงระยะเวลาหนึ่งแล้วเท่านั้น

การตั้งความเร็วรอบ/อัตรากระแทก

ท่านสามารถปรับอัตราความเร็วรอบ/กระแทกของเครื่องมือไฟฟ้าที่เปิดสวิตช์ทำงานได้อย่างต่อเนื่อง ทั้งนี้ขึ้นอยู่กับแรงที่กดลงบนสวิตช์เปิด-ปิด 7

34 | ภาษาไทย

กดสวิตช์เปิด-ปิด 7 เมฆจะได้อัตราความเร็วรอบ/กระแสตกต่ำ
กดสวิตช์แรงขึ้นอัตราความเร็วรอบ/กระแสจะเพิ่มขึ้น

คลังชุดการทำงานเกินกำลัง

- ▶ หากเครื่องมือที่ใส่อยู่เกิดขัดหรือติดแน่น แรงขับไปยังเพลาส่วนจะสะดุดหยุด เนื่องจากแรงบิดที่เกิดขึ้น ต้องถือเครื่องมือไฟฟ้าให้แน่นด้วยมือทั้งสองข้างและหาที่ยืนที่มั่นคงเสมอ
- ▶ หากเครื่องมือไฟฟ้าติดขัด ให้ปิดเครื่องและคลายเครื่องมือที่ใส่อยู่ให้เป็นอิสระ ในกรณีที่เปิดเครื่องทำงานโดยมีเครื่องมือเกาะติดขัดอยู่ อาจเกิดกำลังบิดสะท้อนอย่างรุนแรงขึ้นได้

การเปลี่ยนตำแหน่งสกัด (Vario-Lock)

ดอกสกัดสามารถล็อกได้ 13 ตำแหน่ง ในลักษณะนี้ท่านสามารถตั้งท่าทำงานได้ดีที่สุดสำหรับแต่ละรูปแบบการใช้งาน

- ใส่ดอกสกัดเข้าในหัวจับดอก
- สับสวิตช์เลือกวิธีการปฏิบัติงาน 5 ไปที่ตำแหน่ง "Vario-Lock" (ดู "การตั้งวิธีการปฏิบัติงาน" หน้า 33)
- หันหัวจับดอกไปยังตำแหน่งการสกัดที่ต้องการ
- สับสวิตช์เลือกวิธีการปฏิบัติงาน 5 ไปที่ตำแหน่งการสกัด ตอนนี้ตามจับเครื่องมือจะล็อก
- สำหรับการสกัด ให้ตั้งทิศทางการหมุนไปที่การหมุนทางขวา

ข้อแนะนำในการทำงาน

- ▶ ดึงปลั๊กไฟออกจากเต้าเสียบก่อนปรับแต่งเครื่อง
- ▶ จับเครื่องมือไฟฟ้าเข้าบนหัวสกรู/น็อตเมื่อเครื่องปิดอยู่เท่านั้น เครื่องมือที่หมุนอยู่อาจลื่นไถล
- ▶ เมื่อทำงานในบริเวณที่อุปกรณ์ตัดอาจสัมผัสกับสายไฟฟ้าที่ซ่อนอยู่หรือสายไฟฟ้าของเครื่อง ต้องจับเครื่องมือไฟฟ้าตรงตำแหน่งจับที่หุ้มฉนวน หากอุปกรณ์ตัดสัมผัสกับสายที่มีกระแสไฟฟ้าไหลผ่านจะทำให้ส่วนที่เป็นโลหะของเครื่องมือไฟฟ้าเกิดมีกระแสไฟฟ้าด้วย และส่งผลให้ผู้ใช้เครื่องถูกไฟฟ้ากระตุกได้

ตัวหน่วงการสั่นสะเทือน

ตัวหน่วงการสั่นสะเทือนที่รวมเบ็ดเสร็จอยู่ในเครื่องจะลดการสั่นสะเทือนที่เกิดขึ้น

การบำรุงรักษาและการบริการ**การบำรุงรักษาและการทำความสะอาด**

- ▶ ดึงปลั๊กไฟออกจากเต้าเสียบก่อนปรับแต่งเครื่อง
- ▶ เพื่อให้ทำงานได้อย่างถูกต้องและปลอดภัย ต้องรักษาเครื่องและช่องระบายอากาศให้สะอาดอยู่เสมอ
- ▶ ควรเปลี่ยนผ้าครอบกันฝุ่นที่ชำรุดโดยทันที เราขอแนะนำว่า ควรส่งให้ศูนย์บริการหลังการขายเปลี่ยนให้

เมื่อจำเป็นต้องเปลี่ยนสายไฟฟ้า ให้ส่งเครื่องให้บริษัท บ็อชหรือศูนย์บริการลูกค้าสำหรับเครื่องมือไฟฟ้า บ็อช ที่ได้รับมอบหมายทำการเปลี่ยนให้ เพื่อหลีกเลี่ยงอันตรายด้านความปลอดภัย

การบริการหลังการขายและคำแนะนำการใช้งาน

ศูนย์บริการหลังการขายของเรายินดีตอบคำถามเกี่ยวกับการบำรุงรักษาและการซ่อมแซมผลิตภัณฑ์ของท่าน รวมทั้งชิ้นส่วนอะไหล่ ภาพแยกชิ้นประกอบและข้อมูลเกี่ยวกับชิ้นส่วนอะไหล่ยังสามารถดูได้ใน:

www.bosch-pt.com

ทีมงานให้คำแนะนำการใช้งานของ บ็อช ยินดีตอบคำถามเกี่ยวกับผลิตภัณฑ์ของเราและอุปกรณ์ประกอบของผลิตภัณฑ์

เมื่อต้องการสอบถามและสั่งซื้ออะไหล่ กรุณาแจ้งหมายเลขสินค้า 10 หลักบนแผ่นป้ายรุ่นของผลิตภัณฑ์ทุกครั้ง

ไทย

บริษัท โรเบิร์ต บ็อช จำกัด

ชั้น 11 ดิกลีเบอร์ดี สแควร์

287 ถนนสีลม บางรัก

กรุงเทพฯ 10500

โทรศัพท์ 02 6393111

โทรสาร 02 2384783

บริษัท โรเบิร์ต บ็อช จำกัด ตู้ ปณ. 2054

กรุงเทพฯ 10501 ประเทศไทย

www.bosch.co.th

ศูนย์บริการซ่อมและฝึกอบรม บ็อช

อาคาร ลาซาลทาวเวอร์ ชั้น G ห้องเลขที่ 2

บ้านเลขที่ 10/11 หมู่ 16

ถนนศรีนครินทร์

ตำบลบางแก้ว อำเภอบางพลี

จังหวัดสมุทรปราการ 10540

ประเทศไทย

โทรศัพท์ 02 7587555

โทรสาร 02 7587525

การกำจัดขยะ

เครื่องมือ อุปกรณ์ประกอบ และหีบห่อ ต้องนำไปแยกประเภทวัสดุเพื่อนำกลับมาใช้ใหม่โดยไม่ทำลายสภาพแวดล้อม



อย่าทิ้งเครื่องมือไฟฟ้าลงในขยะบ้าน!

ขอสงวนสิทธิ์ในการเปลี่ยนแปลงโดยไม่ต้องแจ้งล่วงหน้า

Bahasa Indonesia

Petunjuk-Petunjuk untuk Keselamatan Kerja

Petunjuk-Petunjuk Umum untuk Perkakas Listrik

⚠ PERHATIKANLAH Bacalah semua petunjuk-petunjuk untuk keselamatan kerja dan petunjuk-petunjuk untuk penggunaan.

Kesalahan dalam menjalankan petunjuk-petunjuk untuk keselamatan kerja dan petunjuk-petunjuk untuk penggunaan dapat mengakibatkan kontak listrik, kebakaran dan/atau luka-luka yang berat.

Simpanlah semua petunjuk-petunjuk untuk keselamatan kerja dan petunjuk-petunjuk lainnya untuk penggunaan di masa depan.

Kata „perkakas listrik“ yang disebutkan di dalam petunjuk-petunjuk untuk keselamatan kerja adalah sebutan untuk perkakas listrik pakai listrik jaringan (dengan kabel) dan untuk perkakas listrik tenaga baterai (tanpa kabel listrik).

Keselamatan kerja di tempat kerja

- ▶ **Jagalah supaya tempat kerja selalu bersih dan terang.** Tempat kerja yang tidak rapi atau tidak terang dapat mengakibatkan terjadinya kecelakaan.
- ▶ **Janganlah menggunakan perkakas listrik di tempat di mana dapat terjadi ledakan, di mana ada cairan, gas atau debu yang mudah terbakar.** Perkakas listrik dapat memancarkan bunga api yang lalu mengakibatkan debu atau uap terbakar.
- ▶ **Selama menggunakan perkakas listrik, jauhkan anak-anak dan orang-orang lain dari tempat kerja.** Jika konsentrasi terganggu, bisa jadi Anda tidak bisa mengendalikan perkakas listrik tersebut.

Keamanan listrik

- ▶ **Steker dari perkakas listrik harus cocok pada stopkontak. Janganlah sekali-kali merubah steker. Janganlah menggunakan steker perantara bersama dengan perkakas listrik yang mempunyai hubungan arde.** Steker yang tidak dirubah dan stopkontak yang cocok mengurangi bahaya terjadinya kontak listrik.
- ▶ **Jagalah supaya badan Anda tidak bersentuhan dengan permukaan yang mempunyai hubungan arde, misalnya pipa-pipa, radiator pemanas ruangan, kompor listrik dan lemari es.** Ada risiko besar terjadi kontak listrik, jika badan Anda mempunyai hubungan arde.
- ▶ **Jagalah supaya perkakas listrik tidak kena hujan atau menjadi basah.** Air yang masuk ke dalam perkakas listrik menambah risiko terjadinya kontak listrik.
- ▶ **Janganlah menyalahgunakan kabel listrik untuk mengangkat dan menggantungkan perkakas listrik atau untuk menarik steker dari stopkontak. Jagalah supaya kabel listrik tidak kena panas, minyak, pinggiran yang tajam atau bagian-bagian perkakas**

yang bergerak. Kabel listrik yang rusak atau tersangkut menambah risiko terjadinya kontak listrik.

- ▶ **Jika Anda menggunakan perkakas listrik di luar gedung, gunakanlah hanya kabel sambungan yang juga cocok untuk pemakaian di luar gedung.** Penggunaan kabel sambungan yang cocok untuk pemakaian di luar gedung mengurangi risiko terjadinya kontak listrik.
- ▶ **Jika penggunaan perkakas listrik di tempat yang basah tidak bisa dihindarkan, gunakanlah sakelar pengaman terhadap arus penyimpangan.** Penggunaan sakelar pengaman terhadap arus penyimpangan mengurangi risiko terjadinya kontak listrik.

Keselamatan kerja

- ▶ **Berhati-hatilah selalu, perhatikanlah apa yang Anda kerjakan dan bekerjalah dengan seksama jika menggunakan perkakas listrik. Janganlah menggunakan perkakas listrik, jika Anda capai atau berada di bawah pengaruh narkoba, minuman keras atau obat.** Jika Anda sekejap mata saja tidak berhati-hati sewaktu menggunakan perkakas listrik, dapat terjadi luka-luka berat.
- ▶ **Pakailah pakaian dan sarana pelindung dan pakailah selalu kaca mata pelindung.** Dengan memakai pakaian dan sarana pelindung, misalnya kedok anti debu (masker), sepatu tertutup yang tidak licin, helm pelindung atau pemalut telinga sesuai dengan pekerjaan yang dilakukan dengan perkakas listrik, bahaya terjadinya luka-luka dapat dikurangi.
- ▶ **Jagalah supaya perkakas listrik tidak dihidupkan secara tidak disengaja. Perhatikan bahwa perkakas listrik dalam penyetelan mati, jika steker disambungkan pada pengadaan listrik dan/atau baterai, jika perkakas listrik diangkat atau dibawa.** Jika selama mengangkat perkakas listrik jari Anda berada pada tombol untuk menghidupkan dan mematikan atau perkakas listrik yang dalam penyetelan hidup disambungkan pada listrik, dapat terjadi kecelakaan.
- ▶ **Lepaskan semua perkakas-perkakas penyetelan atau kunci-kunci pas sebelum perkakas listrik dihidupkan.** Perkakas atau kunci yang berada di dalam bagian yang berputar dapat mengakibatkan terjadinya luka-luka.
- ▶ **Aturkan badan sedemikian sehingga Anda bisa bekerja dengan aman. Berdirilah secara mantap dan jagalah selalu keseimbangan.** Dengan demikian Anda bisa mengendalikan perkakas listrik dengan lebih baik, jika terjadi sesuatu dengan tiba-tiba.
- ▶ **Pakailah pakaian yang cocok. Janganlah memakai pakaian yang longgar atau perhiasan. Jagalah supaya rambut, pakaian dan sarung tangan tidak masuk dalam bagian-bagian perkakas yang bergerak.** Pakaian yang longgar, rambut panjang atau perhiasan dapat tersangkut dalam bagian perkakas yang bergerak.
- ▶ **Jika ada kemungkinan untuk memasang sarana penghisapan dan penampungan debu, perhatikan bahwa sarana-sarana ini telah dipasangkan dan digunakan dengan betul.** Penggunaan sarana penghisapan bisa mengurangi bahaya yang disebabkan debu.

36 | Bahasa Indonesia

Penggunaan dan penanganan perkakas listrik dengan seksama

- ▶ **Janganlah membebankan perkakas listrik terlalu berat. Gunakan selalu perkakas listrik yang cocok untuk pekerjaan yang dilakukan.** Dengan perkakas listrik yang cocok Anda bekerja lebih baik dan lebih aman dalam batas-batas kemampuan yang ditentukan.
- ▶ **Janganlah menggunakan perkakas listrik yang tombolnya rusak.** Perkakas listrik yang tidak bisa dihidupkan atau dimatikan, berbahaya dan harus direparasikan.
- ▶ **Tariklah steker dari stopkontak dan/atau keluarkan baterai, sebelum Anda melakukan penyetulan pada perkakas listrik, mengganti alat-alat kerja atau sebelum menyimpan perkakas listrik.** Tindakan keselamatan kerja ini mengurangi bahaya perkakas listrik hidup secara tidak disengaja.
- ▶ **Simpanlah perkakas listrik yang tidak digunakan di luar jangkauan anak-anak. Janganlah mengizinkan orang-orang yang tidak mengenal perkakas listrik ini atau yang belum membaca petunjuk-petunjuk ini, menggunakan perkakas listrik ini.** Perkakas listrik bisa menjadi berbahaya, jika digunakan oleh orang-orang yang tidak mengenalnya.
- ▶ **Rawatlah perkakas listrik dengan seksama. Periksa, apakah bagian-bagian perkakas listrik yang bergerak berfungsi dengan baik dan tidak tersangkut, apakah ada bagian-bagian yang patah atau rusak sedemikian, sehingga dapat mempengaruhi jalannya perkakas listrik. Biarkan bagian-bagian perkakas yang rusak direparasikan, sebelum Anda mulai menggunakan perkakas listrik.** Banyak kecelakaan terjadi karena perkakas listrik tidak dirawat dengan seksama.
- ▶ **Perhatikan supaya alat-alat pemotong selalu tajam dan bersih.** Alat-alat pemotong dengan mata-mata pemotong yang tajam dan dirawat dengan seksama tidak mudah tersangkut dan lebih mudah dikendalikan.
- ▶ **Gunakanlah semua perkakas listrik, aksesor, alat-alat kerja dsb. sesuai dengan petunjuk-petunjuk. Perhatikan syarat-syarat kerja dan macam pekerjaan yang dilakukan.** Penggunaan perkakas listrik untuk macam pekerjaan yang tidak cocok dengan kegunaannya bisa mengakibatkan keadaan yang berbahaya.

Servis

- ▶ **Biarkan perkakas listrik Anda direparasikan hanya oleh orang-orang ahli yang berpengalaman dan hanya dengan menggunakan suku cadang yang asli.** Dengan demikian terjamin keselamatan kerja dengan perkakas listrik ini secara berkesinambungan.

Petunjuk-petunjuk untuk keselamatan kerja dengan palu

- ▶ **Pakailah pemalut telinga.** Jika Anda mendengar suara bisung untuk waktu yang lama, daya pendengaran bisa berkurang.

- ▶ **Gunakanlah gagang tambahan-gagang tambahan, jika ini dipasok bersama dengan perkakas listrik.** Perkakas listrik yang tidak bisa dikendalikan bisa mengakibatkan terjadinya luka-luka.
- ▶ **Peganglah perkakas listrik hanya pada pegangan yang terisolir jika Anda melakukan pekerjaan yang memungkinkan alat pemotong ini menjalin kontak dengan kabel listrik yang tidak terlihat atau kabelnya sendiri.** Alat kerja yang bersentuhan dengan kabel yang bertegangan dapat mengakibatkan bagian-bagian logam dari perkakas listrik juga ikut dialiri tegangan arus dan mengakibatkan terjadinya kontak listrik.
- ▶ **Gunakanlah alat detektor logam yang cocok untuk mencari kabel dan pipa yang tidak terlihat atau hubungi perusahaan pengadaan setempat.** Sentuhan dengan kabel-kabel listrik dapat mengakibatkan api dan kontak listrik. Pipa gas yang dirusak dapat mengakibatkan ledakan. Pipa air yang dirusak mengakibatkan kerusakan barang-barang atau dapat mengakibatkan kontak listrik.
- ▶ **Selama digunakan, peganglah perkakas listrik dengan kedua belah tangan dan perhatikanlah supaya Anda berdiri secara teguh.** Perkakas listrik bisa dikendalikan lebih baik jika dipegang dengan kedua belah tangan.
- ▶ **Usahakan supaya benda yang dikerjakan tidak goyang.** Benda yang ditahan dalam alat pemegang atau bais lebih mantap daripada benda yang dipegang dengan tangan.
- ▶ **Sebelum meletakkan perkakas listrik, tunggulah sampai perkakas berhenti memutar.** Alat kerja bisa tersangkut dan membuat perkakas listrik tidak bisa dikendalikan.

Penjelasan tentang produk dan daya

Bacalah semua petunjuk-petunjuk untuk keselamatan kerja dan petunjuk-petunjuk untuk penggunaan. Kesalahan dalam menjalankan petunjuk-petunjuk untuk keselamatan kerja dan petunjuk-petunjuk untuk penggunaan dapat mengakibatkan kontak listrik, kebakaran dan/atau luka-luka yang berat.

Penggunaan alat

Perkakas listrik ini cocok untuk membor dengan hamering pada beton, batu bata dan batu-batuan serta untuk pekerjaan memahat yang ringan. Perkakas listrik ini juga cocok untuk membor tanpa getaran di kayu, logam, bahan keramik dan bahan sintetik. Perkakas listrik dengan pengendalian secara elektronika dan putaran ke kanan/kiri juga cocok untuk menyekrup.

Bagian-bagian pada gambar

Nomor-nomor dari bagian-bagian perkakas pada gambar sesuai dengan gambar perkakas listrik pada halaman bergambar.

- 1 Pemegang alat kerja SDS-plus
- 2 Kap pelindung debu
- 3 Selubung pengunci
- 4 Ring pengunci dari pemegang alat kerja

- 5 Sakelar pengatur tanpa hamering/tanpa putaran
- 6 Peredaman getaran
- 7 Tombol untuk menghidupkan dan mematikan
- 8 Omsakelar arah putaran
- 9 Tombol untuk mengganti penyetelan pembatas kedalaman lubang
- 10 Gagang tambahan (genggaman terisolir)
- 11 Pembatas kedalaman
- 12 Pegangan (genggaman terisolir)
- 13 Cekaman mata bor yang bisa diganti-ganti yang dikunci dan dibuka dengan tangan*
- 14 Selubung depan dari cekaman mata bor yang bisa diganti-ganti yang dikunci dan dibuka dengan tangan*
- 15 Ring pemegang cekaman mata bor yang bisa diganti-ganti yang dikunci dan dibuka dengan tangan*
- 16 Lubang penghisapan Saugfix*
- 17 Baut penjepit Saugfix*
- 18 Pembatas kedalaman lubang Saugfix*
- 19 Pipa teleskop Saugfix*
- 20 Baut kupu-kupu Saugfix*
- 21 Pipa penghantar Saugfix*

*Aksesori yang ada pada gambar atau yang dijelaskan, tidak termasuk pasokan standar. Semua aksesori yang ada bisa Anda lihat dalam program aksesori Bosch.

Data teknis

Mesin bor pakai hamering		GBH 4-32 DFR
Nomor model		3 611 C32 0.. 3 611 C32 1..
Masukan nominal	W	900
Kecepatan putaran nominal	min ⁻¹	0 – 760
Banyaknya getaran	min ⁻¹	0 – 3 600
Daya tiap-tiap getar sesuai dengan EPTA-Procedure 05/2009	J	5,0
Posisi penyetelan pahat		12
Pemegang alat kerja		SDS-plus
Pelumasan		Pelumasan sentral yang tidak terhenti
Ø mata bor maks.		
– Beton (dengan mata bor berulir)	mm	32
– Tembok (dengan mata bor pipa)	mm	90
– Baja	mm	13
– Kayu	mm	32
Berat sesuai dengan EPTA-Procedure 01:2014	kg	4,7
Klasifikasi keamanan		□/II

Data-data berlaku untuk tegangan nominal [U] 230 V. Pada tegangan yang lebih rendah dan pada model khusus mancanegara data-data ini bisa berlainan.

Cara memasang

- ▶ **Sebelum mulai dengan pekerjaan pada perkakas listrik, tariklah steker dari stopkontak.**

Gagang tambahan

- ▶ **Gunakanlah perkakas listrik hanya dengan gagang tambahan 10.**

Anda bisa memutarakan gagang tambahan 10 ke kedudukan yang cocok dengan macam pekerjaan, supaya posisi kerja mantap dan tidak begitu melelahkan.

- Putarkan pegangan bagian bawah dari gagang tambahan 10 dalam arah yang berlawanan dengan jalannya jarum jam dan putarkan gagang tambahan 10 ke kedudukan yang dikehendaki. Setelah itu pegangan bagian bawah dari gagang tambahan 10 dikencangkan dengan cara memutarkannya dalam arah jalannya jarum jam.

Menyetel kedalaman pemboran (lihat gambar A)

Dengan pembatas kedalaman lubang 11 kedalaman pemboran X bisa disetelkan.

- Tekan tombol untuk mengganti penyetelan pembatas kedalaman lubang 9 dan pasangkan pembatas kedalaman lubang pada gagang tambahan 10.
- Dorongkan alat kerja SDS-plus ke dalam pemegang alat kerja SDS-plus 1 sampai batas. Alat kerja SDS-plus yang bergoyang bisa menyebabkan penyetelan kedalaman lubang yang tidak betul.
- Tarik pembatas kedalaman lubang sedemikian, sampai jarak antara pucuk mata bor dan pucuk pembatas kedalaman lubang adalah kedalaman pemboran X yang dikehendaki.
Sisi yang bergerigi dari pembatas kedalaman lubang 11 harus menghadap ke bawah.

Memilih pemegang alat kerja

Untuk pekerjaan membor pakai hamering Anda harus menggunakan alat kerja-alat kerja SDS-plus yang dipasangkan dalam pemegang alat kerja 1.

Untuk pekerjaan membor tanpa getaran di kayu, logam, keramik dan bahan sintetik serta untuk menyekrup dan mentap diperlukan alat kerja-alat kerja tanpa SDS-plus (misalnya mata bor dengan gagang berbentuk silinder). Untuk alat kerja-alat kerja ini diperlukan cekaman mata bor yang dikunci dan dibuka dengan tangan.

Petunjuk: Janganlah menggunakan alat kerja-alat kerja tanpa SDS-plus untuk membor pakai hamering atau untuk memahat! Alat kerja-alat kerja tanpa SDS-plus dan cekaman mata bornya menjadi rusak jika digunakan untuk membor pakai hamering dan memahat.

Pemegang alat kerja SDS-plus 1 bisa digantikan dengan cekaman mata bor 13 yang bisa diganti-ganti yang dikunci dan dibuka dengan tangan dengan mudahnya.

38 | Bahasa Indonesia

Mengganti pemegang alat kerja**Melepaskan pemegang alat kerja SDS-plus atau cekaman mata bor yang bisa diganti-ganti yang dikunci dan dibuka dengan tangan (lihat gambar B)**

- Tarikkanlah ring pengunci dari pemegang alat kerja **4** keras-keras dalam arah panah, tahan dalam posisi ini dan tarikkanlah pemegang alat kerja **1** atau cekaman mata bor yang bisa diganti-ganti yang dikunci dan dibuka dengan tangan **13** ke depan sampai lepas.

Setelah dilepaskan, lindungilah pemegang alat kerja **1** atau cekaman mata bor yang bisa diganti-ganti yang dikunci dan dibuka dengan tangan **13** terhadap pencemaran. Jika perlu, lumasilah sedikit gigi-gigi pembawa.

Memasang pemegang alat kerja atau cekaman mata bor yang bisa diganti-ganti yang dikunci dan dibuka dengan tangan (lihat gambar B)

- ▶ **Gunakanlah hanya perlengkapan yang asli dari Bosch yang khusus untuk model bersangkutan dan perhatikanlah jumlah dari alur-alur pengenalan. Hanya cekaman mata bor yang bisa diganti-ganti dengan dua alur pengenalan yang diizinkan penggunaannya.** Jika untuk perkakas listrik ini digunakan cekaman mata bor yang bisa diganti-ganti yang tidak cocok, alat kerja bisa copot selama penggunaannya.
- Pegang pemegang alat kerja **1** atau cekaman mata bor yang bisa diganti-ganti yang dikunci dan dibuka dengan tangan **13** sehingga berada dalam genggam tangan. Dorongkan pemegang alat kerja **1** atau cekaman mata bor yang bisa diganti-ganti yang dikunci dan dibuka dengan tangan **13** pada pegangan cekaman mata bor sambil diputar sampai jelas terdengar bunyi mengancing.
- Pemegang alat kerja **1** atau cekaman mata bor yang bisa diganti-ganti yang dikunci dan dibuka dengan tangan **13** mengancing sendiri. Periksa pengunciannya dengan cara menarik pemegang alat kerja.

Mengganti alat kerja

Dengan pemegang alat kerja SDS-plus Anda bisa menggantikan alat kerja dengan mudah dan cepat dan tidak diperlukan perkakas lainnya untuk membantu.

Alat kerja SDS-plus harus bisa bergerak dengan bebas. Hal ini menimbulkan penyimpangan putaran sewaktu perkakas listrik berjalan tanpa beban. Ini tidak mempengaruhi ketepatan lubang bor, karena mata bor memusat sendiri sewaktu membor.

Kap pelindung debu **2** menghindarkan debu masuk ke dalam pemegang alat kerja selama mesin digunakan. Selama memasang alat kerja, perhatikanlah supaya kap pelindung debu **2** tidak menjadi rusak.

- ▶ **Kap pelindung debu yang rusak harus segera diganti. Kami anjurkan supaya pekerjaan ini dilakukan oleh suatu Service Center Bosch.**

Memasang alat kerja SDS-plus (lihat gambar C)

- Bersihkan ujung pegang dari alat kerja dan lumasi sedikit.

- Masukkan alat kerja ke dalam pemegang alat kerja sambil memutarkannya sampai mengancing sendiri.
- Periksa apakah alat kerja sudah terkunci dengan cara menariknya.

Melepaskan alat kerja SDS-plus (lihat gambar D)

- Dorongkan selubung pengunci **3** ke belakang dan lepaskan alat kerja.

Memasang alat kerja-alat kerja tanpa SDS-plus (lihat gambar E)

Petunjuk: Janganlah menggunakan alat kerja-alat kerja tanpa SDS-plus untuk membor pakai hamering atau untuk memahat! Alat kerja-alat kerja tanpa SDS-plus dan cekaman mata bornya menjadi rusak jika digunakan untuk membor pakai hamering dan memahat.

- Pasangkan cekaman mata bor yang bisa diganti-ganti yang dikunci dan dibuka dengan tangan **13**.
- Tahan ring pemegang dari cekaman mata bor yang bisa diganti-ganti yang dikunci dan dibuka dengan tangan **13**. Buka pemegang alat kerja dengan cara memutar selubung bagian depan dalam arah simbol „**RELEASE, AUF**“.
- Pasangkan alat kerja dalam cekaman mata bor yang bisa diganti-ganti yang dikunci dan dibuka dengan tangan **13**. Tahan ring pemegang dari cekaman mata bor yang bisa diganti-ganti yang dikunci dan dibuka dengan tangan **13** dan putarkan selubung bagian depan dalam arah simbol „**GRIP, ZU**“.
- Periksa apakah kedudukannya sudah kencang dengan cara menarik alat kerja.

Petunjuk: Setelah pemegang alat kerja dibuka sampai batas, bisa jadi sewaktu pemegang alat kerja ditutup terdengar bunyi ceklek-ceklek dan pemegang alat kerja tidak menutup. Dalam hal demikian, putarkan selubung bagian depan **14** satu kali dalam arah yang berlawanan dengan arah panah. Setelah itu pemegang alat kerja bisa ditutup kembali.

- Putarkan sakelar pengatur tanpa hamering/tanpa putaran **5** ke posisi „membor“.

Melepaskan alat kerja-alat kerja tanpa SDS-plus (lihat gambar E)

- Tahan ring pemegang dari cekaman mata bor yang bisa diganti-ganti yang dikunci dan dibuka dengan tangan **13**. Buka pemegang alat kerja dengan cara memutar selubung bagian depan dalam arah simbol „**RELEASE, AUF**“.
- Lepaskan alat kerja.

Penghisapan debu dengan Saugfix (aksesori)

- ▶ Debu dari bahan-bahan seperti misalnya cat yang mengandung timbel (timah hitam), beberapa jenis kayu, bahan mineral dan logam bisa berbahaya bagi kesehatan. Menyentuh atau menghirup debu-debu ini bisa mengakibatkan reaksi alergi dan/atau penyakit saluran pernafasan dari orang yang menggunakan mesin atau orang yang berada di dekatnya. Beberapa debu tertentu seperti misalnya debu kayu pohon quercus atau pohon fagus silvatica dianggap bisa mengakibatkan penyakit kanker, terutama dalam

campuran dengan bahan-bahan tambahan untuk pengolahan kayu (kromat, obat pengawet kayu). Bahan-bahan yang mengandung asbes hanya boleh dikerjakan oleh orang-orang yang ahli.

- Gunakanlah hanya penghisap debu yang cocok untuk menghisap bahan yang dikerjakan.
- Perhatikanlah supaya ada pertukaran udara di tempat kerja.
- Kami anjurkan supaya Anda memakai kedok anti debu dengan saringan (filter) kelas P2.

Taatilah peraturan-peraturan untuk bahan-bahan yang dikerjakan yang berlaku di negara Anda.

- ▶ **Hindari debu yang banyak terkumpul di tempat kerja.** Debu dapat menyulut dengan mudahnya.

Memasang Saugfix (lihat gambar F)

Untuk penghisapan debu diperlukan sarana Saugfix (aksesori). Pada waktu pekerjaan membor Saugfix kembali dengan sendirinya, sehingga kepala Saugfix selalu dekat pada permukaan benda yang dikerjakan.

- Tekan tombol untuk mengganti penyetelan pembatas kedalaman lubang **9** dan lepaskan pembatas kedalaman lubang **11**. Tekan tombol **9** sekali lagi dan pasang Saugfix dari depan pada gagang tambahan **10**.
- Sambungkan satu slang penghisapan (diameter 19 mm, aksesori) pada lubang penghisapan **16** dari Saugfix.

Mesin penghisap debu harus cocok untuk menghisap bahan yang dikerjakan.

Gunakanlah mesin penghisap khusus jika debu yang terjadi sangat berbahaya bagi kesehatan, bisa mengakibatkan penyakit kanker atau sangat kering.

Menyetel kedalaman lubang bor pada Saugfix (lihat gambar G)

Anda juga bisa menyetelkan kedalaman lubang bor **X** yang diperlukan pada Saugfix yang terpasang.

- Dorongkan alat kerja SDS-plus ke dalam pemegang alat kerja SDS-plus **1** sampai batas. Alat kerja SDS-plus yang bergoyang bisa menyebabkan penyetelan kedalaman lubang yang tidak betul.
- Lepaskan baut kupu-kupu **20** pada Saugfix.
- Pasangkan perkakas listrik, tanpa menghidupkannya, secara mantap pada permukaan yang akan dibor. Alat kerja SDS-plus harus mengena pada permukaan yang akan dibor.
- Geserkan pipa penghantar **21** dari Saugfix sedemikian dalam pegangannya, sampai kepala Saugfix terkena pada permukaan yang akan dibor. Geserkan pipa penghantar **21** yang menyelubungi pipa teleskop **19** sesedikit mungkin, supaya bagian sebesar mungkin dari skala pada pipa teleskop **19** bisa dilihat.
- Kencangkan kembali baut kupu-kupu **20**. Lepaskan baut penjepit **17** pada pembatas kedalaman lubang dari Saugfix.
- Geserkan pembatas kedalaman lubang **18** sedemikian pada pipa teleskop **19**, sehingga jarak **X** yang terlihat pada gambar sama dengan kedalaman lubang bor yang diperlukan.
- Kencangkan baut penjepit **17** dalam kedudukan ini.

Penggunaan

Cara penggunaan

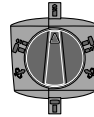
- ▶ **Perhatikan tegangan jaringan listrik! Tegangan jaringan listrik harus sesuai dengan tegangan listrik yang tercantum pada label tipe perkakas listrik.**

Menyetel macam pekerjaan

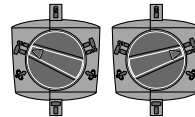
Dengan sakelar pengatur tanpa hamering/tanpa putaran **5** Anda bisa menyetelkan cara berfungsi dari perkakas listrik.

Petunjuk: Tukarkan cara berfungsi dari perkakas listrik hanya jika perkakas listrik dalam penyetelan mati! Jika tidak, perkakas listrik bisa menjadi rusak.

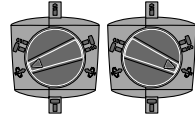
- Putarkan sakelar pengatur tanpa hamering/tanpa putaran **5** ke posisi yang diperlukan.



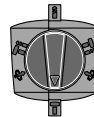
Posisi untuk **membor** tanpa getaran di kayu, logam, keramik dan bahan sintetis serta untuk menyekrup.



Posisi untuk **membor pakai hamering** di beton atau batu. Jika alat kerja tidak langsung mulai berputar pada waktu perkakas listrik dihidupkan, biarkan perkakas listrik mulai perlahan-lahan hingga alat kerja ikut berputar.



Posisi **Vario-Lock** untuk menyetel kedudukan pahat





Posisi untuk **memahat**

Menyetel arah putaran

- ▶ **Omsakelar arah putaran 8 hanya boleh digerakkan selama perkakas listrik tidak berjalan.**

Dengan omsakelar arah putaran **8** Anda bisa merubah arah putaran dari perkakas listrik.

Putaran ke kanan: Putarkan omsakelar arah putaran **8** sampai batas ke posisi .

Putaran ke kiri: Putarkan omsakelar arah putaran **8** sampai batas ke posisi .

Setelkan selalu arah putaran ke kanan pada waktu membor pakai hamering, membor dan memahat.

Menghidupkan/mematikan

- Untuk **menghidupkan**, tekan tombol untuk menghidupkan dan matikan **7** dan tahan tekanan.
- Untuk **mematikan** perkakas listrik, lepaskan tombol untuk menghidupkan dan matikan **7**.

40 | Bahasa Indonesia

Jika suhu rendah, maka baru setelah lewat beberapa waktu perkakas listrik ini mencapai daya kemampuan hamering/getar penuh.

Menyetel kecepatan putaran/banyaknya getaran

Anda bisa mengatur kecepatan putaran/ banyaknya getaran pada perkakas listrik yang sedang berjalan tanpa tingkatan, dengan cara menambah atau mengurangi tekanan pada tombol untuk menghidupkan dan mematikan 7.

Tekanan yang ringan pada tombol untuk menghidupkan dan mematikan 7 mengakibatkan kecepatan putaran yang rendah/banyaknya getaran yang sedikit. Jika tekanan ditambah, kecepatan putaran/banyaknya getaran bertambah pula.

Kopling pengaman

- ▶ **Jika alat kerja terjepit atau tersangkut, maka daya penggerak ke sumbu utama berhenti. Peganglah perkakas listrik selalu dengan kedua belah tangan dan berdirilah secara mantap, berhubung dalam hal demikian terjadi momen yang besar.**
- ▶ **Matikan perkakas listrik dan lepaskan alat kerja, jika perkakas listrik memblok. Jika perkakas listrik dengan mata bor yang memblok dihidupkan, terjadi momen reaksi yang tinggi.**

Mengganti kedudukan pahat (Vario-Lock)

Pahat bisa dikuncikan pada 13 posisi. Dengan demikian bisa disetelkan posisi kerja yang paling cocok.

- Masukkan pahat ke dalam pemegang alat kerja.
- Putarkan sakelar pengatur tanpa hamering/tanpa putaran 5 ke posisi „Vario-Lock“ (lihat „Menyetel macam pekerjaan“, halaman 39).
- Putarkan alat kerja dalam posisi pahat yang diperlukan.
- Putarkan sakelar pengatur tanpa hamering/tanpa putaran 5 ke posisi „memahat“. Dengan demikian pemegang alat kerja terkancing.
- Untuk memahat, setelkan arah putaran ke kanan.

Petunjuk-petunjuk untuk pemakaian

- ▶ **Sebelum mulai dengan pekerjaan pada perkakas listrik, tariklah steker dari stopkontak.**
- ▶ **Pasangkan perkakas listrik pada mur/sekrop hanya jika perkakas listrik dalam keadaan mati.** Alat kerja-alat kerja yang berputar bisa meleset.
- ▶ **Peganglah perkakas listrik hanya pada pegangan yang terisolir jika Anda melakukan pekerjaan yang memungkinkan alat pemotong ini menjalin kontak dengan kabel listrik yang tidak terlihat atau kabelnya sendiri.** Alat kerja yang bersentuhan dengan kabel yang bertegangan dapat mengakibatkan bagian-bagian logam dari perkakas listrik juga ikut dialiri tegangan arus dan mengakibatkan terjadinya kontak listrik.

Peredaman getaran

Peredaman getaran yang terpadu mengurangi getaran yang terjadi.

Rawatan dan servis**Rawatan dan kebersihan**

- ▶ **Sebelum mulai dengan pekerjaan pada perkakas listrik, tariklah steker dari stopkontak.**
- ▶ **Perkakas listrik dan lubang ventilasi harus selalu dibersihkan supaya perkakas bisa digunakan dengan baik dan aman.**
- ▶ **Kap pelindung debu yang rusak harus segera diganti. Kami anjurkan supaya pekerjaan ini dilakukan oleh suatu Service Center Bosch.**

Jika kabel listrik harus digantikan, pekerjaan ini harus dilakukan oleh Bosch atau Service Center untuk perkakas listrik Bosch yang resmi, supaya keselamatan kerja selalu terjamin.

Layanan pasca beli dan konseling terkait pengoperasian

Layanan pasca beli Bosch menjawab semua pertanyaan Anda terkait reparasi dan maintenance serta suku cadang produk ini. Gambar tiga dimensi dan informasi terkait suku cadang dapat Anda lihat di:

www.bosch-pt.com

Tim konseling pengoperasian dari Bosch dengan senang hati membantu Anda, jika Anda hendak bertanya tentang produk-produk kami dan aksesorisnya.

Jika Anda hendak menanyakan sesuatu atau memesan suku cadang, sebutkan selalu nomor model yang terdiri dari 10 angka dan tercantum pada label tipe produk.

Indonesia

PT Robert Bosch
Palma Tower 10th Floor
Jl. RA Kartini II-S Kaveling 6 Sek II
Pondok Pinang, Kebayoran Lama
Jakarta Selatan 12310
Tel.: (021) 3005 5800
Fax: (021) 3005 5801
E-Mail: boschpowertools@id.bosch.com
www.bosch-pt.co.id

Cara membuang

Perkakas listrik, aksesoris dan kemasan sebaiknya didaur ulang sesuai dengan upaya untuk melindungi lingkungan hidup.



Janganlah membuang perkakas listrik dalam sampah rumah tangga!

Perubahan dapat terjadi tanpa pemberitahuan sebelumnya.

Tiếng Việt

Các Nguyên Tắc An Toàn

Cảnh báo tổng quát cách sử dụng an toàn dụng cụ điện cầm tay

⚠ CẢNH BÁO Đọc kỹ mọi cảnh báo an toàn và hướng dẫn. Không tuân thủ mọi cảnh báo và hướng dẫn được liệt kê dưới đây có thể bị điện giật, gây cháy và/hoặc bị thương tật nghiêm trọng.

Hãy giữ tất cả tài liệu về cảnh báo và hướng dẫn để tham khảo về sau.

Thuật ngữ “dụng cụ điện cầm tay” trong phần cảnh báo là để cập đến sự sử dụng dụng cụ điện cầm tay của bạn, loại sử dụng điện nguồn (có dây cắm điện) hay vận hành bằng pin (không dây cắm điện).

Khu vực làm việc an toàn

- ▶ **Giữ nơi làm việc sạch và đủ ánh sáng.** Nơi làm việc bừa bộn và tối tăm dễ gây ra tai nạn.
- ▶ **Không vận hành dụng cụ điện cầm tay trong môi trường dễ gây nổ, chẳng hạn như nơi có chất lỏng dễ cháy, khí đốt hay rác.** Dụng cụ điện cầm tay tạo ra các tia lửa nên có thể làm rác bén cháy hay bốc khói.
- ▶ **Không để trẻ em hay người đến xem đứng gần khi vận hành dụng cụ điện cầm tay.** Sự phân tâm có thể gây ra sự mất điều khiển.

An toàn về điện

- ▶ **Phích cắm của dụng cụ điện cầm tay phải thích hợp với ổ cắm.** Không bao giờ được cài biến lại phích cắm dưới mọi hình thức. Không được sử dụng phích tiếp hợp nối tiếp đất (dây mát). Phích cắm nguyên bản và ổ cắm đúng loại sẽ làm giảm nguy cơ bị điện giật.
- ▶ **Tránh không để thân thể tiếp xúc với đất hay các vật có bề mặt tiếp đất như đường ống, lò sưởi, hàng rào và tủ lạnh.** Có nhiều nguy cơ bị điện giật hơn nếu cơ thể bạn bị tiếp hay nối đất.
- ▶ **Không được để dụng cụ điện cầm tay ngoài mưa hay ở tình trạng ẩm ướt.** Nước vào máy sẽ làm tăng nguy cơ bị điện giật.
- ▶ **Không được lạm dụng dây dẫn điện.** Không bao giờ được nắm dây dẫn để xách, kéo hay rút phích cắm dụng cụ điện cầm tay. Không để dây gần nơi có nhiệt độ cao, dầu nhớt, vật nhọn bén hay bộ phận chuyển động. Làm hỏng hay cuộn rối dây dẫn làm tăng nguy cơ bị điện giật.
- ▶ **Khi sử dụng dụng cụ điện cầm tay ngoài trời, dùng dây nối thích hợp cho việc sử dụng**

ngoài trời. Sử dụng dây nối thích hợp cho việc sử dụng ngoài trời làm giảm nguy cơ bị điện giật.

- ▶ **Nếu việc sử dụng dụng cụ điện cầm tay ở nơi ẩm ướt là không thể tránh được, dùng thiết bị ngắt mạch tự động (RCD) bảo vệ nguồn.** Sử dụng thiết bị ngắt mạch tự động RCD làm giảm nguy cơ bị điện giật.

An toàn cá nhân

- ▶ **Hãy tỉnh táo, biết rõ mình đang làm gì và hãy sử dụng ý thức khi vận hành dụng cụ điện cầm tay.** Không sử dụng dụng cụ điện cầm tay khi đang mệt mỏi hay đang bị tác động do chất gây nghiện, rượu hay dược phẩm gây ra. Một thoáng mất tập trung khi đang vận hành dụng cụ điện cầm tay có thể gây thương tích nghiêm trọng cho bản thân.
- ▶ **Sử dụng trang bị bảo hộ cá nhân.** Luôn luôn đeo kính bảo vệ mắt. Trang bị bảo hộ như khẩu trang, giày chống trượt, nón bảo hộ, hay dụng cụ bảo vệ tai khi được sử dụng đúng nơi đúng chỗ sẽ làm giảm nguy cơ thương tật cho bản thân.
- ▶ **Phòng tránh máy khởi động bất ngờ.** Bảo đảm công tắc máy ở vị trí tắt trước khi cắm vào nguồn điện và/hoặc lắp pin vào, khi nhấn máy lên hay khi mang xách máy. Ngáng ngón tay vào công tắc máy để xách hay kích hoạt dụng cụ điện cầm tay khi công tắc ở vị trí mở để dẫn đến tai nạn.
- ▶ **Lấy mọi chìa hay khóa điều chỉnh ra trước khi mở điện dụng cụ điện cầm tay.** Khóa hay chìa còn gắn dính vào bộ phận quay của dụng cụ điện cầm tay có thể gây thương tích cho bản thân.
- ▶ **Không rướn người.** Luôn luôn giữ tư thế đứng thích hợp và thăng bằng. Điều này tạo cho việc điều khiển dụng cụ điện cầm tay tốt hơn trong mọi tình huống bất ngờ.
- ▶ **Trang phục thích hợp.** Không mặc quần áo rộng thùng thình hay mang trang sức. Giữ tóc, quần áo và găng tay xa khỏi các bộ phận chuyển động.
- ▶ **Nếu có các thiết bị đi kèm để nối máy hút bụi và các phụ kiện khác, bảo đảm các thiết bị này được nối và sử dụng tốt.** Việc sử dụng các thiết bị gom hút bụi có thể làm giảm các độc hại liên quan đến bụi gây ra.

Sử dụng và bảo dưỡng dụng cụ điện cầm tay

- ▶ **Không được ép máy.** Sử dụng dụng cụ điện cầm tay đúng loại theo đúng ứng dụng của bạn. Dụng cụ điện cầm tay đúng chức năng sẽ làm việc tốt và an toàn hơn theo đúng tiến độ mà máy được thiết kế.

42 | Tiếng Việt

- ▶ **Không sử dụng dụng cụ điện cầm tay nếu như công tắc không tắt và mở được.** Bất kỳ dụng cụ điện cầm tay nào mà không thể điều khiển được bằng công tắc là nguy hiểm và phải được sửa chữa.
- ▶ **Rút phích cắm ra khỏi nguồn điện và/hay pin ra khỏi dụng cụ điện cầm tay trước khi tiến hành bất kỳ điều chỉnh nào, thay phụ kiện, hay cắt dụng cụ điện cầm tay.** Các biện pháp ngăn ngừa như vậy làm giảm nguy cơ dụng cụ điện cầm tay khởi động bất ngờ.
- ▶ **Cắt giữ dụng cụ điện cầm tay không dùng tới nơi trẻ em không lấy được và không cho người chưa từng biết dụng cụ điện cầm tay hay các hướng dẫn này sử dụng dụng cụ điện cầm tay.** Dụng cụ điện cầm tay nguy hiểm khi ở trong tay người chưa được chỉ cách sử dụng.
- ▶ **Bảo quản dụng cụ điện cầm tay.** Kiểm tra xem các bộ phận chuyển động có bị sai lệch hay kẹt, các bộ phận bị rạn nứt và các tình trạng khác có thể ảnh hưởng đến sự vận hành của máy. Nếu bị hư hỏng, phải sửa chữa máy trước khi sử dụng. Nhiều tai nạn xảy ra do bảo quản dụng cụ điện cầm tay tồi.
- ▶ **Giữ các dụng cụ cắt bén và sạch.** Bảo quản đúng cách các dụng cụ cắt có cạnh cắt bén làm giảm khả năng bị kẹt và dễ điều khiển hơn.
- ▶ **Sử dụng dụng cụ điện cầm tay, phụ kiện, đầu cài v. v., đúng theo các chỉ dẫn này, hãy lưu ý đến điều kiện làm việc và công việc phải thực hiện.** Sử dụng dụng cụ điện cầm tay khác với mục đích thiết kế có thể tạo nên tình huống nguy hiểm.

Bảo dưỡng

- ▶ **Đưa dụng cụ điện cầm tay của bạn đến thợ chuyên môn để bảo dưỡng, chỉ sử dụng phụ tùng đúng chủng loại để thay.** Điều này sẽ đảm bảo sự an toàn của máy được giữ nguyên.

Các Cảnh Báo An Toàn Cho Khoan Búa

- ▶ **Hãy mang dụng cụ bảo vệ tai.** Để tai trần tiếp xúc với tiếng ồn có thể làm mất thính giác.
- ▶ **Hãy sử dụng tay nắm phụ, nếu như được giao kèm với dụng cụ.** Sự mất điều khiển có thể gây thương tích cho bản thân.
- ▶ **Nắm giữ dụng cụ điện nơi phần nắm cách điện khi thực hiện việc gia công nơi dụng cụ cắt có thể chạm vào dây điện không nhìn thấy được hay chính dây của máy.** Dụng cụ cắt chạm phải dây có điện có thể làm cho các bộ phận kim loại không được bao bọc có điện và giật người vận hành máy.
- ▶ **Dùng thiết bị dò tìm thích hợp để xác định nếu có các công trình công cộng lắp đặt ngầm**

trong khu vực làm việc hay liên hệ với Cty công trình Công cộng địa phương để nhờ hỗ trợ. Đụng chạm đường dẫn điện có thể gây ra hỏa hoạn và điện giật. Làm hư hại đường dẫn khí ga có thể gây nổ. Làm thủng đường dẫn nước gây hư hỏng tài sản hay có khả năng gây ra điện giật.

- ▶ **Khi sử dụng máy, luôn luôn giữ chặt máy bằng cả hai tay và tạo tư thế đứng vững chắc.** Dụng cụ điện cầm tay vận hành an toàn hơn khi dùng cả hai tay.
- ▶ **Kẹp chặt vật gia công.** Vật gia công được kẹp bằng một thiết bị kẹp hay bằng ê-tô thì vững chắc hơn giữ bằng tay.
- ▶ **Luôn luôn đợi cho máy hoàn toàn ngừng hẳn trước khi đặt xuống.** Dụng cụ lắp vào máy có thể bị kẹp chặt dẫn đến việc dụng cụ điện cầm tay bị mất điều khiển.

Mô Tả Sản Phẩm và Đặc Tính Kỹ Thuật



Đọc kỹ mọi cảnh báo an toàn và mọi hướng dẫn. Không tuân thủ mọi cảnh báo và hướng dẫn được liệt kê dưới đây có thể bị điện giật, gây cháy và/hay bị thương tật nghiêm trọng.

Dành sử dụng cho

Máy được thiết kế để khoan có động tác búa vào bê-tông, gạch và đá, và cũng như dùng để đục trong công việc sơ nhẹ. Máy cũng thích hợp để khoan gỗ, kim loại, gốm và nhựa mù mà không có động tác đập. Máy có bộ phận điều khiển điện tử và quay được chiều phải/trái cũng thích hợp cho việc bắt vít.

Biểu trưng của sản phẩm

Sự đánh số các biểu trưng của sản phẩm là để tham khảo hình minh họa của máy trên trang hình ảnh.

- 1 Phần lắp dụng cụ SDS-plus
- 2 Chụp ngăn bụi
- 3 Vòng Khóa
- 4 Vòng khóa của phần lắp dụng cụ
- 5 Gạc chọn phương thức hoạt động
- 6 Bộ phận giảm chấn
- 7 Công tắc Tắt/Mở
- 8 Gạc vận chuyển đổi chiều quay
- 9 Nút điều chỉnh cho cỡ định độ sâu
- 10 Tay nắm phụ (có bề mặt nắm cách điện)
- 11 Cỡ định độ sâu
- 12 Tay nắm (bề mặt nắm cách điện)
- 13 Mâm cặp không cần chia thay nhanh*
- 14 Vòng xoay ngoài của mâm cặp không cần chia thay nhanh*

- 15 Vành cố định của mâm cặp không cần chia thay nhanh*
- 16 Ống hút của phụ kiện gá lắp hút bụi*
- 17 Vít bắt cố định dành cho phụ kiện gá lắp hút bụi*
- 18 Cờ định độ sâu của phụ kiện gá lắp hút bụi*
- 19 Ống lồng của phụ kiện gá lắp hút bụi*
- 20 Vít tai hồng của phụ kiện gá lắp hút bụi*
- 21 Ống dẫn hướng của phụ kiện gá lắp hút bụi*

*Phụ tùng được trình bày hay mô tả không phải là một phần của tiêu chuẩn hàng hóa được giao kèm theo sản phẩm. Bạn có thể tham khảo tổng thể các loại phụ tùng, phụ kiện trong chương trình phụ tùng của chúng tôi.

Thông số kỹ thuật

Khoan Búa	GBH 4-32 DFR	
Mã số máy		3 611 C32 0.. 3 611 C32 1..
Công suất vào danh định	W	900
Tốc độ danh định	v/p	0–760
Tần suất đập	bpm	0–3600
Năng lượng va đập của từng hành trình dựa theo Qui Chuẩn-EPTA 05/2009	J	5,0
Vị trí mũi đục		12
Phần lắp dụng cụ		SDS-plus
Bôi trơn		Điểm chủ yếu bôi trơn thường xuyên
Đường kính khoan tối đa		
- Bê tông (với mũi khoan xoắn)	mm	32
- Công trình nề (với đầu khoan lõi)	mm	90
- Thép	mm	13
- Gỗ	mm	32
Trọng lượng theo Qui trình EPTA-Procedure 01:2014 (chuẩn EPTA 01:2014)	kg	4,7
Cấp độ bảo vệ		□/II
Các giá trị đã cho có hiệu lực cho điện thế danh định [U] 230 V. Đối với điện thế thấp hơn và các loại máy dành riêng cho một số quốc gia, các giá trị này có thể thay đổi.		

Sự lắp vào

- ▶ Trước khi tiến hành bất cứ việc gì trên máy, kéo phích cắm điện nguồn ra.

Tay nắm phụ

- ▶ Chỉ vận hành máy của bạn khi đã gắn tay nắm phụ 10.

Tay nắm phụ 10 có thể chỉnh đặt ở bất cứ vị trí nào mà tạo ra được sự an toàn và tư thế làm việc thoải mái nhất.

- Vận phần thân dưới của tay nắm phụ 10 ngược chiều kim đồng hồ và xoay tay nắm phụ 10 vào vị trí muốn đặt. Sau đó vận chặt phần thân dưới của tay nắm phụ 10 lại theo chiều kim đồng hồ.

Điều Chỉnh Cờ Sâu Khoan (xem hình A)

Cờ sâu muốn khoan X có thể chỉnh đặt bằng cờ định độ sâu 11.

- Nhấn nút chỉnh đặt cờ định độ sâu 9 và lắp cờ định độ sâu vào tay nắm phụ 10.
- Lắp dụng cụ khoan SDS-plus vào hết trong phần lắp dụng cụ SDS-plus 1. Nếu không, sự chuyển dịch của dụng cụ khoan SDS-plus có thể dẫn đến sự điều chỉnh sai độ sâu khoan.
- Kéo cờ định độ sâu ra cho đến khi khoảng cách giữa đầu mũi khoan và đầu cờ định độ sâu thích ứng với chiều sâu lỗ khoan muốn có X. Bề mặt khóa vận của đầu định độ sâu 11 phải hướng xuống dưới.

Chọn Lựa Phần Lắp Dụng Cụ

Để khoan có động tác búa, cần phải có dụng cụ khoan SDS-plus, loại lắp vào được phần lắp dụng cụ SDS-plus 1.

Để khoan không có động tác đập dành cho gỗ, kim loại, gốm và nhựa mũ cũng như để bắt vít và cắt ren, hãy sử dụng loại dụng cụ khoan không phải loại SDS-plus (vd., các mũi khoan có chuỗi hình trụ). Cần sử dụng mâm cặp không dùng chia cho các dụng cụ khoan nói trên.

Ghi Chú: Không sử dụng dụng cụ không phải loại SDS-plus để khoan hay đục có động tác búa! Khoan hay đục có động tác búa làm hỏng dụng cụ không phải loại SDS-plus và mâm cặp của chúng.

Phần lắp dụng cụ SDS-plus 1 có thể chuyển đổi một cách dễ dàng với mâm cặp không dùng chia thay nhanh 13.

Thay Phần Lắp Dụng Cụ

Tháo Phần Lắp Dụng Cụ SDS-plus hay Mâm Cặp Thay Thế Không Dùng Chia (xem hình B)

- Kéo vòng khóa của phần lắp dụng cụ 4 thật mạnh theo chiều mũi tên, giữ nguyên ở vị trí này và kéo phần lắp dụng cụ 1 hay mâm cặp thay thế không dùng chia 13 về phía trước.

Sau khi tháo ra, bảo vệ phần lắp dụng cụ 1 hay mâm cặp thay thế không dùng chia 13 không bị dính bẩn. Nếu thấy cần, bôi một ít mỡ bôi trơn vào các đường rãnh.

44 | Tiếng Việt

Lắp Phần Lắp Dụng Cụ SDS-Plus hay Mâm Cặp Thay Thế Không Dùng Chìa (xem hình B)

- ▶ **Chỉ sử dụng trang thiết bị đặc trưng nguyên bản và lưu ý đến số lượng rãnh khía nhận dạng. Chỉ có các mâm cặp thay nhanh có hai rãnh nhận dạng là được chấp nhận.** Khi sử dụng mâm cặp thay nhanh không thích hợp, dụng cụ đang sử dụng có thể rơi ra trong lúc đang hoạt động.
- Giữ chặt toàn bộ phần lắp dụng cụ **1** hay mâm cặp thay thế không dùng chìa **13** bằng tay. Đẩy phần lắp dụng cụ **1** hay mâm cặp thay thế không dùng chìa **13** bằng động tác xoay vào lên trên phần gắn mâm cặp khoan cho đến khi nghe rõ tiếng ầm vào khớp.
- Phần lắp dụng cụ **1** mâm cặp thay thế không dùng chìa **13** được tự động khóa lại. Kiểm tra hiệu quả khóa bằng cách kéo phần lắp dụng cụ ra.

Thay Dụng Cụ

Với phần lắp dụng cụ SDS-plus, việc thay dụng cụ có thể thực hiện được dễ dàng và thuận tiện hơn mà không cần đến sự hỗ trợ nào khác.

Theo như yêu cầu của hệ thống, dụng cụ khoan SDS-plus có thể chuyển động tự do. Điều này tạo ra sự đảo tảo tròn khi chạy không tải ở một mức nào đó, việc này không làm ảnh hưởng đến độ chính xác của lỗ khoan, vì mũi khoan định tâm của chính nó trong khi khoan.

Chụp ngăn bụi **2** hầu như ngăn cản toàn bộ bụi khoan vào trong phần lắp dụng cụ trong lúc vận hành. Khi lắp dụng cụ vào, bảo đảm rằng chụp ngăn bụi **2** không bị làm hư hỏng.

- ▶ **Chụp ngăn bụi bị hư hỏng phải được thay ra ngay lập tức. Chúng tôi khuyến nghị việc thay thế này do một đại lý phục vụ hậu mãi thực hiện.**

Lắp Dụng Cụ Khoan SDS-plus (xem hình C)

- Làm sạch và thoa một lớp mỏng dầu bôi trơn lên chuỗi của dụng cụ.
- Lắp dụng cụ vào bằng cách xoay vận dụng cụ vào ổ lắp dụng cụ cho đến khi tự ầm vào khớp.
- Kiểm tra xem đã cài chắc chưa bằng cách kéo thử dụng cụ ra.

Thay Dụng Cụ Khoan SDS-plus Ra (xem hình D)

- Đẩy vòng khóa xuống **3** và lấy dụng cụ ra.

Lắp Dụng Cụ Khoan Không Phải Loại SDS-plus (xem hình E)

Ghi Chú: Không sử dụng dụng cụ không phải loại SDS-plus để khoan hay đục có động tác búa! Khoan hay đục có động tác búa làm hỏng dụng cụ không phải loại SDS-plus và mâm cặp của chúng.

- Lắp mâm cặp loại không cần chìa thay nhanh **13**.

- Giữ chặt vành cố định của mâm cặp thay thế không dùng chìa **13**. Mở mâm cặp thay thế không dùng chìa ra bằng cách vặn vòng ngoài theo chiều của biểu tượng "**RELEASE, AUF**".
- Lắp dụng cụ khoan vào trong mâm cặp thay thế không dùng chìa **13**. Giữ chặt vành cố định của mâm cặp thay thế không dùng chìa **13**. **Và vặn** vòng ngoài theo chiều của biểu tượng "**GRIP, ZU**".
- Kiểm tra xem đã vào chắc chưa bằng cách kéo thử dụng cụ ra.

Ghi Chú: Nếu phần lắp dụng cụ vẫn mở khi đã vặn hết, vậy có thể nghe thấy tiếng ầm vào khớp trong khi đóng phần lắp dụng cụ lại và phần lắp dụng cụ sẽ không cặp lại.

Trong trường hợp này, vặn vòng xoay ngoài **14** theo chiều ngược chiều mũi tên thêm một lần nữa. Sau cùng, phần lắp dụng cụ có thể đóng lại (cấp chặt) như trước.

- Vặn gạt chọn phương thức hoạt động **5** về "vị trí" Khoan.

Thay Dụng Cụ Khoan Không Phải Loại SDS-plus Ra (xem hình E)

- Giữ chặt vành cố định của mâm cặp thay thế không dùng chìa **13**. Mở mâm cặp thay thế không dùng chìa ra bằng cách vặn vòng ngoài theo chiều của biểu tượng "**RELEASE, AUF**".
- Lấy dụng cụ khoan ra.

Hút Bụi Với Phụ Kiện Gá Lắp Hút Bụi (phụ tùng)

- ▶ Mặt bụi từ các vật liệu được sơn phủ ngoài có chứa chì trên một số loại gỗ, khoáng vật và kim loại có thể gây nguy hại đến sức khoẻ con người. Đụng chạm hay hít thở các bụi này có thể làm người sử dụng hay đứng gần bị dị ứng và/hoặc gây nhiễm trùng hệ hô hấp.

Một số mặt bụi cụ thể, ví dụ như bụi gỗ sợi hay dầu, được xem là chất gây ung thư, đặc biệt là có liên quan đến các chất phụ gia dùng xử lý gỗ (chất cromat, chất bảo quản gỗ). Có thể chỉ nên để thợ chuyên môn gia công các loại vật liệu có chứa amiăng.

- Cách xa ở mức có thể được, sử dụng hệ thống hút thích hợp cho loại vật liệu.
- Tạo không khí thông thoáng nơi làm việc.
- Khuyến nghị nên mang mặt nạ phòng độc có bộ lọc cấp P2.

Tuân thủ các qui định của quốc gia bạn liên quan đến loại vật liệu gia công.

- ▶ **Tránh không để rác tích tụ tại nơi làm việc.** Rác có thể dễ dàng bắt lửa.

Lắp Phụ Kiện Gá lắp hút bụi (xem hình F)

Để hút bụi, cần phải có phụ kiện gá lắp hút bụi (phụ kiện). Khi khoan, phụ kiện gá lắp hút bụi thu lại vì thế đầu của phân gá lắp luôn luôn kề sát với bề mặt lỗ khoan.

- Nhấn nút để chỉnh đặt cỡ định độ sâu **9** và lấy cỡ định độ sâu ra **11**. Nhấn nút **9** lần nữa và lắp phụ kiện gá lắp hút bụi vào trong tay nắm phụ **10** từ phía trước vào.
- Nối vòi hút mềm (đường kính 19 mm, phụ kiện) vào ống hút **16** của phụ kiện gá lắp hút bụi.

Máy hút bụi phải thích hợp dành cho loại vật liệu đang gia công.

Khi hút bụi khô loại đặc biệt gây nguy hại đến sức khỏe hoặc gây ra ung thư, hãy sử dụng máy hút bụi loại chuyên dụng.

Điều Chỉnh Độ Sâu Khoan Trên Phụ Kiện Gá Lắp Hút Bụi (xem hình G)

Ta cũng có thể điều chỉnh được độ sâu khoan **X** theo yêu cầu khi đã lắp phụ kiện gá lắp hút bụi vào.

- Lắp dụng cụ khoan SDS-plus vào hết trong phần lắp dụng cụ SDS-plus **1**. Nếu không, sự chuyển dịch của dụng cụ khoan SDS-plus có thể dẫn đến sự điều chỉnh sai độ sâu khoan.
- Nới lỏng vít tai hồng **20** trên phụ kiện gá lắp hút bụi.
- Không mở máy dụng cụ điện lên, ấn mạnh xuống ngay vị trí khoan. Dụng cụ khoan SDS-plus phải áp mặt lên trên bề mặt.
- Bố trí ống dẫn hướng **21** của phụ kiện gá lắp hút bụi vào trong khung đỡ cố định vị trí ở vào tư thế sao cho đầu của phụ kiện gá lắp hút bụi áp mặt lên trên bề mặt chỗ khoan. Không được đẩy ống dẫn hướng **21** vào sâu trong ống lồng **19** của phụ kiện gá lắp hút bụi nhiều hơn là cần thiết, hạn chế tối đa thước **19** nằm trên ống lồng bị khuất để vẫn có thể nhìn thấy được.
- Siết chặt vít tai hồng lại **20** như cũ. Nới lỏng vít bắt cố định **17** trên cỡ định độ sâu nằm trên phụ kiện gá lắp hút bụi.
- Di chuyển cỡ định độ sâu **18** trên ống lồng **19** theo cách sao cho khoảng hở **X** hiển thị bằng con số tương ứng với độ sâu khoan như yêu cầu.
- Siết chặt vít bắt cố định lại **17** tại vị trí này.

Vận Hành**Bắt Đầu Vận Hành**

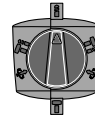
- ▶ **Tuân thủ theo đúng điện thế! Điện thế nguồn phải đúng với điện thế đã ghi rõ trên nhãn máy.**

Chỉnh Đặt Phương Thức Hoạt Động

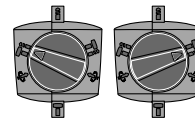
Sự hoạt động theo phương thức của dụng cụ điện được chọn bằng gạt chọn phương thức hoạt động **5**.

Ghi Chú: Thay đổi phương thức hoạt động chỉ khi đã tắt máy! Nếu không, có thể làm cho máy bị hư hỏng.

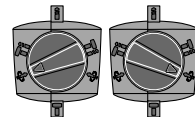
- Vận gạt chọn phương thức hoạt động **5** về vị trí theo yêu cầu.



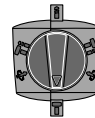
Vị trí để **khoan thường** không có động tác đập để khoan gỗ, gỗ, kim loại và nhựa mũ cũng như để bắt vít



Vị trí để **khoan với động tác búa** vào bê tông hay đá
Khi dụng cụ khoan không quay ngay sau khi mở máy, hãy để cho máy chạy chậm cho đến khi dụng cụ khoan quay.



Vị trí **Khóa Thay Đổi Vị Trí** để điều chỉnh vị trí đục



Vị trí để **đục**

Đảo Chiều Quay

- ▶ **Khởi động gạt chỉ chiều quay 8 chỉ khi máy đã hoàn toàn dừng hẳn.**

Gạt chỉ chiều quay **8** được sử dụng để đảo ngược chiều quay của máy.

Chiều quay phải: Vận gạt chọn chiều quay **8** qua hết về vị trí **←**.

Chiều quay trái: Vận gạt chọn chiều quay **8** qua hết về vị trí **→**.

Luôn luôn chỉnh đặt chiều quay để khoan búa, khoan thường và đục về chiều quay phải.

Bật Mở và Tắt

- Để khởi **động máy**, nhấn công tắc **Tắt/Mở 7** và nhấn giữ xuống.
- Để tắt máy, **nhả** công tắc **Tắt/Mở 7** ra.

Đối với khi ở nhiệt độ thấp, dụng cụ điện cầm tay đạt hết công suất búa/đập chỉ sau một khoảng thời gian nhất định.

Chỉnh Đặt Tốc độ/Tần suất Đập

Có thể điều chỉnh thay đổi tốc độ/tần suất đập của dụng cụ điện đang hoạt động, tùy theo mức độ công tắc **Tắt/Mở 7** được bóp vào.

46 | Tiếng Việt

Lực áp nhẹ lên công tắc Tắt/Mở 7 tạo ra tốc độ thấp/tần suất đập thưa. Lực áp mạnh hơn lên công tắc làm tăng tốc độ và tần suất đập.

Khớp Ly Hợp Chống Quá Tải

- ▶ Nếu dụng cụ lắp trong máy bị kẹt hay kẹt, lực truyền động đến trục khoan bị ngăn lại. Do vậy tạo ra lực tác động, luôn luôn giữ dụng cụ điện cầm tay bằng cả hai tay thật chắc và tạo tư thế bản thân cho vững chãi.
- ▶ Nếu dụng cụ điện cầm tay bị kẹt, tắt máy và làm rời dụng cụ lắp trong máy ra. Khi bật máy lên mà dụng cụ khoan còn đang bị kẹt, lực vận mạnh có thể xảy ra.

Thay Đổi Vị Trí Đục (Khóa nhiều vị trí)

Mũi đục có thể được khóa 13 ở nhiều vị trí khác nhau. Nhờ như vậy, ta có thể tạo tư thế thao tác tốt nhất cho từng ứng dụng.

- Lắp mũi đục vào trong ổ lắp dụng cụ.
- Vận gạc chọn phương thức hoạt động 5 về "vị trí Khóa Thay Đổi Vị Trí" (xem "Chỉnh Đặt Phương Thức Hoạt Động", trang 45).
- Xoay phần lắp dụng cụ về vị trí đục theo yêu cầu.
- Vận gạc chọn phương thức hoạt động 5 về vị trí đục. Phần lắp dụng cụ được khóa lại ngay lúc này.
- Để đục, chỉnh đặt chiều quay về chiều quay phải.

Hướng Dẫn Sử Dụng

- ▶ Trước khi tiến hành bất cứ việc gì trên máy, kéo phích cắm điện nguồn ra.
- ▶ Tra dụng cụ điện cầm tay vào vít/đai ốc chỉ khi đã tắt công tắc. Dụng cụ gắn trong máy đang xoay có thể trượt ra ngoài.
- ▶ Nắm giữ dụng cụ điện nơi phần nắm cách điện khi thực hiện việc gia công nơi dụng cụ cắt có thể chạm vào dây điện không nhìn thấy được hay chính dây của máy. Dụng cụ cắt chạm phải dây có điện có thể làm cho các bộ phận kim loại không được bao bọc có điện và giết người vận hành máy.

Bộ Phận Giảm Chấn



Bộ phận giảm chấn nội kết làm giảm sự rung chấn phát sinh.

Bảo Dưỡng và Bảo Quản

Bảo Dưỡng Và Làm Sạch

- ▶ Trước khi tiến hành bất cứ việc gì trên máy, kéo phích cắm điện nguồn ra.

▶ Để được an toàn và máy hoạt động đúng chức năng, luôn luôn giữ máy và các khe thông gió được sạch.

▶ Chụp ngăn bụi bị hư hỏng phải được thay ra ngay lập tức. Chúng tôi khuyến nghị việc thay thế này do một đại lý phục vụ hậu mãi thực hiện.

Nếu như cần phải thay dây dẫn điện thì công việc này phải do hãng Bosch, hay một đại lý được Bosch ủy nhiệm thực hiện để tránh gặp sự nguy hiểm do mất an toàn.

Dịch Vụ Sau Khi Bán và Dịch Vụ Ứng Dụng

Bộ phận phục vụ hàng sau khi bán của chúng tôi sẽ trả lời các câu hỏi liên quan đến việc bảo trì và sửa chữa các sản phẩm cũng như các phụ tùng thay thế của bạn. Hình ảnh chi tiết và thông tin phụ tùng thay thế có thể tìm hiểu theo địa chỉ dưới đây:

www.bosch-pt.com

Bộ phận dịch vụ ứng dụng Bosch sẽ hân hạnh trả lời các câu hỏi liên quan đến các sản phẩm của chúng tôi và linh kiện của chúng.

Trong tất cả các phản hồi và đơn đặt phụ tùng, xin vui lòng luôn luôn nhập số hàng hóa 10 chữ số theo nhãn của hàng hóa.

Việt Nam

CN Cty TNHH Bosch Vietnam tại TP. Hồ Chí Minh
Tầng 10, Tòa nhà 194 Golden
473 Điện Biên Phủ
Phường 25, Quận Bình Thạnh
Tp. Hồ Chí Minh
Tel.: (08) 6258 3690
Fax: (08) 6258 3692
Hotline: (08) 6250 8555
www.bosch-pt.com.vn

Campuchia

Công ty TNHH Robert Bosch (Campuchia)
Đơn nguyên 8BC, GT Tower, Tầng 08,
Đường 169, Tiệp Khắc Blvd, Sangkat Veal Vong,
Khan 7 Makara, Phnom Penh
VAT TIN : 100 169 511
Tel.: +855 23 900 685
Tel.: +855 23 900 660
www.bosch.com.kh

Thải bỏ

Máy, linh kiện và bao bì phải được phân loại để tái chế theo hướng thân thiện với môi trường.



Không được thải bỏ dụng cụ điện vào chung với rác sinh hoạt!

Được quyền thay đổi nội dung mà không phải thông báo trước.