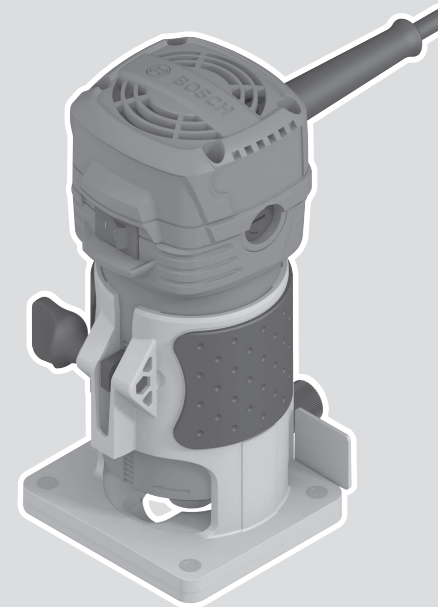




GKF 550 Professional



Robert Bosch Power Tools GmbH
70538 Stuttgart
GERMANY

www.bosch-pt.com

1 609 92A 5JG (2020.01) 0 / 59

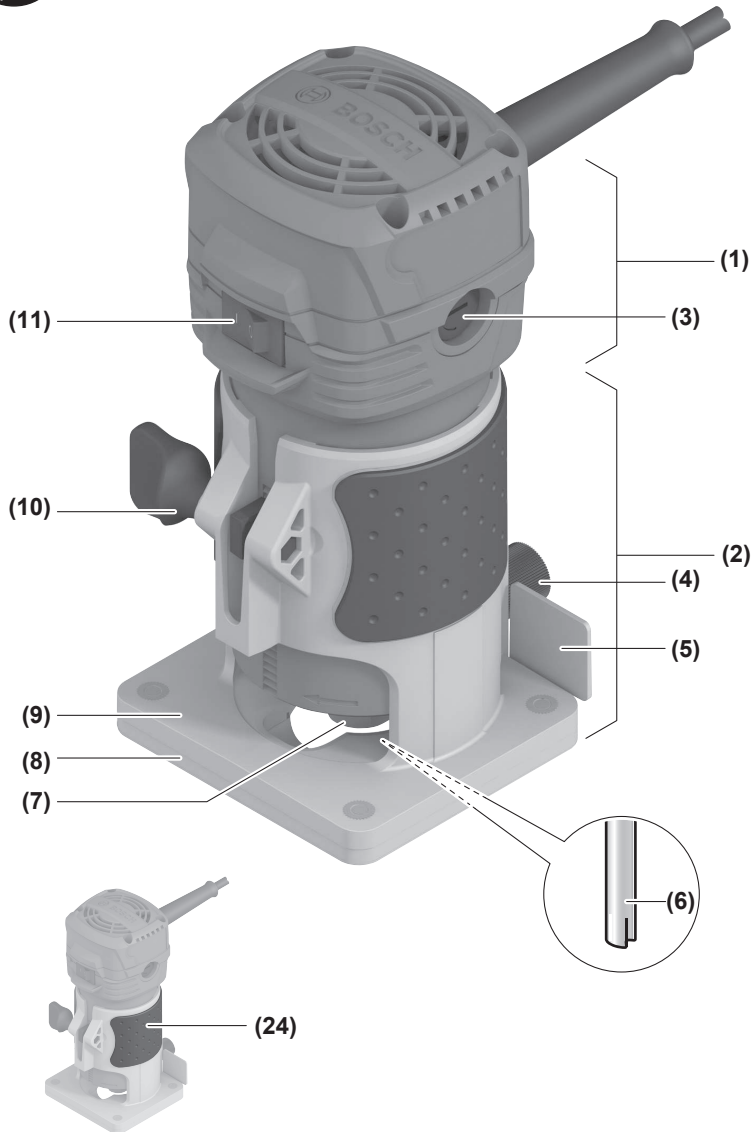


1 609 92A 5JG

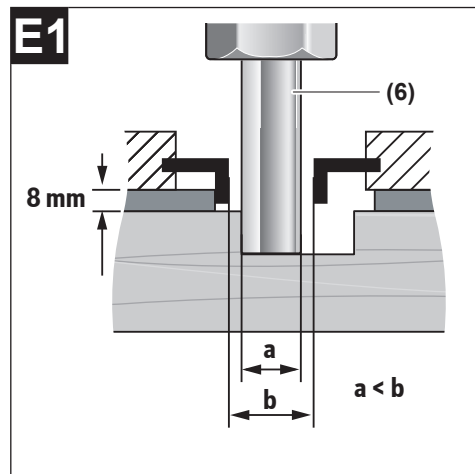
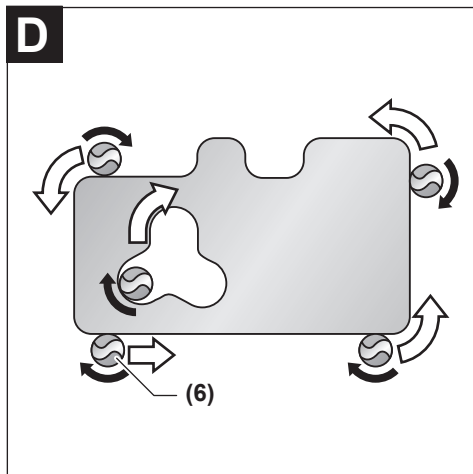
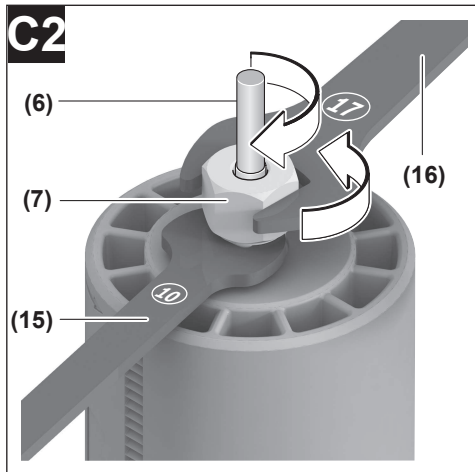
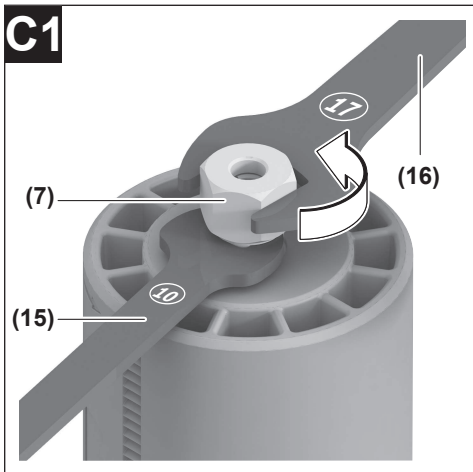
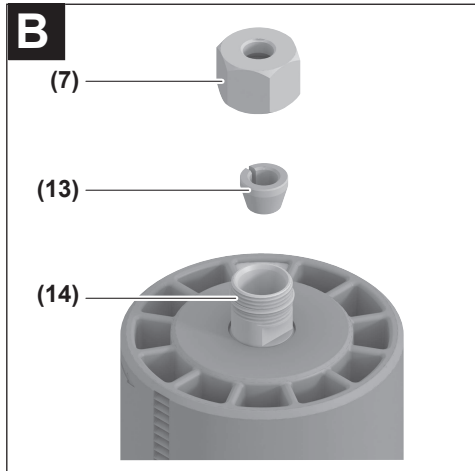
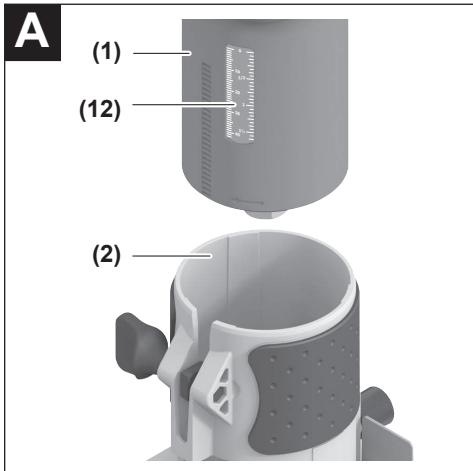
- en Original instructions
- fr Notice originale
- pt Manual original
- zh 正本使用说明书
- zh 原始使用說明書
- th หนังสือคู่มือการใช้งานฉบับต้นแบบ
- id Petunjuk-Petunjuk untuk Penggunaan Orisinal
- vi Bản gốc hướng dẫn sử dụng
- ar دليل التشغيل الأصلي
- fa دفترچه راهنمای اصلی

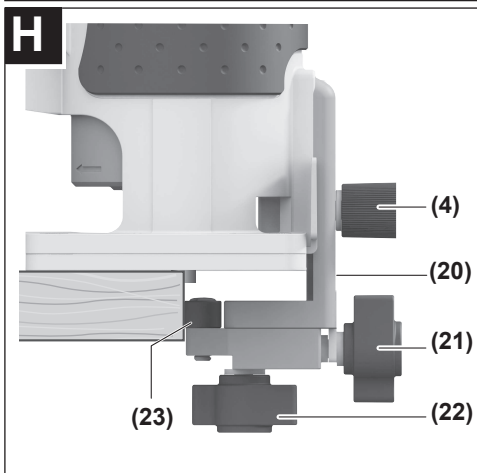
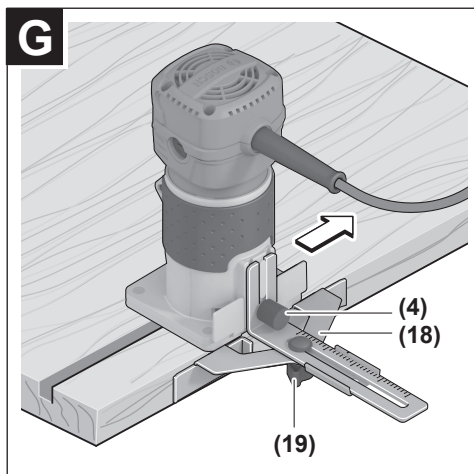
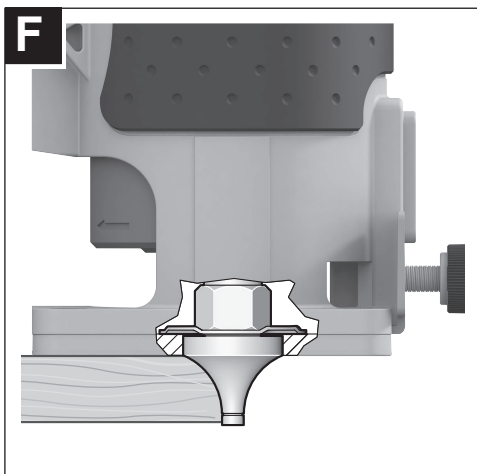
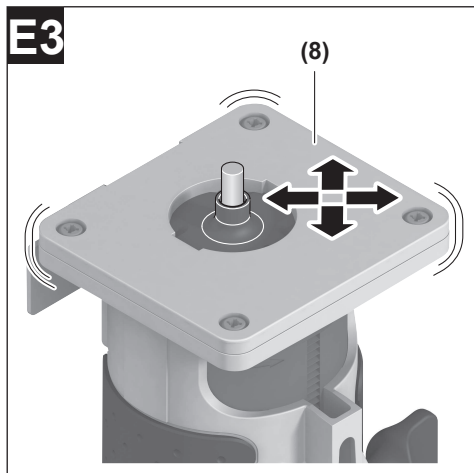
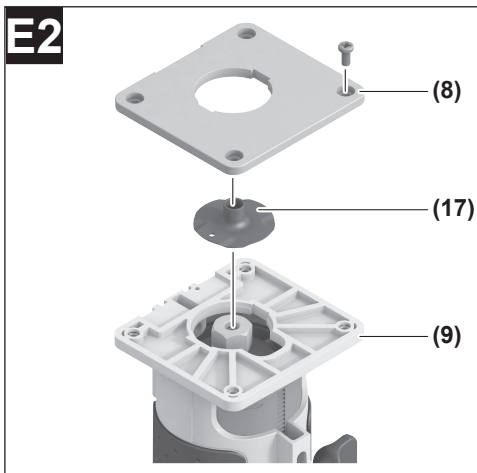


English	Page	6
Français	Page	12
Português	Página	17
中文	頁	22
繁體中文	頁	26
ไทย	หน้า	31
Bahasa Indonesia	Halaman	36
Tiếng Việt	Trang	41
عربي	الصفحة	47
فارسی	صفحه	53



GKF 550





English

Safety instructions

General Power Tool Safety Warnings

⚠ WARNING Read all safety warnings, instructions, illustrations and specifications provided with this power tool. Failure to follow all instructions listed below may result in electric shock, fire and/or serious injury.

Save all warnings and instructions for future reference.

The term "power tool" in the warnings refers to your mains-operated (corded) power tool or battery-operated (cordless) power tool.

Work area safety

- ▶ **Keep work area clean and well lit.** Cluttered or dark areas invite accidents.
- ▶ **Do not operate power tools in explosive atmospheres, such as in the presence of flammable liquids, gases or dust.** Power tools create sparks which may ignite the dust or fumes.
- ▶ **Keep children and bystanders away while operating a power tool.** Distractions can cause you to lose control.

Electrical safety

- ▶ **Power tool plugs must match the outlet. Never modify the plug in any way. Do not use any adapter plugs with earthed (grounded) power tools.** Unmodified plugs and matching outlets will reduce risk of electric shock.
- ▶ **Avoid body contact with earthed or grounded surfaces, such as pipes, radiators, ranges and refrigerators.** There is an increased risk of electric shock if your body is earthed or grounded.
- ▶ **Do not expose power tools to rain or wet conditions.** Water entering a power tool will increase the risk of electric shock.
- ▶ **Do not abuse the cord. Never use the cord for carrying, pulling or unplugging the power tool. Keep cord away from heat, oil, sharp edges or moving parts.** Damaged or entangled cords increase the risk of electric shock.
- ▶ **When operating a power tool outdoors, use an extension cord suitable for outdoor use.** Use of a cord suitable for outdoor use reduces the risk of electric shock.
- ▶ **If operating a power tool in a damp location is unavoidable, use a residual current device (RCD) protected supply.** Use of an RCD reduces the risk of electric shock.

Personal safety

- ▶ **Stay alert, watch what you are doing and use common sense when operating a power tool. Do not use a power tool while you are tired or under the influence of drugs, alcohol or medication.** A moment of inatten-

tion while operating power tools may result in serious personal injury.

- ▶ **Use personal protective equipment. Always wear eye protection.** Protective equipment such as a dust mask, non-skid safety shoes, hard hat or hearing protection used for appropriate conditions will reduce personal injuries.
- ▶ **Prevent unintentional starting. Ensure the switch is in the off-position before connecting to power source and/or battery pack, picking up or carrying the tool.** Carrying power tools with your finger on the switch or energising power tools that have the switch on invites accidents.
- ▶ **Remove any adjusting key or wrench before turning the power tool on.** A wrench or a key left attached to a rotating part of the power tool may result in personal injury.
- ▶ **Do not overreach. Keep proper footing and balance at all times.** This enables better control of the power tool in unexpected situations.
- ▶ **Dress properly. Do not wear loose clothing or jewellery. Keep your hair and clothing away from moving parts.** Loose clothes, jewellery or long hair can be caught in moving parts.
- ▶ **If devices are provided for the connection of dust extraction and collection facilities, ensure these are connected and properly used.** Use of dust collection can reduce dust-related hazards.
- ▶ **Do not let familiarity gained from frequent use of tools allow you to become complacent and ignore tool safety principles.** A careless action can cause severe injury within a fraction of a second.

Power tool use and care

- ▶ **Do not force the power tool. Use the correct power tool for your application.** The correct power tool will do the job better and safer at the rate for which it was designed.
- ▶ **Do not use the power tool if the switch does not turn it on and off.** Any power tool that cannot be controlled with the switch is dangerous and must be repaired.
- ▶ **Disconnect the plug from the power source and/or remove the battery pack, if detachable, from the power tool before making any adjustments, changing accessories, or storing power tools.** Such preventive safety measures reduce the risk of starting the power tool accidentally.
- ▶ **Store idle power tools out of the reach of children and do not allow persons unfamiliar with the power tool or these instructions to operate the power tool.** Power tools are dangerous in the hands of untrained users.
- ▶ **Maintain power tools and accessories. Check for misalignment or binding of moving parts, breakage of parts and any other condition that may affect the power tool's operation. If damaged, have the power tool repaired before use.** Many accidents are caused by poorly maintained power tools.

- ▶ **Keep cutting tools sharp and clean.** Properly maintained cutting tools with sharp cutting edges are less likely to bind and are easier to control.
- ▶ **Use the power tool, accessories and tool bits etc. in accordance with these instructions, taking into account the working conditions and the work to be performed.** Use of the power tool for operations different from those intended could result in a hazardous situation.
- ▶ **Keep handles and grasping surfaces dry, clean and free from oil and grease.** Slippery handles and grasping surfaces do not allow for safe handling and control of the tool in unexpected situations.

Service

- ▶ **Have your power tool serviced by a qualified repair person using only identical replacement parts.** This will ensure that the safety of the power tool is maintained.

Safety information for edge routers

- ▶ **Hold the power tool by insulated gripping surfaces only, because the cutter may contact its own cord.** Cutting a "live" wire may make exposed metal parts of the power tool "live" and could give the operator an electric shock.
- ▶ **Use clamps or another practical way to secure and support the workpiece to a stable platform.** Holding the work by your hand or against the body leaves it unstable and may lead to loss of control.
- ▶ **The permitted speed of the cutting bit must be at least equal to the maximum speed marked on the power tool.** If cutting bits run faster than their rated speed, they may break and fly off.
- ▶ **Routers and other accessories must be able to fit exactly in the tool holder (collet) of your power tool.** Application tools that do not fit exactly in the tool holder of the power tool will turn unevenly, vibrate heavily and may cause a loss of control.
- ▶ **Only bring the power tool into contact with the workpiece when switched on.** Otherwise there is danger of kickback if the cutting tool jams in the workpiece.
- ▶ **Never rout over metal objects, nails or screws.** The router could become damaged and cause increased vibration.
- ▶ **Use suitable detectors to determine if utility lines are hidden in the work area or call the local utility company for assistance.** Contact with electric lines can lead to fire and electric shock. Damaging a gas line can lead to explosion. Penetrating a water line causes property damage or may cause an electric shock.
- ▶ **Do not use blunt or damaged routers.** Blunt or damaged routers cause increased friction, create imbalances and may become jammed.
- ▶ **Always wait until the power tool has come to a complete stop before placing it down.** The application tool can jam and cause you to lose control of the power tool.

Products sold in GB only:

Your product is fitted with an BS 1363/A approved electric plug with internal fuse (ASTA approved to BS 1362).

If the plug is not suitable for your socket outlets, it should be cut off and an appropriate plug fitted in its place by an authorised customer service agent. The replacement plug should have the same fuse rating as the original plug.

The severed plug must be disposed of to avoid a possible shock hazard and should never be inserted into a mains socket elsewhere.

Product Description and Specifications



Read all the safety and general instructions.

Failure to observe the safety and general instructions may result in electric shock, fire and/or serious injury.

Please observe the illustrations at the beginning of this operating manual.

Intended use

The power tool is intended for copy routing as well as routing grooves, edges, profiles and elongated holes in wood, plastic and light building materials while resting firmly on the workpiece.

Product features

The numbering of the product features refers to the diagram of the power tool on the graphics page.

- (1) Drive unit
- (2) Routing base
- (3) Carbon brush bracket
- (4) Nut for routing guide
- (5) Chip deflector
- (6) Router bit^{A)}
- (7) Cap nut with collet
- (8) Guide plate
- (9) Base plate
- (10) Wing bolt for routing base
- (11) On/off switch
- (12) Scale for setting routing depth
- (13) Collet
- (14) Tool holder
- (15) Open-ended spanner (10 mm)^{A)}
- (16) Open-ended spanner (17 mm)^{A)}
- (17) Guide bushing^{A)}
- (18) Parallel guide^{A)}
- (19) Wing bolt for parallel guide^{A)}
- (20) Pilot^{A)}
- (21) Wing bolt for fixing the horizontal alignment^{A)}
- (22) Wing bolt for horizontal alignment of the pilot^{A)}

(23) Guide roller^{A)}

(24) Handle (insulated gripping surface)

A) **Accessories shown or described are not included with the product as standard. You can find the complete selection of accessories in our accessories range.**

Technical data

Edge router		GKF 550
Article number		3 601 FA0 0..
Rated power input	W	550
No-load speed	min ⁻¹	33,000
Tool holder	mm	6
	inches	¼
Weight according to EPTA-Procedure 01:2014	kg	1.4
Protection class		□/II

The specifications apply to a rated voltage [U] of 230 V. These specifications may vary at different voltages and in country-specific models.

Fitting

- ▶ **Pull the plug out of the socket before carrying out any work on the power tool.**

Changing the tool

- ▶ **Wearing protective gloves while fitting and changing router bits is recommended.**

Original router bits from the extensive range of **Bosch** accessories are available from your specialist dealer.

Removing the routing base (see figure A)

Before fitting a router bit, you must first separate the routing base (2) from the drive unit (1).

Open the wing bolt (10) on the routing base (2).

Pull the drive unit out in an upward direction.

Changing the Collet (see figure B)

Depending on the router bit used, you may have to change the cap nut with the collet (7) before fitting the router bit.

If the right collet for your router bit is already fitted, please follow the work steps in the following section.

The collet (13) must sit in the cap nut with a small amount of play. The cap nut (7) must be easy to fit. If the cap nut or collet is damaged, replace it immediately.

Place the open-ended spanner (15) on the tool holder (14) (see figure C1).

Unscrew the cap nut (7) anticlockwise using the open-ended spanner (16).

If required, clean all the parts you want to fit with a soft brush or by blowing them clean with compressed air before assembling them.

Place the new cap nut on the tool holder (14).

Loosely tighten the cap nut.

- ▶ **Do not, under any circumstances, tighten the collet with the tightening nut until a router bit has been fitted.** The collet may otherwise become damaged.

Fitting the router bit (see figure C1 – C2)

Router bits are available in a wide variety of designs and qualities depending on the intended application.

Router bits made of high-performance high-speed steel (HSS) are suited to machining soft materials such as softwood and plastic.

Router bits with carbide tips (HM) are especially suitable for hard and abrasive materials such as hardwood and aluminium.

Original router bits from the extensive range of Bosch accessories are available from your specialist dealer.

Only use undamaged and clean router bits.

Fitting the routing base (see figure A)

To start routing, the routing base (2) must be fitted back onto the drive unit (1).

Open the wing bolt (10) on the routing base (2).

Slide the drive unit (1) into the routing base (2).

Close the wing bolt (10) on the routing base (2).

- ▶ **After assembly, always check that the drive unit is firmly seated in the routing base.**

Dust/Chip Extraction

Dust from materials such as lead-containing coatings, some wood types, minerals and metal can be harmful to one's health. Touching or breathing-in the dust can cause allergic reactions and/or lead to respiratory infections of the user or bystanders.

Certain dust, such as oak or beech dust, is considered carcinogenic, especially in connection with wood-treatment additives (chromate, wood preservative). Materials containing asbestos may only be worked by specialists.

- Provide for good ventilation of the working place.
- It is recommended to wear a P2 filter-class respirator.

Observe the relevant regulations in your country for the materials to be worked.

- ▶ **Avoid dust accumulation at the workplace.** Dust can easily ignite.

Operation

- ▶ **Products that are only sold in AUS and NZ:** Use a residual current device (RCD) with a nominal residual current of 30 mA or less.
- ▶ **Pay attention to the mains voltage. The voltage of the power source must match the voltage specified on the rating plate of the power tool. Power tools marked with 230 V can also be operated with 220 V.**

Setting the routing depth

- ▶ **The routing depth must only be set while the power tool is switched off.**

To set the rough routing depth, proceed as follows:

- Place the power tool with a fitted router bit onto the workpiece you want to machine.
- Open the wing bolt (10) on the routing base (2).
- Move the drive unit (1) to the required depth using the scale for setting the routing depth (12) as a guide.
- Close the wing bolt (10) on the routing base (2).
- Check the routing depth you have set by carrying out a practical test and correct it if required.

Starting Operation

Switching on/off

To **switch on** the power tool, set the on/off switch (11) to I.
To **switch off** the power tool, set the on/off switch (11) to 0.

Working Advice

- ▶ **Protect router bits against shock and impact.**
- ▶ **Pull the plug out of the socket before carrying out any work on the power tool.**

Routing direction and routing process (see figure D)

- ▶ **Routing must always be carried out with the workpiece being moved against the direction in which the router bit (6) is turning (up cut).** If the workpiece is moved in the same direction as the router bit is turning (down cut), the power tool may be pulled out of your hands.

- ▶ **Only use the power tool when the routing base (2) is fitted.** Losing control of the power tool can cause injuries.

Note: Be aware that the router bit (6) always protrudes slightly from the base plate (9). Do not damage the template or the workpiece.

Set the routing depth you want.

Switch on the power tool and guide it to the point you want to machine.

Switch off the power tool after routing.

- ▶ **Do not put the power tool down before the router bit has come to a complete stop.** Application tools that are still running can cause injuries.

Routing with guide bushing (see figure E1 – E3)

Using the guide bushing (17), you can transfer contours from templates or patterns to the workpiece.

Select the guide bushing that is suitable for the thickness of the template or pattern. Due to the protruding height of the guide bushing, the template must have a minimum thickness of 8 mm (see figure E1).

- ▶ **Select a router bit with a diameter that is smaller than the interior diameter of the guide bushing.**

Unscrew the four cylinder screws on the underside of the guide plate (8) and remove the guide plate.

Insert the guide bushing (17) into the guide plate (see figure E2).

Loosely screw the guide plate back onto the base plate (9). It must still be possible to move the guide plate freely.

To ensure that the distance between the centre of the router bit and the edge of the guide bushing is uniform, the guide bushing and guide plate must (if necessary) be centrally aligned with each other.

- Align the guide plate such that the router bit and guide bushing are centred on the opening in the guide plate (see figure E3).
- Hold the guide plate in this position and firmly tighten the fastening screw.

To rout with the guide bushing (17), proceed as follows:

- Place the power tool with the guide bushing (17) onto the template.
- Guide the power tool with the protruding guide bushing along the template using lateral pressure.

Edge or profile routing (see figure F)

For edge and profile routing without a parallel guide, the router bit must be fitted with a pilot pin or a ball bearing.

While it is switched on, guide the power tool towards the workpiece from the side until the pilot pin or the ball bearing of the router bit is touching the side of the workpiece edge that you want to machine.

Guide the power tool along the workpiece edge. Pay attention that the router is positioned perpendicularly. Too much pressure can damage the edge of the workpiece.

Routing with a parallel guide (see figure G)

You can fit a parallel guide (18) for when cutting parallel to an edge.

Fit the parallel guide (18) to the routing base (2) using the knurled screw (4).

Set the required stop depth using the wing bolt on the parallel guide (19).

While it is switched on, guide the power tool along the workpiece edge with a uniform feed and while applying lateral pressure to the parallel guide.

Routing with a pilot (see figure H)

The pilot (20) helps when routing edges with router bits without a pilot pin or ball bearing.

Fit the pilot to the routing base (2) using the nut (4).

Guide the power tool along the workpiece edge with a uniform feed.

Lateral clearance: To change the amount of material being removed, you can adjust the lateral clearance between the workpiece and the guide roller (23) on the pilot (20).

Loosen the wing bolt (21), set the lateral clearance you want by turning the wing bolt (22), then retighten the wing bolt (21).

Height: Set the vertical alignment of the pilot according to the router bit you are using and the thickness of the workpiece you want to machine.

Loosen the nut (4) on the pilot, slide the pilot into the desired position and retighten the bolt.

Maintenance and Service

Maintenance and Cleaning

- ▶ **Pull the plug out of the socket before carrying out any work on the power tool.**
- ▶ **To ensure safe and efficient operation, always keep the power tool and the ventilation slots clean.**

In order to avoid safety hazards, if the power supply cord needs to be replaced, this must be done by **Bosch** or by an after-sales service centre that is authorised to repair **Bosch** power tools.

After-Sales Service and Application Service

Our after-sales service responds to your questions concerning maintenance and repair of your product as well as spare parts. You can find explosion drawings and information on spare parts at: www.bosch-pt.com

The Bosch product use advice team will be happy to help you with any questions about our products and their accessories.

In all correspondence and spare parts orders, please always include the 10-digit article number given on the nameplate of the product.

Cambodia

Robert Bosch (Cambodia) Co., Ltd
Unit 8BC, GT Tower, 08th Floor, Street 169,
Czechoslovakia Blvd, Sangkat Veal Vong
Khan 7 Makara, Phnom Penh
VAT TIN: 100 169 511
Tel.: +855 23 900 685
Tel.: +855 23 900 660
www.bosch.com.kh

People's Republic of China

China Mainland

Bosch Power Tool (China) Co. Ltd.
Bosch Service Center
567, Bin Kang Road
Bin Kang District
Hangzhou, Zhejiang Province
China 310052
Tel.: (0571) 8887 5566 / 5588
Fax: (0571) 8887 6688 x 5566# / 5588#
E-Mail: bsc.hz@cn.bosch.com
www.bosch-pt.com.cn

HK and Macau Special Administrative Regions

Robert Bosch Co. Ltd.
21st Floor, 625 King's Road
North Point, Hong Kong
Customer Service Hotline: +852 2101 0235
Fax: +852 2590 9762
E-Mail: info@hk.bosch.com
www.bosch-pt.com.hk

India

Bosch Service Center
69, Habibullah Road, (Next to PSBB School), T. Nagar

Chennai-600077
Phone: (044) 64561816
Bosch Service Center
18, Community Center
Phase 1, Mayapuri
New Delhi-110064
Phone: (011) 43166190

Indonesia

PT Robert Bosch
Palma Tower 10th Floor
Jalan RA Kartini II-S Kaveling 6
Pondok Pinang, Kebayoran Lama
Jakarta Selatan 12310
Tel.: (21) 3005-5800
www.bosch-pt.co.id

Malaysia

Robert Bosch Sdn. Bhd.(220975-V) PT/SMY
No. 8A, Jalan 13/6
46200 Petaling Jaya
Selangor
Tel.: (03) 79663194
Toll-Free: 1800 880188
Fax: (03) 79583838
E-Mail: kiathoe.chong@my.bosch.com
www.bosch-pt.com.my

Pakistan

Robert Bosch Middle East FZE – Pakistan Liaison Office
2nd Floor Plaza # 10, CCA Block, DHA Phase 5
Lahore, 54810
Phone: +92(303)4444311
Email: Faisal.Khan@bosch.com

Philippines

Robert Bosch, Inc.
28th Floor Fort Legend Towers,
3rd Avenue corner 31st Street,
Fort Bonifacio, Global City,
1634 Taguig City
Tel.: (632) 8703871
Fax: (632) 8703870
www.bosch-pt.com.ph

Singapore

Powerwell Service Centre Ptd Ltd
Bosch Authorised Service Centre (Power Tools)
4012 Ang Mo Kio Ave 10, #01-02 TECHplace
Singapore 569628
Tel.: 6452 1770
Fax: 6452 1760
E-Mail: ask@powerwellsc.com
www.powerwellsc.com
www.bosch-pt.com.sg

Thailand

Robert Bosch Ltd.
FYI Center Tower 1, 5th Floor,
2525 Rama IV Road, Klongtoei,
Bangkok 10110
Tel.: 02 0128888

Fax: 02 0645802

www.bosch.co.th

Bosch Service – Training Centre
La Salle Tower Ground Floor Unit No.2
10/11 La Salle Moo 16
Srinakharin Road
Bangkaew, Bang Plee
Samutprakarn 10540
Tel.: 02 7587555
Fax: 02 7587525

Vietnam

Branch of Bosch Vietnam Co., Ltd in HCMC
14th floor, Deutsches Haus, 33 Le Duan
Ben Nghe Ward, District 1, Ho Chi Minh City
Tel.: (028) 6258 3690
Fax: (028) 6258 3692 - 6258 3694
Hotline: (028) 6250 8555
Email: tuvankhachhang-pt@vn.bosch.com
www.bosch-pt.com.vn

Bahrain

EA Juffali and Brothers for Technical Equipment Company.
Kingdom of Bahrain, Al Aker - Block 0624 - Road 2403 -
Building 0055D
Phone: +97317704537
Fax: +973177045257
Email: h.berjas@ejb.com.sa

Egypt

RBEG-LLC
22 Kamal Eldin Hussein
Sheraton Heliopolis
11799 Cairo
E-mail: boschegypt.powertools@eg.bosch.com

Iran

Robert Bosch Iran
3rd Floor, No 3, Maadiran Building
Aftab St., Khodami St., Vanak Sq.
Tehran 1994834571
Phone: +9821- 86092057

Iraq

Sahba Technology Group
Al Muthana airport road
Baghdad
Phone Bagdad: +964 (0) 7 901 930366
Phone Dubai: +971 (0) 4 422 1898
Email: duraid@sahbatechnology.com

Jordan

Roots Arabia – Jordan
Al-Hurriyah Street, Al-Muqabalein
Amman 11623, Jordan
P.O. Box: 110068
Tel. : +962 6 4398990
E-mail: bosch@rootsjordan.com

Kuwait

Shuwaikh Industrial Area, Block 1, Plot 16, Street 3rd
P.O. Box 164 – Safat 13002
Phone: +965 - 2496 88 88

Fax: +965 - 2481 08 79

E-mail: josephkr@aaalmutawa.com

Lebanon

Tehini Hana & Co. S.A.R.L.
P.O. Box 90-449
Jdeideh 1202 2040
Dora-Beirut
Phone: +9611255211
Email: service-pt@tehini-hana.com

Libya

El Naser for Workshop Tools
Swanee Road, Alfalah Area
Tripoli
Phone: +218 21 4811184

Oman

Malatan Trading & Contracting LLC
P.O. Box 131, Ruwi, Muscat
Postal Code: 112, Sultanate of Oman
Phone: +968 2479 4035/4089/4901
Mob: +968-91315465
Fax: +968 2479 4058
E-Mail: sudhirkumar@malatan.net

Qatar

International Construction Solutions W L L
P. O. Box 51, Doha
Phone: +974 40065458
Fax: +974 4453 8585
Email: csd@icsdoha.com

Saudi Arabia

Juffali Technical Equipment Co. (JTECO)
P.O.Box: 1049 – Jeddah 21431 – KSA
Jeddah: 00966 (0) 12 692 0770 – Ext 433
Riyadh: 00966 (0) 11 409 3976 – Ext-30/34/39
Dammam: 00966 (0) 13 833 9565
E-mail: M.Zreik@ejab.com.sa

Syria

Dallal Establishment for Power Tools
Damascus. Baramkeh street - lbn Amer street,
Phone: +963112241006 or 009631122414009
Mobile: 00963991141005
Email: rita.dallal@hotmail.com

United Arab Emirates

Central Motors & Equipment,
P.O. Box 26255, Dubai
Dubai: 00971 (0) 4 3090920/3090930
Abu Dhabi: 00971 (0) 2 4017745
Sharjah: 00971 (0) 6 5932777
Al Ain: 00971 (0) 3 7157419
E-Mail: Mallappa.Madari@centralmotors.ae

Yemen

Abu Alrejal Trading Corporation
P.O. Box : 17024 , Zubeiry St.
Sana'a, Yemen
Tel: +967-1-20 20 10
Fax: +967-1-47 19 17
E-mail: tech-tools@abualrejal.com/yahya@abualrejal.com

Ethiopia

Forever plc
Kebele 2,754, BP 4806,
Addis Ababa
Phone: +251 111 560 600
Email: foreverplc@ethionet.et

Ghana

Robert Bosch Ghana Limited
21 Kofi Annan Road Airport Residential Area Accra
Tel. +233 (0)3027 94616

Kenya

Robert Bosch East Africa Ltd
Mpaka Road P.O. Box 856
00606 Nairobi

Nigeria

Robert Bosch Nigeria Ltd.
52-54 Isaac John Street P.O. Box
GRA Ikeja - Lagos

Tanzania

Diesel & Autoelectric Service Ltd.
117 Nyerere Rd., P.O. Box 70839
Vingunguti 12109, Dar Es Salaam
Phone: +255 222 861 793/794

Australia, New Zealand and Pacific Islands

Robert Bosch Australia Pty. Ltd.
Power Tools
Locked Bag 66
Clayton South VIC 3169
Customer Contact Center
Inside Australia:
Phone: (01300) 307044
Fax: (01300) 307045
Inside New Zealand:
Phone: (0800) 543353
Fax: (0800) 428570
Outside AU and NZ:
Phone: +61 3 95415555
www.bosch-pt.com.au
www.bosch-pt.co.nz

Republic of South Africa**Customer service**

Hotline: (011) 6519600

Gauteng - BSC Service Centre

35 Roper Street, New Centre
Johannesburg
Tel.: (011) 4939375
Fax: (011) 4930126
E-Mail: bsctools@icon.co.za

KZN - BSC Service Centre

Unit E, Almar Centre
143 Crompton Street
Pinetown
Tel.: (031) 7012120
Fax: (031) 7012446
E-Mail: bsc.dur@za.bosch.com

Western Cape - BSC Service Centre

Democracy Way, Prosperity Park
Milnerton
Tel.: (021) 5512577
Fax: (021) 5513223
E-Mail: bsc@zsd.co.za

Bosch Headquarters

Midrand, Gauteng
Tel.: (011) 6519600
Fax: (011) 6519880
E-Mail: rbsa-hq.pts@za.bosch.com

Armenia, Azerbaijan, Georgia

Robert Bosch Ltd.
David Agmashenebeli ave. 61
0102 Tbilisi, Georgia
Tel. +995322510073
www.bosch.com

Kyrgyzstan, Mongolia, Tajikistan, Turkmenistan, Uzbekistan

TOO "Robert Bosch" Power Tools, After Sales Service
Muratbaev Ave., 180
050012, Almaty, Kazakhstan
Service Email: service.pt.ka@bosch.com
Official Website: www.bosch.com, www.bosch-pt.com

Disposal

The power tool, accessories and packaging should be recycled in an environmentally friendly manner.



Do not dispose of power tools along with household waste.

Français**Consignes de sécurité****Avertissements de sécurité généraux pour l'outil électrique**

AVERTISSEMENT Lire tous les avertissements de sécurité, les instructions, les illustrations et les spécifications fournis

avec cet outil électrique. Ne pas suivre les instructions énumérées ci-dessous peut provoquer un choc électrique, un incendie et/ou une blessure sérieuse.

Conserver tous les avertissements et toutes les instructions pour pouvoir s'y reporter ultérieurement.

Le terme "outil électrique" dans les avertissements fait référence à votre outil électrique alimenté par le secteur (avec cordon d'alimentation) ou votre outil électrique fonctionnant sur batterie (sans cordon d'alimentation).

Sécurité de la zone de travail

- ▶ **Conserver la zone de travail propre et bien éclairée.**
Les zones en désordre ou sombres sont propices aux accidents.
- ▶ **Ne pas faire fonctionner les outils électriques en atmosphère explosive, par exemple en présence de liquides inflammables, de gaz ou de poussières.** Les outils électriques produisent des étincelles qui peuvent enflammer les poussières ou les fumées.
- ▶ **Maintenir les enfants et les personnes présentes à l'écart pendant l'utilisation de l'outil électrique.** Les distractions peuvent vous faire perdre le contrôle de l'outil.

Sécurité électrique

- ▶ **Il faut que les fiches de l'outil électrique soient adaptées au socle. Ne jamais modifier la fiche de quelque façon que ce soit. Ne pas utiliser d'adaptateurs avec des outils électriques à branchement de terre.** Des fiches non modifiées et des socles adaptés réduisent le risque de choc électrique.
- ▶ **Éviter tout contact du corps avec des surfaces reliées à la terre telles que les tuyaux, les radiateurs, les cuisinières et les réfrigérateurs.** Il existe un risque accru de choc électrique si votre corps est relié à la terre.
- ▶ **Ne pas exposer les outils électriques à la pluie ou à des conditions humides.** La pénétration d'eau à l'intérieur d'un outil électrique augmente le risque de choc électrique.
- ▶ **Ne pas maltraiter le cordon. Ne jamais utiliser le cordon pour porter, tirer ou débrancher l'outil électrique. Maintenir le cordon à l'écart de la chaleur, du lubrifiant, des arêtes vives ou des parties en mouvement.** Des cordons endommagés ou emmêlés augmentent le risque de choc électrique.
- ▶ **Lorsqu'on utilise un outil électrique à l'extérieur, utiliser un prolongateur adapté à l'utilisation extérieure.** L'utilisation d'un cordon adapté à l'utilisation extérieure réduit le risque de choc électrique.
- ▶ **Si l'usage d'un outil électrique dans un emplacement humide est inévitable, utiliser une alimentation protégée par un dispositif à courant différentiel résiduel (RCD).** L'usage d'un RCD réduit le risque de choc électrique.

Sécurité des personnes

- ▶ **Rester vigilant, regarder ce que vous êtes en train de faire et faire preuve de bon sens dans votre utilisation de l'outil électrique. Ne pas utiliser un outil électrique lorsque vous êtes fatigué ou sous l'emprise de drogues, de l'alcool ou de médicaments.** Un moment d'inattention en cours d'utilisation d'un outil électrique peut entraîner des blessures graves.
- ▶ **Utiliser un équipement de protection individuelle. Toujours porter une protection pour les yeux.** Les équipements de protection individuelle tels que les masques contre les poussières, les chaussures de sécurité antidérapantes, les casques ou les protections audi-

tives utilisés pour les conditions appropriées réduisent les blessures.

- ▶ **Éviter tout démarrage intempestif. S'assurer que l'interrupteur est en position arrêté avant de brancher l'outil au secteur et/ou au bloc de batteries, de le ramasser ou de le porter.** Porter les outils électriques en ayant le doigt sur l'interrupteur ou brancher des outils électriques dont l'interrupteur est en position marche est source d'accidents.
- ▶ **Retirer toute clé de réglage avant de mettre l'outil électrique en marche.** Une clé laissée fixée sur une partie tournante de l'outil électrique peut donner lieu à des blessures.
- ▶ **Ne pas se précipiter. Garder une position et un équilibre adaptés à tout moment.** Cela permet un meilleur contrôle de l'outil électrique dans des situations inattendues.
- ▶ **S'habiller de manière adaptée. Ne pas porter de vêtements amples ou de bijoux. Garder les cheveux et les vêtements à distance des parties en mouvement.** Des vêtements amples, des bijoux ou les cheveux longs peuvent être pris dans des parties en mouvement.
- ▶ **Si des dispositifs sont fournis pour le raccordement d'équipements pour l'extraction et la récupération des poussières, s'assurer qu'ils sont connectés et correctement utilisés.** Utiliser des collecteurs de poussière peut réduire les risques dus aux poussières.
- ▶ **Rester vigilant et ne pas négliger les principes de sécurité de l'outil sous prétexte que vous avez l'habitude de l'utiliser.** Une fraction de seconde d'inattention peut provoquer une blessure grave.

Utilisation et entretien de l'outil électrique

- ▶ **Ne pas forcer l'outil électrique. Utiliser l'outil électrique adapté à votre application.** L'outil électrique adapté réalise mieux le travail et de manière plus sûre au régime pour lequel il a été construit.
- ▶ **Ne pas utiliser l'outil électrique si l'interrupteur ne permet pas de passer de l'état de marche à arrêté et inversement.** Tout outil électrique qui ne peut pas être commandé par l'interrupteur est dangereux et il faut le réparer.
- ▶ **Débrancher la fiche de la source d'alimentation et/ou enlever le bloc de batteries, s'il est amovible, avant tout réglage, changement d'accessoires ou avant de ranger l'outil électrique.** De telles mesures de sécurité préventives réduisent le risque de démarrage accidentel de l'outil électrique.
- ▶ **Conserver les outils électriques à l'arrêt hors de la portée des enfants et ne pas permettre à des personnes ne connaissant pas l'outil électrique ou les présentes instructions de le faire fonctionner.** Les outils électriques sont dangereux entre les mains d'utilisateurs novices.
- ▶ **Observer la maintenance des outils électriques et des accessoires. Vérifier qu'il n'y a pas de mauvais alignement ou de blocage des parties mobiles, des pièces**

cassées ou toute autre condition pouvant affecter le fonctionnement de l'outil électrique. En cas de dommages, faire réparer l'outil électrique avant de l'utiliser. De nombreux accidents sont dus à des outils électriques mal entretenus.

- ▶ **Garder affûtés et propres les outils permettant de couper.** Des outils destinés à couper correctement entretenus avec des pièces coupantes tranchantes sont moins susceptibles de bloquer et sont plus faciles à contrôler.
- ▶ **Utiliser l'outil électrique, les accessoires et les lames etc., conformément à ces instructions, en tenant compte des conditions de travail et du travail à réaliser.** L'utilisation de l'outil électrique pour des opérations différentes de celles prévues peut donner lieu à des situations dangereuses.
- ▶ **Il faut que les poignées et les surfaces de préhension restent sèches, propres et dépourvues d'huiles et de graisses.** Des poignées et des surfaces de préhension glissantes rendent impossibles la manipulation et le contrôle en toute sécurité de l'outil dans les situations inattendues.

Maintenance et entretien

- ▶ **Faire entretenir l'outil électrique par un réparateur qualifié utilisant uniquement des pièces de rechange identiques.** Cela assure le maintien de la sécurité de l'outil électrique.

Consignes de sécurité pour affleureuses

- ▶ **Tenir l'outil électrique uniquement par les surfaces de préhension isolantes, car la fraise peut être en contact avec son propre câble.** Le fait de couper un fil "sous tension" peut également mettre "sous tension" les parties métalliques exposées de l'outil électrique et provoquer un choc électrique sur l'opérateur.
- ▶ **Utiliser des pinces ou autre moyen pratique de fixer et soutenir la pièce à usiner à la plate-forme stable.** Le fait de tenir la pièce de travail avec la main ou contre son corps le rend instable et peut entraîner une perte de contrôle.
- ▶ **La vitesse maximale admissible de la fraise doit être au moins égale à la vitesse maximale indiquée sur l'outil électroportatif.** Les fraises qui tournent plus vite que leur vitesse maximale admissible risquent de se rompre et de voler en éclat.
- ▶ **Les fraises et autres accessoires doivent être conçus pour le porte-outil (pince de serrage) de votre outil électroportatif.** Les outils qui ne correspondent pas exactement au porte-outil de l'outil électroportatif, tournent de façon irrégulière, génèrent de fortes vibrations et peuvent entraîner une perte de contrôle.
- ▶ **N'approchez l'outil électroportatif de la pièce à scier qu'après l'avoir mis en marche.** Il y a sinon risque de rebond au cas où la lame resterait coincée dans la pièce.

- ▶ **Ne fraisez jamais des pièces métalliques, clous ou vis.** La fraise pourrait être endommagée et se mettre à vibrer fortement.
- ▶ **Utilisez un détecteur approprié pour vérifier s'il n'y a pas de conduites cachées ou contactez votre société de distribution d'eau locale.** Tout contact avec des câbles électriques peut provoquer un incendie ou un choc électrique. Tout endommagement d'une conduite de gaz peut provoquer une explosion. La perforation d'une conduite d'eau provoque des dégâts matériels et peut provoquer un choc électrique.
- ▶ **N'utilisez pas de fraises émoussées ou endommagées.** Les fraises émoussées ou endommagées provoquent une friction trop élevée, elles peuvent rester coincées et déséquilibrer la défonceuse.
- ▶ **Avant de poser l'outil électroportatif, attendez que celui-ci soit complètement à l'arrêt.** L'outil risque de se coincer, ce qui entraînerait une perte de contrôle de l'outil électroportatif.

Description des prestations et du produit



Lisez attentivement toutes les instructions et consignes de sécurité. Le non-respect des instructions et consignes de sécurité peut provoquer un choc électrique, un incendie et/ou entraîner de graves blessures.

Référez-vous aux illustrations qui se trouvent à l'avant de la notice d'utilisation.

Utilisation conforme

Équipé d'un support stable, l'outil électroportatif est conçu pour le fraisage de rainures, bords, profils et trous oblongs ainsi que pour le fraisage par copiage dans le bois, les plastiques et les matériaux de construction légers.

Éléments constitutifs

La numérotation des éléments de l'appareil se réfère à la représentation de l'outil électroportatif sur la page graphique.

- (1) Bloc moteur
- (2) Berceau de fraisage
- (3) Porte-balais
- (4) Écrou pour guidage de la fraise
- (5) Éjecteur de copeaux
- (6) Fraise^{A)}
- (7) Écrou-raccord avec pince de serrage
- (8) Plaque d'assise
- (9) Plaque de base
- (10) Vis papillon pour berceau de fraisage
- (11) Interrupteur Marche/Arrêt
- (12) Échelle graduée de réglage de la profondeur de fraisage
- (13) Pince de serrage

- (14) Porte-outil
- (15) Clé plate (10 mm)^{A)}
- (16) Clé plate (17 mm)^{A)}
- (17) Bague de copiage^{A)}
- (18) Butée parallèle^{A)}
- (19) Vis papillon de butée parallèle^{A)}
- (20) Guide coulissant^{A)}
- (21) Vis papillon pour réglage de la position horizontale^{A)}
- (22) Vis papillon pour réglage de la position horizontale du guide coulissant^{A)}
- (23) Galet^{A)}
- (24) Poignée (surface de préhension isolée)

A) Les accessoires décrits ou illustrés ne sont pas tous compris dans la fourniture. Vous trouverez les accessoires complets dans notre gamme d'accessoires.

Caractéristiques techniques

Affleureuse		GKF 550
Référence		3 601 FA0 0..
Puissance absorbée nominale	W	550
Régime à vide	tr/min	33 000
Porte-outil	mm pouce	6 ¼
Poids selon EPTA-Procédure 01:2014	kg	1,4
Indice de protection		□/II

Les données indiquées sont valables pour une tension nominale [U] de 230 V. Elles peuvent varier lorsque la tension diffère de cette valeur et sur certaines versions destinées à certains pays.

Montage

- **Débranchez le câble d'alimentation de la prise avant d'effectuer des travaux quels qu'il soient sur l'outil électroportatif.**

Changement d'outil

- **Il est recommandé de porter des gants de protection pour le montage et le changement des fraises.**

Vous trouverez toutes les fraises de la gamme étendue d'accessoires **Bosch** auprès de votre revendeur spécialisé.

Démontage du berceau de fraiseage (voir figure A)

Avant de monter une fraise, séparez d'abord le berceau de fraiseage (2) du bloc moteur (1).

Dévissez la vis papillon sur le (10) berceau de fraiseage (2).

Tirez le bloc moteur vers le haut.

Remplacement de la pince de serrage (voir figure B)

Pour certaines fraises, il est nécessaire de changer d'écrou-raccord à l'aide de la pince de serrage (7), avant d'insérer la fraise.

Si la pince de serrage adaptée à votre fraise est déjà en place, suivez les opérations de la section suivante.

La pince de serrage (13) doit être positionnée dans l'écrou-raccord avec un peu de jeu. L'écrou-raccord (7) doit être facile à monter. Remplacez immédiatement l'écrou-raccord ou la pince de serrage s'ils sont endommagés.

Positionnez la clé plate (15) au niveau du porte-outil (14) (voir figure C1).

Desserrez l'écrou-raccord (7) dans le sens antihoraire à l'aide de la clé plate (16).

Si nécessaire, nettoyez avant le montage toutes les pièces à l'aide d'un pinceau doux ou en les soufflant à l'air comprimé. Montez le nouvel écrou-raccord sur le porte-outil (14).

Serrez légèrement l'écrou-raccord.

- **Ne serrez en aucun cas la pince de serrage avec l'écrou-raccord tant qu'aucune fraise n'est montée.** La pince de serrage risque sinon d'être endommagée.

Mise en place d'une fraise (voir figures C1 – C2)

De nombreuses fraises, de versions et de qualités différentes, sont disponibles pour de multiples applications.

Les fraises en acier rapide (HSS) sont destinées aux matériaux tendres tels que le bois tendre ou les matières plastiques.

Les fraises munies de taillants en carbure sont spécialement conçues pour les matériaux durs et abrasifs tels que le bois dur et l'aluminium.

Vous trouverez toutes les fraises Bosch de la gamme étendue d'accessoires Bosch auprès de votre revendeur spécialisé.

N'utilisez que des fraises en parfait état et propres.

Montage du berceau de fraiseage (voir figure A)

Pour fraiser, montez à nouveau le berceau de fraiseage (2) sur le bloc moteur (1).

Dévissez la vis papillon (10) du berceau de fraiseage (2).

Insérez le bloc moteur (1) dans le berceau de fraiseage (2).

Resserrez la vis papillon (10) sur le berceau de fraiseage (2).

- **Après le montage, vérifiez toujours si le bloc moteur est bien en place dans le berceau de fraiseage.**

Aspiration de poussières/de copeaux

Les poussières de matériaux tels que peintures contenant du plomb, certains bois, minéraux ou métaux, peuvent être nuisibles à la santé. Entrer en contact ou aspirer les poussières peut entraîner des réactions allergiques et/ou des maladies respiratoires auprès de l'utilisateur ou de personnes se trouvant à proximité.

Certaines poussières telles que les poussières de chêne ou de hêtre sont considérées comme cancérigènes, surtout en association avec des additifs pour le traitement du bois (chromate, lazure). Les matériaux contenant de l'amiante ne doivent être travaillés que par des personnes qualifiées.

- Veillez à bien aérer la zone de travail.
- Il est recommandé de porter un masque respiratoire avec un niveau de filtration de classe P2.

Respectez les règlements spécifiques aux matériaux à traiter en vigueur dans votre pays.

- **Évitez toute accumulation de poussières sur le lieu de travail.** Les poussières peuvent facilement s'enflammer.

Utilisation

- **Tenez compte de la tension du réseau ! La tension de la source de courant doit correspondre aux indications se trouvant sur la plaque signalétique de l'outil électroportatif. Les outils électroportatifs marqués 230 V peuvent également fonctionner sur 220 V.**

Réglage de la profondeur de fraisage

- **Ne procédez au réglage de la profondeur de fraisage que quand l'outil électroportatif est à l'arrêt.**

Pour le réglage grossier de la profondeur de fraisage, procédez comme suit :

- Posez l'outil électroportatif muni de la fraise voulue sur la pièce à travailler.
- Dévissez la vis papillon (10) du berceau de fraisage (2).
- Déplacez le bloc moteur (1) à la profondeur voulue à l'aide de l'échelle graduée de réglage de profondeur de fraisage (12).
- Resserrez la vis papillon (10) sur le berceau de fraisage (2).
- Faites un premier essai pour contrôler si le réglage de la profondeur de fraisage est correct et corrigez si nécessaire.

Mise en marche

Mise en marche/arrêt

Pour **mettre en marche** l'outil électroportatif, placez l'interrupteur Marche/Arrêt (11) sur I.

Pour **éteindre** l'outil électroportatif, placez l'interrupteur Marche/Arrêt (11) sur 0.

Instructions d'utilisation

- **Protégez les fraises contre les chocs et les coups.**
- **Débranchez le câble d'alimentation de la prise avant d'effectuer des travaux quels qu'il soient sur l'outil électroportatif.**

Sens de fraisage et processus de fraisage (voir figure D)

- **Toujours déplacer l'outil électroportatif dans le sens opposé au sens de rotation de la fraise (6) (fraisage en opposition).** En cas de fraisage dans le sens de rotation de la fraise (fraisage en avalant), l'outil électroportatif peut être arraché de votre main.
- **N'utilisez l'outil électroportatif que lorsque le berceau de fraisage (2) est monté.** La perte de contrôle de l'outil électroportatif peut entraîner des blessures.

Remarque : Tenez compte du fait que la fraise (6) dépasse toujours de la plaque de base (9). N'endommagez ni le gabarit ni la pièce à travailler.

Régalez la profondeur de fraisage souhaitée.

Mettez l'outil électroportatif en marche et approchez-le de l'endroit où vous souhaitez fraiser.

Une fois le fraisage terminé, éteignez l'outil électroportatif.

- **Ne posez l'outil électroportatif qu'après l'immobilisation complète de la fraise.** Les accessoires de travail qui continuent de tourner peuvent causer des blessures.

Fraisage avec bague de copiage (voir figures E1 – E3)

La bague de copiage (17) permet de reproduire des contours de modèles ou de gabarits sur des pièces.

Sélectionnez la bague de copiage adaptée à l'épaisseur du gabarit ou du modèle. Du fait de la hauteur de dépassement de la bague de copiage, le gabarit doit avoir une épaisseur d'au moins 8 mm (voir figure E1).

- **Choisissez un diamètre de fraise inférieur au diamètre intérieur de la bague de copiage.**

Desserrez les quatre vis à tête cylindrique se trouvant sur le dessous de la plaque d'assise (8) et enlevez la plaque d'assise.

Insérez la bague de copiage (17) dans la plaque d'assise (voir figure E2).

Revissez sans forcer la plaque d'assise sur la plaque de base (9). La plaque d'assise doit encore pouvoir bouger librement.

Pour que la distance entre le milieu de la fraise et le bord de la bague de copiage soit partout la même, il vous faut si nécessaire corriger le centrage de la bague de copiage par rapport à la plaque d'assise.

- Orientez la plaque d'assise de sorte que la fraise et la bague de copiage soient centrées dans l'évidement de la plaque d'assise (voir figure E3).
- Maintenez la plaque d'assise dans cette position et serrez les vis de fixation.

Pour fraiser avec la bague de copiage (17), procédez comme suit :

- Positionnez l'outil électroportatif avec la bague de copiage (17) contre le gabarit.
- Guidez l'outil électroportatif, avec la bague de copiage en saillie, le long du gabarit en exerçant une pression latérale.

Fraisage de bords ou de profilés (voir figure F)

Pour fraiser des bords ou des profilés sans butée parallèle, la fraise doit être munie d'un tourillon de guidage ou d'un roulement à billes.

Approchez par le côté l'outil électroportatif en marche de la pièce à fraiser, jusqu'à ce que le tourillon ou le roulement à billes de la fraise touche le bord de la pièce.

Déplacez l'outil électroportatif le long du bord de la pièce. Veillez à une position d'appui angulaire correcte. Une pression trop importante risque d'endommager le bord de la pièce.

Fraisage avec butée parallèle (voir figure G)

Pour effectuer des coupes parallèles le long d'un bord, il est possible de monter une butée parallèle (18).

Fixez la butée parallèle (18) au berceau de fraisage (2) avec la vis moletée (4).

Réglez la profondeur de butée souhaitée à l'aide de la vis papillon de butée parallèle **(19)**.

Guidez l'outil électroportatif en marche le long du bord de la pièce avec une vitesse d'avance constante et en exerçant une pression latérale sur la butée parallèle.

Fraisage avec guide coulissant (voir figure H)

Le guide coulissant **(20)** sert à fraiser des chants avec des fraises sans tourillon de guidage ou roulement à billes.

Fixez le guide coulissant au berceau **(2)** à l'aide de l'écrou **(4)**.

Guidez l'outil électroportatif le long du bord de la pièce avec une vitesse d'avance constante.

Distance latérale : Pour modifier la quantité de matière à enlever, il est possible de régler la distance latérale entre la pièce et le galet **(23)** du guide coulissant **(20)**.

Desserrez la vis papillon **(21)**, réglez la distance latérale souhaitée en tournant la vis papillon **(22)** et resserrez la vis papillon **(21)**.

Hauteur : Réglez la position verticale du guide coulissant en fonction de la fraise utilisée et de l'épaisseur de la pièce.

Desserrez l'écrou **(4)** du guide coulissant, déplacez le guide dans la position voulue puis resserrez la vis.

Entretien et Service après-vente

Nettoyage et entretien

- ▶ **Débranchez le câble d'alimentation de la prise avant d'effectuer des travaux quels qu'il soient sur l'outil électroportatif.**
- ▶ **Tenez toujours propres l'outil électroportatif ainsi que les fentes de ventilation afin d'obtenir un travail impeccable et sûr.**

Dans le cas où il s'avère nécessaire de remplacer le câble d'alimentation, confiez le remplacement à **Bosch** ou une station de Service Après-Vente agréée pour outillage **Bosch** afin de ne pas compromettre la sécurité.

Service après-vente et conseil utilisateurs

Notre Service après-vente répond à vos questions concernant la réparation et l'entretien de votre produit et les pièces de rechange. Vous trouverez des vues éclatées et des informations sur les pièces de rechange sur le site : www.bosch-pt.com

L'équipe de conseil utilisateurs Bosch se tient à votre disposition pour répondre à vos questions concernant nos produits et leurs accessoires.

Pour toute demande de renseignement ou toute commande de pièces de rechange, précisez impérativement la référence à 10 chiffres figurant sur l'étiquette signalétique du produit.

Algérie

Siestal
Zone Industrielle Ihaddaden
06000 Bejaia
Tel. : +213 (0) 982 400 991/2

Fax : +213 (0) 3 420 1569

E-Mail : sav@siestal-dz.com

Maroc

Robert Bosch Morocco SARL
53, Rue Lieutenant Mahroud Mohamed
20300 Casablanca
Tel. : +212 5 29 31 43 27
E-Mail : sav.outillage@ma.bosch.com

Tunisie

Robert Bosch Tunisie SARL
7 Rue Ibn Battouta Z.I. Saint Gobain
Mégrine Riadh
2014 Ben Arous
Tél. : +216 71 427 496/879
Fax : +216 71 428 621
E-Mail : sav.outillage@tn.bosch.com

Côte d'Ivoire

Rimco
ZONE 3, 9 RUE DU CANAL
01 BP V230, Abidjan 01
Tel. : +225 21 25 93 38

Sénégal

Bernabé
Km 2,5 – Bd du Centenaire de la Commune de Dakar
B.P. 2098 DAKAR
Tel. : +221 33 849 01 01
Fax : +221 33 823 34 20

Élimination des déchets

Les outils électroportatifs, ainsi que leurs accessoires et emballages, doivent pouvoir suivre chacun une voie de recyclage appropriée.



Ne jetez pas les outils électroportatifs avec les ordures ménagères !

Português

Instruções de segurança

Instruções gerais de segurança para ferramentas eléctricas

AVISO

Devem ser lidas todas as indicações de segurança,

instruções, ilustrações e especificações desta ferramenta eléctrica. O desrespeito das instruções apresentadas abaixo poderá resultar em choque eléctrico, incêndio e/ou ferimentos graves.

Guarde bem todas as advertências e instruções para futura referência.

O termo "ferramenta eléctrica" utilizado a seguir nas indicações de advertência, refere-se a ferramentas

eléctricas operadas com corrente de rede (com cabo de rede) e a ferramentas eléctricas operadas com acumulador (sem cabo de rede).

Segurança da área de trabalho

- ▶ **Mantenha a sua área de trabalho sempre limpa e bem iluminada.** Desordem ou áreas de trabalho insuficientemente iluminadas podem levar a acidentes.
- ▶ **Não trabalhar com a ferramenta eléctrica em áreas com risco de explosão, nas quais se encontrem líquidos, gases ou pós inflamáveis.** Ferramentas eléctricas produzem faíscas, que podem inflamar pós ou vapores.
- ▶ **Manter crianças e outras pessoas afastadas da ferramenta eléctrica durante a utilização.** No caso de distração é possível que perca o controlo sobre o aparelho.

Segurança eléctrica

- ▶ **A ficha de conexão da ferramenta eléctrica deve caber na tomada. A ficha não deve ser modificada de maneira alguma. Não utilizar uma ficha de adaptação junto com ferramentas eléctricas protegidas por ligação à terra.** Fichas não modificadas e tomadas apropriadas reduzem o risco de um choque eléctrico.
- ▶ **Evitar que o corpo possa entrar em contacto com superfícies ligadas à terra, como tubos, aquecimentos, fogões e frigoríficos.** Há um risco elevado devido a choque eléctrico, se o corpo estiver ligado à terra.
- ▶ **Manter o aparelho afastado de chuva ou humidade.** A infiltração de água numa ferramenta eléctrica aumenta o risco de choque eléctrico.
- ▶ **Não deverá utilizar o cabo para outras finalidades. Nunca utilizar o cabo para transportar a ferramenta eléctrica, para pendurá-la, nem para puxar a ficha da tomada. Manter o cabo afastado do calor, do óleo, de arestas afiadas ou de peças em movimento.** Cabos danificados ou emaranhados aumentam o risco de um choque eléctrico.
- ▶ **Se trabalhar com uma ferramenta eléctrica ao ar livre, só deverá utilizar cabos de extensão apropriados para áreas exteriores.** A utilização de um cabo de extensão apropriado para áreas exteriores reduz o risco de um choque eléctrico.
- ▶ **Se não for possível evitar o funcionamento da ferramenta eléctrica em áreas húmidas, deverá ser utilizado um disjuntor de corrente de avaria.** A utilização de um disjuntor de corrente de avaria reduz o risco de um choque eléctrico.

Segurança de pessoas

- ▶ **Esteja atento, observe o que está a fazer e tenha prudência ao trabalhar com a ferramenta eléctrica. Não utilizar uma ferramenta eléctrica quando estiver fatigado ou sob a influência de drogas, álcool ou medicamentos.** Um momento de descuido ao utilizar a ferramenta eléctrica, pode levar a lesões graves.

- ▶ **Utilizar equipamento de protecção individual. Utilizar sempre óculos de protecção.** A utilização de equipamento de protecção pessoal, como máscara de protecção contra pó, sapatos de segurança antiderrapantes, capacete de segurança ou protecção auricular, de acordo com o tipo e aplicação da ferramenta eléctrica, reduz o risco de lesões.
- ▶ **Evitar uma colocação em funcionamento involuntária. Assegure-se de que a ferramenta eléctrica esteja desligada, antes de conectá-la à alimentação de rede e/ou ao acumulador, antes de levantá-la ou de transportá-la.** Se tiver o dedo no interruptor ao transportar a ferramenta eléctrica ou se o aparelho for conectado à alimentação de rede enquanto estiver ligado, poderão ocorrer acidentes.
- ▶ **Remover ferramentas de ajuste ou chaves de boca antes de ligar a ferramenta eléctrica.** Uma ferramenta ou chave que se encontre numa parte do aparelho em movimento pode levar a lesões.
- ▶ **Evite uma posição anormal. Mantenha uma posição firme e mantenha sempre o equilíbrio.** Desta forma é mais fácil controlar a ferramenta eléctrica em situações inesperadas.
- ▶ **Usar roupa apropriada. Não usar roupa larga nem jóias. Mantenha os cabelos e roupas afastados de peças em movimento.** Roupas frouxas, cabelos longos ou jóias podem ser agarrados por peças em movimento.
- ▶ **Se for possível montar dispositivos de aspiração ou de recolha, assegure-se de que estejam conectados e utilizados correctamente.** A utilização de uma aspiração de pó pode reduzir o perigo devido ao pó.
- ▶ **Não deixe que a familiaridade resultante de uma utilização frequente de ferramentas permita que você se torne complacente e ignore os princípios de segurança da ferramenta.** Uma acção descuidada pode causar ferimentos graves numa fracção de segundo.

Utilização e manuseio cuidadoso de ferramentas eléctricas

- ▶ **Não sobrecarregue a ferramenta eléctrica. Utilize a ferramenta eléctrica apropriada para o seu trabalho.** É melhor e mais seguro trabalhar com a ferramenta eléctrica apropriada na área de potência indicada.
- ▶ **Não utilizar uma ferramenta eléctrica com um interruptor defeituoso.** Uma ferramenta eléctrica que não pode mais ser ligada nem desligada, é perigosa e deve ser reparada.
- ▶ **Puxar a ficha da tomada e/ou remover o acumulador, se amovível, antes de executar ajustes na ferramenta eléctrica, de substituir acessórios ou de guardar as ferramentas eléctricas.** Esta medida de segurança evita o arranque involuntário da ferramenta eléctrica.
- ▶ **Guardar ferramentas eléctricas não utilizadas fora do alcance de crianças e não permitir que as pessoas que não estejam familiarizadas com o aparelho ou que não tenham lido estas instruções utilizem o aparelho.**

Ferramentas eléctricas são perigosas se forem utilizadas por pessoas inexperientes.

- ▶ **Tratar a ferramenta eléctrica e os acessórios com cuidado. Controlar se as partes móveis do aparelho funcionam perfeitamente e não emperram, e se há peças quebradas ou danificadas que possam prejudicar o funcionamento da ferramenta eléctrica. Permitir que peças danificadas sejam reparadas antes da utilização.** Muitos acidentes têm como causa, a manutenção insuficiente de ferramentas eléctricas.
- ▶ **Manter as ferramentas de corte afiadas e limpas.** Ferramentas de corte cuidadosamente tratadas e com cantos de corte afiados emperram com menos frequência e podem ser conduzidas com maior facilidade.
- ▶ **Utilizar a ferramenta eléctrica, acessórios, ferramentas de aplicação, etc. conforme estas instruções. Considerar as condições de trabalho e a tarefa a ser executada.** A utilização de ferramentas eléctricas para outras tarefas a não ser as aplicações previstas, pode levar a situações perigosas.
- ▶ **Mantenha os punhos e as superfícies de agarrar secas, limpas e livres de óleo e massa consistente.** Punhos e superfícies de agarrar escorregadias não permitem o manuseio e controle seguros da ferramenta em situações inesperadas.

Serviço

- ▶ **Só permita que o seu aparelho seja reparado por pessoal especializado e qualificado e só com peças de reposição originais.** Desta forma é assegurado o funcionamento seguro do aparelho.

Instruções de segurança para minitupias

- ▶ **Segure a ferramenta eléctrica somente nas superfícies de agarrar isoladas, uma vez que o cortador pode entrar em contacto com o seu próprio cabo.** O corte de um fio "sob tensão" irá colocar as partes metálicas expostas da ferramenta eléctrica "sob tensão" e pode dar um choque eléctrico ao operador.
- ▶ **Use grampos ou outra forma prática para fixar e suportar a peça numa plataforma estável.** Segurar a peça com a mão ou contra o seu corpo deixa-a instável e pode levar à perda de controlo.
- ▶ **O número de rotações admissível da fresa deve ser no mínimo tão alto quanto o número de rotações máximo indicado na ferramenta eléctrica.** As fresas que rodam mais depressa do que o admissível podem quebrar e ser projetadas.
- ▶ **Fresas ou outros acessórios devem caber exatamente no encabadouro da ferramenta (pinça de aperto) da sua ferramenta eléctrica.** Ferramentas acopláveis, que não cabem exatamente no encabadouro da ferramenta eléctrica, giram irregularmente, vibram fortemente e podem levar à perda de controlo.
- ▶ **Só conduzir a ferramenta eléctrica no sentido da peça a ser trabalhada quando estiver ligada.** Caso contrário há

risco de um contragolpe, se a ferramenta de aplicação se engancha na peça a ser trabalhada.

- ▶ **Nunca passe a fresa por cima de objetos de metal, pregos ou parafusos.** A fresa pode ficar danificada e fazer aumentar as vibrações.
- ▶ **Utilizar detetores apropriados, para encontrar cabos escondidos, ou consulte a companhia eléctrica local.** O contacto com cabos eléctricos pode provocar fogo e choques eléctricos. Danos em tubos de gás podem levar à explosão. A penetração num cano de água causa danos materiais ou pode provocar um choque eléctrico.
- ▶ **Não utilize fresas embotadas ou danificadas.** Fresas embotadas ou danificadas causam elevada fricção, podem emperrar e levar a desequilíbrio.
- ▶ **Esperre que a ferramenta eléctrica pare completamente, antes de depositá-la.** A ferramenta de aplicação pode emperrar e levar à perda de controlo sobre a ferramenta eléctrica.

Descrição do produto e do serviço



Leia todas as instruções de segurança e instruções. A inobservância das instruções de segurança e das instruções pode causar choque eléctrico, incêndio e/ou ferimentos graves.

Respeite as figuras na parte da frente do manual de instruções.

Utilização adequada

A ferramenta eléctrica destina-se a fresar e a fresar por cópia, numa base fixa, ranhuras, arestas, perfis e furos oblongos em madeira, plástico e materiais leves.

Componentes ilustrados

A numeração dos componentes ilustrados refere-se à apresentação da ferramenta eléctrica na página de esquemas.

- (1) Motor
- (2) Cesto de fresagem
- (3) Suporte para carvão de lavar
- (4) Porca para guia de fresagem
- (5) Protecção contra aparas
- (6) Fresa^{A)}
- (7) Porca de capa com pinça de aperto
- (8) Placa deslizante
- (9) Placa de base
- (10) Porca de orelhas para cesto de fresar
- (11) Interruptor de ligar/desligar
- (12) Escala de ajuste da profundidade de fresagem
- (13) Pinça de aperto
- (14) Encabadouro
- (15) Chave de bocas (10 mm)^{A)}

- (16) Chave de bocas (17 mm)^{A)}
- (17) Manga de copiar^{A)}
- (18) Guia paralela^{A)}
- (19) Porca de orelhas para guia paralela^{A)}
- (20) Guia^{A)}
- (21) Porca de orelhas para fixação do alinhamento horizontal^{A)}
- (22) Porca de orelhas para alinhamento horizontal da guia^{A)}
- (23) Rolete deslizante^{A)}
- (24) Punho (superfície do punho isolada)

A) **Acessórios apresentados ou descritos não pertencem ao volume de fornecimento padrão. Todos os acessórios encontram-se no nosso programa de acessórios.**

Dados técnicos

Fresadora de arestas		GKF 550
Número de produto		3 601 FA0 0..
Potência nominal absorvida	W	550
N.º de rotações em vazio	r.p.m.	33 000
Encabadouro	mm polegadas	6 ¼
Peso conforme EPTA-Procedure 01:2014	kg	1,4
Classe de proteção		□ / II

Os dados aplicam-se a uma tensão nominal [U] de 230 V. Com tensões divergentes e em versões específicas do país, estes dados podem variar.

Montagem

- ▶ **Antes de todos trabalhos na ferramenta elétrica deverá puxar a ficha de rede da tomada.**

Troca de ferramenta

- ▶ **Para colocar e trocar as fresas, é recomendado utilizar luvas de proteção.**

Ferramentas de fresagem originais do vasto programa de acessórios **Bosch** podem ser adquiridas através do seu revendedor especializado.

Desmontar o cesto de fresar (ver figura A)

Antes de se poder colocar uma fresa, tem primeiro de se separar o cesto de fresar (2) do motor (1).

Soltar a porca de orelhas (10) no cesto de fresar (2).

Remover o motor puxando-o para cima.

Trocar a pinça de aperto (ver figura B)

Consoante a fresa usada, antes de colocar a fresa, tem de se trocar a porca de capa pela pinça de aperto (7).

Se já estiver montada a pinça de aperto correta para a fresa, seguir os passos de trabalho na secção.

A pinça de aperto (13) tem de assentar com alguma folga na porca de capa. A porca de capa (7) tem de ser fácil de

montar. Se a porca de capa ou a pinça de aperto estiverem danificadas, deverão ser substituídas imediatamente.

Colocar a chave de bocas (15) no encabadouro (14) (ver figura C1).

Desapertar a porca de capa (7) rodando-a para a esquerda com a chave de bocas (16).

Se necessário, todas as partes a serem montadas devem ser limpas com um pincel macio, ou com ar comprimido, antes da montagem.

Colocar a porca de capa nova no encabadouro (14).

Afrouxar a porca de capa.

- ▶ **Nunca apertar a pinça de aperto com a porca de capa, enquanto não estiver montada uma fresa.** Caso contrário, pode danificar a pinça de aperto.

Colocar a fresa (ver figura C1 - C2)

Dependendo da aplicação, estão disponíveis ferramentas de fresagem de diversos modelos e qualidades.

As fresas de aço de corte rápido de alto rendimento

(HSS) são adequadas para o processamento de materiais macios, como p. ex., madeira macia e plástico.

Fresas com gumes de metal duro (HM) são especialmente indicadas para materiais abrasivos e duros, como p. ex. madeira dura e alumínio.

Ferramentas de fresagem originais do vasto programa de acessórios Bosch podem ser adquiridas através do seu revendedor especializado.

Só utilizar ferramentas de fresagem limpas e em perfeitas condições.

Montar o cesto de fresar (ver figura A)

Para fresar é necessário voltar a montar o cesto de fresar (2) no motor (1).

Soltar a porca de orelhas (10) no cesto de fresar (2).

Deslizar o motor (1) para o cesto de fresar (2).

Apertar a porca de orelhas (10) no cesto de fresar (2).

- ▶ **Depois da montagem verificar sempre se o motor fica bem assente no cesto de fresar.**

Aspiração de pó/de aparas

Pós de materiais como por exemplo, tintas que contém chumbo, alguns tipos de madeira, minerais e metais, podem ser nocivos à saúde. O contacto ou a inalação dos pós pode provocar reações alérgicas e/ou doenças nas vias respiratórias do utilizador ou das pessoas que se encontrem por perto.

Certos pós, como por exemplo pó de carvalho e faia são considerados como sendo cancerígenos, especialmente quando juntos com substâncias para o tratamento de madeiras (cromato, preservadores de madeira). Material que contém asbesto só deve ser processado por pessoal especializado.

- Assegurar uma boa ventilação do local de trabalho.
- É recomendável usar uma máscara de proteção respiratória com filtro da classe P2.

Observe as diretivas para os materiais a serem processados, vigentes no seu país.

- **Evite a acumulação de pó no local de trabalho.** Pó podem entrar levemente em ignição.

Funcionamento

- **Observar a tensão de rede! A tensão da fonte de corrente elétrica deve coincidir com os dados que constam na placa de características da ferramenta elétrica.** Ferramentas elétricas marcadas para 230 V também podem ser operadas com 220 V.

Ajustar a profundidade de fresagem

- **O ajuste da profundidade de fresagem só pode ser feito com a ferramenta elétrica desligada.**

Para o ajuste aproximado, proceda da seguinte maneira:

- Colocar a ferramenta elétrica com a fresa montada sobre a peça a ser trabalhada.
- Soltar a porca de orelhas (10) no cesto de fresar (2).
- Deslocar o motor (1) para a profundidade desejada tendo em conta a escala de ajuste da profundidade de fresagem (12).
- Apertar a porca de orelhas (10) no cesto de fresar (2).
- Controlar o ajuste da profundidade de fresagem através de um ensaio prático e corrigir se necessário.

Colocação em funcionamento

Ligar e desligar

Para **ligar** a ferramenta elétrica, colocar o interruptor de ligar/desligar (11) em I.

Para **desligar** a ferramenta elétrica, colocar o interruptor de ligar/desligar (11) em 0.

Instruções de trabalho

- **Proteger as fresas contra golpes e pancadas.**
- **Antes de todos trabalhos na ferramenta elétrica deverá puxar a ficha de rede da tomada.**

Sentido e processo de fresagem (ver figura D)

- **A fresagem deve ocorrer sempre no sentido oposto ao da rotação da fresa (6) (sentido contrário).** Se fresar no mesmo sentido da fresa (sentido igual) a ferramenta elétrica pode fugir-lhe da mão.
- **Utilizar a ferramenta elétrica apenas com o cesto de fresar montado (2).** A perda de controlo sobre a ferramenta elétrica pode causar ferimentos.

Nota: Certifique-se de que a fresa (6) está sempre saliente da placa de base (9). Não danificar o escantilhão ou a peça de trabalho.

Ajustar a profundidade de fresagem desejada.

Ligar a ferramenta elétrica e aproximar do local a trabalhar.

Desligar a ferramenta elétrica depois de fresar.

- **Não depositar a ferramenta elétrica, antes que a fresa esteja completamente parada.** Ferramentas de trabalho em funcionamento de inércia podem causar lesões.

Fresar com manga de copiar (ver figuras E1 – E3)

Com a ajuda da manga de copiar (17) é possível transferir contornos de modelos ou escantilhões para as peças.

Selecionar a manga de copiar em função da espessura do escantilhão ou da peça. Devido à altura saliente da manga de copiar, o escantilhão tem de ter uma espessura mínima de 8 mm (ver figura E1).

- **Escolher uma fresa com um diâmetro inferior ao diâmetro interno da manga de copiar.**

Desenroskar os quatro parafusos de cabeça cilíndrica no lado de baixo da placa deslizante (8) e retirar a placa deslizante.

Colocar a manga de copiar (17) na placa deslizante (ver figura E2).

Voltar a aparafusar frouxamente a placa deslizante à placa de base (9). Ainda deve ser possível movimentar a placa deslizante sem problemas.

Para que a distância entre o centro da fresa e o rebordo da manga de copiar seja uniforme, é necessário centrar a manga de copiar e a placa deslizante entre elas.

- Alinhar a placa deslizante de forma a que a fresa e a manga de copiar fiquem centradas com a abertura da placa deslizante (ver figura E3).
- Manter a placa deslizante nesta posição e apertar bem os parafusos de fixação.

Para fresar com a manga de copiar (17), proceder da seguinte forma:

- Colocar a ferramenta elétrica com a manga de copiar (17) no escantilhão.
- Conduzir a ferramenta elétrica com a manga de copiar saliente, pressionando lateralmente, ao longo do escantilhão.

Fresar arestas ou formas (ver figura F)

Ao fresar arestas ou formas sem limitador paralelo, é necessário que a ferramenta de fresagem esteja equipada com um espigão de guia ou com um rolamento de esferas.

Aproximar a ferramenta elétrica ligada lateralmente da peça, até o espigão de guia ou o rolamento de esferas da fresa assentar na aresta da peça a ser trabalhada.

Conduzir a ferramenta elétrica ao longo da aresta da peça. Assegurar um apoio no ângulo correto. Uma pressão demasiado alta pode danificar a aresta da peça.

Fresar com guia paralela (ver figura G)

Para cortar paralelamente à aresta, é possível montar uma guia paralela (18).

Fixar a guia paralela (18) ao cesto de fresar (2) com o parafuso serrilhado (4).

Com a porca de orelhas na guia paralela (19) ajustar a profundidade de encosto desejada.

Conduzir a ferramenta elétrica ligada com avanço uniforme e pressão lateral ao longo da guia paralela na aresta da peça.

Fresar com guia (ver figura H)

A guia **(20)** destina-se à fresagem de arestas com fresas sem espigão de guia ou rolamento de esferas.

Fixar a guia no cesto de fresar **(2)** com a porca **(4)**.

Conduzir a ferramenta elétrica com avanço uniforme ao longo da aresta da peça.

Distância lateral: Para alterar a quantidade de remoção de material, é possível ajustar a distância lateral entre a peça e o rolete deslizante **(23)** na guia **(20)**.

Soltar a porca de orelhas **(21)**, ajustar a distância lateral desejada rodando a porca de orelhas **(22)** e voltar a apertar a porca de orelhas **(21)**.

Altura: Mediante a fresa utilizada e a espessura da peça a ser trabalhada, ajustar o alinhamento vertical da guia.

Soltar a porca **(4)** na guia, empurrar a guia para a posição desejada e apertar novamente o parafuso.

Manutenção e assistência técnica**Manutenção e limpeza**

- ▶ **Antes de todos trabalhos na ferramenta elétrica deverá puxar a ficha de rede da tomada.**
- ▶ **Manter a ferramenta elétrica e as aberturas de ventilação sempre limpas, para trabalhar bem e de forma segura.**

Se for necessário instalar um cabo de ligação, a instalação deve ser feita pela **Bosch** ou por um centro de serviço autorizado para ferramentas elétricas **Bosch**, para evitar perigos de segurança.

Serviço pós-venda e aconselhamento

O serviço pós-venda responde às suas perguntas a respeito de serviços de reparação e de manutenção do seu produto, assim como das peças sobressalentes. Desenhos explodidos e informações acerca das peças sobressalentes também em: **www.bosch-pt.com**

A nossa equipa de consultores Bosch esclarece com prazer todas as suas dúvidas a respeito dos nossos produtos e acessórios.

Indique para todas as questões e encomendas de peças sobressalentes a referência de 10 dígitos de acordo com a placa de características do produto.

Brasil

Robert Bosch Ltda. – Divisão de Ferramentas Elétricas
Rodovia Anhanguera, Km 98 - Parque Via Norte
13065-900, CP 1195
Campinas, São Paulo
Tel.: 0800 7045 446
www.bosch.com.br/contato

Angola

Robert Bosch Ltd
Divisão de Ferramentas Elétricas
Estrada de Cacucuo 288
Luanda

Tel. : +244 927 584 446

<http://www.bosch-professional.com/ao/pt/>

Eliminação

Ferramentas elétricas, acessórios e embalagens devem ser enviados a uma reciclagem ecológica de matérias-primas.



Não deitar ferramentas elétricas no lixo doméstico!

中文**安全规章****电动工具通用安全警告**

警告！ 阅读所有警告和所有说明！不遵照以下警告和说明会导致电击、着火和 / 或严重伤害。

保存所有警告和说明书以备查阅。

在所有下列的警告中术语“电动工具”指市电驱动（有线）电动工具或电池驱动（无线）电动工具。

工作场地的安全

- ▶ **保持工作场地清洁和明亮。** 混乱和黑暗的场地会引发事故。
- ▶ **不要在易爆环境，如有易燃液体、气体或粉尘的环境下操作电动工具。** 电动工具产生的火花会点燃粉尘或气体。
- ▶ **让儿童和旁观者离开后操作电动工具。** 注意力不集中会使操作者失去对工具的控制。

电气安全

- ▶ **电动工具插头必须与插座相配。绝不能以任何方式改装插头。** 需接地的电动工具不能使用任何转换插头。未经改装的插头和相配的插座将减少电击危险。
- ▶ **避免人体接触接地表面，如管道、散热片和冰箱。** 如果你身体接地会增加电击危险。
- ▶ **不得将电动工具暴露在雨中或潮湿环境中。** 水进入电动工具将增加电击危险。
- ▶ **不得滥用电线。绝不能用电线搬运、拉动电动工具或拔出其插头。** 使电线远离热源、油、锐边或运动部件。受损或缠绕的软线会增加电击危险。
- ▶ **当在户外使用电动工具时，使用适合户外使用的外接软线。** 适合户外使用的软线将减少电击危险。
- ▶ **如果在潮湿环境下操作电动工具是不可避免的，应使用剩余电流动作保护器（RCD）。** 使用RCD可减小电击危险。

人身安全

- ▶ **保持警觉，当操作电动工具时关注所从事的操作并保持清醒。** 当你感到疲倦，或在有药物、酒精

或治疗反应时，不要操作电动工具。在操作电动工具时瞬间的疏忽会导致严重人身伤害。

- ▶ **使用个人防护装置。始终佩戴护目镜。** 安全装置，诸如适当条件下使用防尘面具、防滑安全鞋、安全帽、听力防护等装置能减少人身伤害。
- ▶ **防止意外起动。确保开关在连接电源和/或电池盒、拿起或搬运工具时处于关断位置。** 手指放在已接通电源的开关上或开关处于接通时插入插头可能会导致危险。
- ▶ **在电动工具接通之前，拿掉所有调节钥匙或扳手。** 遗留在电动工具旋转零件上的扳手或钥匙会导致人身伤害。
- ▶ **手不要伸展得太长。时刻注意立足点和身体平衡。** 这样在意外情况下能很好地控制电动工具。
- ▶ **着装适当。不要穿宽松衣服或佩戴饰品。让衣服、手套和头发远离运动部件。** 宽松衣服、佩饰或长发可能会卷入运动部件中。
- ▶ **如果提供了与排屑、集尘设备连接用的装置，要确保他们连接完好且使用得当。** 使用这些装置可减少尘屑引起的危险。
- ▶ **即使由于经常使用电动工具而对此非常熟悉，也不要就认为可以高枕无忧而忽略工具的安全规定。** 粗心大意的行为可能在瞬间就造成严重的伤害。

电动工具使用和注意事项 电动工具使用和注意事项

- ▶ **不要滥用电动工具，根据用途使用适当的电动工具。** 选用适当设计的电动工具会使你工作更有效、更安全。
- ▶ **如果开关不能接通或关断工具电源，则不能使用该电动工具。** 如果开关不能接通或关断工具电源，则不能使用该电动工具。
- ▶ **在进行任何调节、更换附件或贮存电动工具之前，必须从电源上拔掉插头和/或使电池盒与工具脱开。** 这种防护性措施将减少工具意外起动的危险。
- ▶ **将闲置不用的电动工具贮存在儿童所及范围之外，并且不要让不熟悉电动工具或对这些说明不了解的人操作电动工具。** 电动工具在未经培训的用户手中是危险的。
- ▶ **保养电动工具。检查运动件是否调整到位或卡住，检查零件破损情况和影响电动工具运行的其他状况。** 如有损坏，电动工具应在使用前修理好。许多事故由维护不良的电动工具引发。
- ▶ **保持切削刀具锋利和清洁。** 保持良好的有锋利切削刃的刀具不易卡住而且容易控制。
- ▶ **按照使用说明书，考虑作业条件和进行的作业来使用电动工具、附件和工具的刀头等。** 将电动工具用于那些与其用途不符的操作可能会导致危险。
- ▶ **保持手柄和握持表面干燥、清洁、无油污。** 在突发情况下，滑溜的手柄和握持表面无法确保安全地握持和控制工具。

维修

- ▶ **将你的电动工具送交专业维修人员，使用同样的备件进行修理。** 这样将确保所维修的电动工具的安全性。

修边机安全规章

- ▶ **要握住电动工具的绝缘握持面，因为铣刀可能会碰到自带的电源线。** 切割“带电”导线，可能会使电动工具外露的金属部件“带电”，并使操作员触电。
- ▶ **使用夹箍或其他实用方式将加工件固定和支承到一个稳定的平台上。** 用手握住或用身体顶住加工件会导致不稳定，从而引起失控。
- ▶ **铣刀的允许转速必须至少等于电动工具上标出的最高转速。** 如果铣刀转速比允许的转速更快，铣刀可能会折断和飞出。
- ▶ **铣刀或其他附件必须与您的电动工具的夹头（夹钳）精准配合。** 如果切削附件未与电动工具的夹头精准配合，切削附件会旋转不均匀、剧烈震动并可能导致失控。
- ▶ **先开动电动工具后再把工具放置在工件上切割。** 如果电动工具被夹在工件中，会有反弹的危险。
- ▶ **铣割时，铣刀不可以接触金属、钉子或螺丝。** 如此会损坏铣刀，而且会造成强烈震动。
- ▶ **使用合适的侦测装置侦察隐藏的电线，或者向当地的相关单位寻求支援。** 接触电线可能引起火灾并让操作者触电。损坏了瓦斯管会引起爆炸。凿穿水管不仅会造成严重的财物损失，也可能导致触电。
- ▶ **不得使用已经变钝或受损的铣刀。** 变钝或受损的铣刀导致摩擦力增大，可能会卡住或失去平衡。
- ▶ **等待电动工具完全静止后才能放下机器。** 机器上的工具可能在工作中被夹住，而令您无法控制电动工具。

产品和性能说明



请阅读所有安全规章和指示。不遵照以下警告和说明可能导致电击、着火和/或严重伤害。

请注意本使用说明书开头部分的图示。

按照规定使用

本电动工具适合在木材、塑料和轻型建筑材料上进行修边、铣槽、雕刻、铣长孔以及仿形雕刻的工作。操作时机器必须紧贴在工作表面。

插图上的机件

机件的编号和电动工具详解图上的编号一致。

- (1) 传动单元
- (2) 铣笼
- (3) 碳刷支撑
- (4) 铣刀导向螺母
- (5) 导屑器
- (6) 铣刀^{A)}
- (7) 带夹钳的锁紧螺母
- (8) 滑板
- (9) 底板
- (10) 铣笼翼形螺栓

- (11) 电源开关
- (12) 铣深刻度尺
- (13) 夹钳
- (14) 工具夹头
- (15) 开口扳手 (10 mm)^{A)}
- (16) 开口扳手 (17 mm)^{A)}
- (17) 仿形套^{A)}
- (18) 平行限制器^{A)}
- (19) 平行限制器翼形螺栓^{A)}
- (20) 导向辅助件^{A)}
- (21) 用于固定水平对齐装置的翼形螺栓^{A)}
- (22) 用于水平对齐导向辅助件的翼形螺栓^{A)}
- (23) 滑轮^{A)}
- (24) 手柄 (绝缘握柄)

A) 图表或说明上提到的附件，并不包含在基本的供货范围内。本公司的附件清单中有完整的附件供应项目。

技术数据

修边机		GKF 550
物品代码		3 601 FA0 0..
额定输入功率	瓦	550
无负载转速	转/分钟	33 000
工具夹头	毫米 英寸	6 ¼
重量符合 EPTA-Procedure 01:2014	公斤	1.4
保护等级		□/II

所有参数适用于230伏的额定电压[U]，对于其他不同的电压和国际规格，数据有可能不同。

安装

- ▶ 在电动工具上进行所有操作之前都必须从插座上拔出电源插头。

更换工具

- ▶ 安装和更换铣刀时，最好戴上防护手套。

您可以向您的专业经销商，购买Bosch附件系列中的各式各样博世原厂铣刀。

拆卸铣笼 (参见插图A)

装入铣刀前，必须先将铣笼(2)从传动单元(1)上断开。

打开铣笼(2)上的蝶翼螺丝(10)。

向上抽出传动单元。

更换夹钳 (参见插图B)

视所使用的铣刀而定，装入铣刀前必须用夹钳(7)更换锁紧螺母。

如果铣刀匹配的夹钳已经安装好，请遵循以下段落中的工作步骤。

夹钳(13)必须在锁紧螺母中留有一定的间隙。锁紧螺母(7)必须易于安装。如果锁紧螺母或夹钳损坏，必须马上更换。

将开口扳手(15)放到工具夹头(14)上 (参见插图C1)。

用开口扳手(16)逆时针拧下锁紧螺母(7)。

必要时得在安装之前，使用软毛刷子或压缩空气清洁所有的安装部件。

将新锁紧螺母装到工具夹头(14)上。

拧转锁紧螺母，但勿拧紧。

- ▶ 只要还未安装铣刀，就绝不可张紧夹钳和锁紧螺母。否则会损坏夹钳。

装入铣刀 (参见插图C1 - C2)

根据各种用途，本公司提供了不同品质和款式的铣刀。

由高性能高速钢制成 (HSS) 的铣刀适合加工柔性材料，比如软木和塑料。

由硬质合金 (HM) 制成的铣刀适合加工硬而耐磨的材料，比如硬木和铝。

您可以向您的专业经销商，购买博世附件系列中的各式各样博世原厂铣刀。

只能安装完好且干净的铣刀。

安装铣笼 (参见插图A)

铣削时必须将铣笼(2)再次安装到传动单元(1)上。

打开铣笼(2)上的蝶翼螺丝(10)。

将传动单元(1)推入铣笼(2)。

关闭铣笼(2)上的蝶翼螺丝(10)。

- ▶ 安装完毕后务必检查传动单元是否牢牢地装在铣笼中。

吸锯尘/吸锯屑

含铅的颜料以及某些木材、矿物和金属的加工废尘有害健康。机器操作者或者工地附近的人如果接触、吸入这些废尘，可能会有过敏反应或者感染呼吸道疾病。

某些尘埃 (例如加工橡木或山毛榉的废尘) 可能致癌，特别是和处理木材的添加剂 (例如木材的防腐剂等) 结合之后。只有经过专业训练的人才能够加工含石棉的物料。

- 工作场所要保持空气流通。

- 最好佩戴P2滤网等级的口罩。

请留心并遵守贵国和加工物料有关的法规。

- ▶ 避免让工作场所堆积过多的尘垢。尘埃容易被点燃。

运行

- ▶ 注意电源电压！电源的电压必须和电动工具铭牌上标示的电压一致。标记为230伏电动工具用220伏的电压可以驱动。

调整铣深

- ▶ 仅允许在电动工具关闭时调整铣深。

遵循以下的步骤初步调整铣深：

- 把已经装好铣刀的电动工具放在工件上。
- 打开铣笼(2)上的翼形螺栓(10)。
- 根据铣深刻度尺(12)，将传动单元(1)移到所需的深度。
- 关闭铣笼(2)上的翼形螺栓(10)。
- 先实际操作以便检查设定是否正确，必要的话得修改设定。

投入使用

启动/关闭

将电源开关(11)调到I来接通电动工具。

将电源开关(11)调到0来关闭电动工具。

工作提示

- ▶ 保护铣刀免受冲撞和敲击。
- ▶ 在电动工具上进行所有操作之前都必须从插座上拔出电源插头。

铣削方向和铣削过程 (参见插图D)

- ▶ 必须始终沿铣刀(6)的反方向铣削 (逆向运行)。顺着铣刀的转向 (同向运作) 铣削电动工具可能从您的手上被扯开。

- ▶ 请仅使用安装有铣笼 (2) 的电动工具。如果无法控制电动工具会造成意外伤害。

提示： 请注意，铣刀(6)始终从底座(9)中突出。不可以损坏模板或工件。

设定所需铣深。

开动电动工具并将它靠在待加工的位置上。

铣割完毕后要关闭电动工具。

- ▶ 在铣刀完全静止前，不要放下电动工具。如果工具仍继续转动，可能造成伤害。

用仿形套铣削 (参见插图E1 - E3)

借助仿形套(17)可将样板或模板的轮廓复制到工件上。

根据模具或模板的厚度选择合适的复制套筒。由于仿形套高度突出，模板的最小厚度必须有8 mm (参见插图E1)。

- ▶ 铣刀的直径必须小于仿形套的内直径。

将四个圆柱头螺栓从滑板(8)底面旋出并取下滑板。

将仿形套(17)装入滑板 (参见插图E2)。

将滑板再次松散地拧到底座(9)上。滑板必须能够自由转动。

为了确保铣刀中心点到仿形衬套边缘的距离一致，必要时应适度调整，让铣刀位在仿形套的中央。

- 移动滑板让铣刀和仿形套位在滑板开口的正中央 (参见插图E3)。
- 让滑板保持在调整好的位置，并拧紧固定螺栓。

用仿形套(17)铣削时请执行以下操作步骤：

- 将电动工具及仿形套(17)放到模板上。
- 沿这模板推进装了仿形套的电动工具。

边缘铣削或形状铣削 (参见插图F)

进行修边或雕刻时如果不使用平行挡块，则必须在铣刀上装配导向榫头或滚珠轴承。

把已经开动的电动工具慢慢地移近工件的边缘，至铣刀上的导向榫头或滚珠轴承接触了工件的边缘为止。

接著沿著工件的边缘推动电动工具，电动工具和工件表面的角度要保持直角，不可倾斜。用力过猛可能会损坏工件的边缘。

用平行限制器铣削 (参见插图G)

可安装一个平行限制器 (18) 以便与边缘平行地切割。

借助滚花螺栓(4)将平行限制器(18)固定到铣笼(2)上。

通过平行限制器上的翼形螺栓(19)调节到所需的限位深度。

用力均匀地向前推进已经开动的电动工具。必须紧靠着平行限制器，并沿着工件边缘推动电动工具。

用导向辅助件铣削 (参见插图H)

导向辅助件(20)用于使用不带导向榫头或滚珠轴承的铁机铣削边缘的情况。

借助螺母(4)将导向辅助件固定到铣笼(2)上。

沿著工件边缘施力均匀地推进电动工具。

横向间距： 可借助导向辅助件(20)调整工件和滑轮(23)之间的横向间距来更改材料去除量。

松开蝶翼螺丝(21)，通过转动蝶翼螺丝(22)来调节所需的横向距离并再次拧紧蝶翼螺丝 (21)。

高度： 视所使用的铣刀和待加工工件的厚度而定，垂直调整导向辅助件。

松开导向辅助件上的螺母(4)，将导向辅助件推到所需的位置，然后重新拧紧螺栓。

维修和服务

维护和清洁

- ▶ 在电动工具上进行所有操作之前都必须从插座上拔出电源插头。
- ▶ 电动工具和通气孔必须随时保持清洁，以确保工作效率和工作安全。

如果必须更换连接线，务必把这项工作交给Bosch或者经授权的Bosch电动工具顾客服务执行，以避免危害机器的安全性能。

客户服务和应用咨询

本公司顾客服务处负责回答有关本公司产品的修理、维护和备件的问题。备件的展开图纸和信息也可查看：www.bosch-pt.com
博世应用咨询团队乐于就我们的产品及其附件问题提供帮助。

询问和订购备件时，务必提供机器铭牌上标示的10位数物品代码。

香港和澳门特别行政区

罗伯特博世有限公司
香港北角英皇道625号，21楼

客户服务热线: +852 2101 0235
 传真: +852 2590 9762
 电子邮件: info@hk.bosch.com
 www.bosch-pt.com.hk

中国大陆

博世电动工具(中国)有限公司
 中国 浙江省 杭州市
 滨江区 滨康路567号
 102/1F 服务中心
 邮政编码: 310052
 电话: (0571)8887 5566 / 5588
 传真: (0571)8887 6688 x 5566# / 5588#
 电邮: bsc.hz@cn.bosch.com
 www.bosch-pt.com.cn

制造商地址:

Robert Bosch Power Tools GmbH
 罗伯特·博世电动工具有限公司
 70538 Stuttgart / GERMANY
 70538 斯图加特 / 德国

处理废弃物

必须以符合环保要求的方式回收再利用电动工具、附件和包装材料。



请勿将电动工具扔到生活垃圾中!

产品中有害物质的名称及含量

部件名称	有害物质					
	铅 (Pb)	汞 (Hg)	镉 (Cd)	六价铬 (Cr ⁺⁶)	多溴联苯 (PBB)	多溴二苯醚 (PBDE)
外壳的金属部分	○	○	○	○	○	○
外壳的非金属部分	○	○	○	○	○	○
机械传动机构	X	○	○	○	○	○
电机组件	X	○	○	○	○	○
控制组件	X	○	○	○	○	○
附件	○	○	○	○	○	○
配件	○	○	○	○	○	○
连接件	X	○	○	○	○	○
电源线* ①	○	○	○	○	○	○
电池系统* ②	X	○	○	○	○	○

本表格依据SJ/T11364 的规定编制。

○: 表示该有害物质在该部件所有均质材料中的含量均在GB/T 26572 规定的限量要求以下。

X: 表示该有害物质至少在该部件的某一均质材料中的含量超出GB/T 26572 规定的限量要求。且目前业界没有成熟的替代方案, 符合欧盟RoHS 指令环保要求。

① 适用于采用电源线连接供电的产品。

② 适用于采用充电电池供电的产品。

产品环保使用期限内的使用条件参见产品说明书。

繁體中文

安全注意事項

電動工具一般安全注意事項

警告 請詳讀工作臺及電動工具的所
 有安全警告與使用說明。若不
 遵照以下列出的指示, 將可能導致電擊、著火和/
 或人員重傷。

保存所有警告和說明書以備查閱。

在所有警告中, 「電動工具」此一名詞泛指: 以市電驅動的(有線)電動工具或是以電池驅動的(無線)電動工具。

工作場地的安全

- ▶ 保持工作場地清潔和明亮。混亂和黑暗的場地會引發事故。
- ▶ 不要在易爆環境, 如有易燃液體、氣體或粉塵的環境下操作電動工具。電動工具產生的火花會點燃粉塵或氣體。

- ▶ 讓兒童和旁觀者離開後操作電動工具。注意力不集中會使您失去對工具的控制。

電氣安全

- ▶ 電動工具插頭必須與插座相配。絕不能以任何方式改裝插頭。需接地的電動工具不能使用任何轉換插頭。未經改裝的插頭和相配的插座將減少電擊危險。
- ▶ 避免人體接觸接地表面，如管道、散熱片和冰箱。如果您身體接地會增加電擊危險。
- ▶ 不得將電動工具暴露在雨中或潮濕環境中。水進入電動工具將增加電擊危險。
- ▶ 不得濫用電線。絕不能用電線搬運、拉動電動工具或拔出其插頭。使電線遠離熱源、油、銳利邊緣或移動零件。受損或纏繞的軟線會增加電擊危險。
- ▶ 當在戶外使用電動工具時，使用適合戶外使用的延長線。適合戶外使用的軟線，將減少電擊危險。
- ▶ 如果在潮濕環境下操作電動工具是不可避免的，應使用剩餘電流動作保護器（RCD）。使用RCD可降低電擊危險。

人身安全

- ▶ 保持警覺，當操作電動工具時關注所從事的操作並保持清醒。當您感到疲倦，或在有藥物、酒精或治療反應時，不要操作電動工具。在操作電動工具時瞬間的疏忽會導致嚴重人身傷害。
- ▶ 使用個人防護裝置。始終佩戴護目鏡。安全裝置，諸如適當條件下使用防塵面具、防滑安全鞋、安全帽、聽力防護等裝置能減少人身傷害。
- ▶ 防止意外起動。確保開關在連接電源和/或電池盒、拿起或搬運工具時處於關閉位置。手指放在已接通電源的開關上或開關處於接通時插入插頭可能會導致危險。
- ▶ 在電動工具接通之前，拿掉所有調節鑰匙或扳手。遺留在電動工具旋轉零件上的扳手或鑰匙會導致人身傷害。
- ▶ 手不要伸展得太長。時刻注意立足點和身體平衡。這樣在意外情況下能很好地控制電動工具。
- ▶ 著裝適當。不要穿寬鬆衣服或佩戴飾品。讓您的衣物及頭髮遠離運動部件。寬鬆衣服、佩飾或長髮可能會捲入運動部件中。
- ▶ 如果提供了與排屑、集塵設備連接用的裝置，要確保他們連接完好且使用得當。使用這些裝置可減少塵屑引起的危險。
- ▶ 切勿因經常使用工具所累積的熟練感而過度自信，輕忽工具的安全守則。任何一個魯莽的舉動都可能瞬間造成人員重傷。

電動工具使用和注意事項

- ▶ 不要濫用電動工具，根據用途使用適當的電動工具。選用適當設計的電動工具會使您工作更有效、更安全。
- ▶ 如果開關不能開啟或關閉工具電源，則不能使用該電動工具。不能用開關來控制的電動工具是危險的且必須進行修理。

- ▶ 在進行任何調整、更換配件或貯存電動工具之前，必須從電源上拔掉插頭並/或取出電池盒。這種防護性措施將減少工具意外起動的危險。
- ▶ 將閒置不用的電動工具貯存在兒童所及範圍之外，並且不要讓不熟悉電動工具或對這些說明不瞭解的人操作電動工具。電動工具在未經培訓的用戶手中是危險的。
- ▶ 保養電動工具與配備。檢查運動件是否調整到位或卡住，檢查零件破損情況和影響電動工具運行的其他狀況。如有損壞，電動工具應在使用前修理好。許多事故由維護不良的電動工具引發。
- ▶ 保持切削刀具鋒利和清潔。保養良好的有鋒利切削刃的刀具不易卡住而且容易控制。
- ▶ 按照使用說明書，考慮作業條件和進行的作業來使用電動工具、配件和工具的刀頭等。將電動工具用於那些與其用途不符的操作可能會導致危險。
- ▶ 把手及握持區應保持乾燥、潔淨，且不得沾染任何油液或油脂。易滑脫的把手及握持區將無法讓您在發生意外狀況時安全地抓緊並控制工具。

檢修

- ▶ 將您的電動工具送交專業維修人員，必須使用同樣的備件進行更換。這樣將確保所維修的電動工具的安全性。

修邊機安全注意事項

- ▶ 因為切刀可能會接觸到本身的電線，務必利用絕緣握持表面拿持電動工具。切割「導電」電線可能導致電動工具外露的金屬部件「導電」，進而使操作人員遭受電擊。
- ▶ 請用夾具或其他可行方式將工件穩固地架在可靠平台上。用手握持機器或將它貼靠在身上，將無法確實固定其位置而致使失控。
- ▶ 修邊刀的額定速度必須至少等於電動工具上標示的最高轉速。修邊刀以比其額定速度大的速度運轉，可能發生爆裂和飛濺。
- ▶ 銑刀或其他配件必須精準吻合電動工具的刀具承座（夾頭）。如果嵌件工具與電動工具的刀具承座之間有餘隙，不僅嵌件工具無法均勻旋轉，轉動時甚至會強烈震動，進而造成機器失控。
- ▶ 先啟動電動工具後再把工具放置在工件上切割。如果電動工具被夾在工件中，會有反彈的危險。
- ▶ 切勿在金屬物體、釘子或螺釘上方進行銑削。這麼做會造成銑刀損壞，同時也會造成強烈震動。
- ▶ 使用合適的偵測裝置偵察隱藏的電線，或者向當地的相關單位尋求支援。接觸電線可能引起火災並讓操作者觸電。若損壞瓦斯管會引起爆炸。鑿穿水管不僅會造成嚴重的財物損失，也可能導致觸電。
- ▶ 切勿使用已變鈍或已受損的銑刀。變鈍和損壞的銑刀不僅磨擦大，而且容易被夾住和失去平衡。
- ▶ 必須等待電動工具完全靜止後才能將它放下。嵌件工具可能卡住而使電動工具失控。

產品和功率描述



請詳讀所有安全注意事項和指示。如未遵守安全注意事項與指示，可能導致火災、人員遭受電擊及/或重傷。

請留意操作說明書中最前面的圖示。

依規定使用機器

本電動工具適合在木材、塑膠和輕質建材上進行修邊、銑槽、雕刻、銑長孔以及仿形雕刻的工作。操作時機器必須緊貼在工作表面。

插圖上的機件

機件的編號和電動工具詳解圖上的編號一致。

- (1) 驅動單元
- (2) 修邊座
- (3) 碳刷固定座
- (4) 銑刀導件螺母
- (5) 導屑器
- (6) 銑刀^{A)}
- (7) 帶有彈式夾環的鎖緊螺母
- (8) 滑板
- (9) 底座
- (10) 修邊座的蝶翼螺栓
- (11) 起停開關
- (12) 銑深刻度尺
- (13) 彈式夾環
- (14) 工具夾座
- (15) 開口扳手 (10 mm)^{A)}
- (16) 開口扳手 (17 mm)^{A)}
- (17) 仿形襯套^{A)}
- (18) 平行擋塊^{A)}
- (19) 平行擋塊的蝶翼螺栓^{A)}
- (20) 導向輔助件^{A)}
- (21) 用以保持水平定位的蝶翼螺栓^{A)}
- (22) 用以保持導向輔助件水平定位的蝶翼螺栓^{A)}
- (23) 滑輪^{A)}
- (24) 把手 (絕緣握柄)

A) 圖表或說明上提到的配件，並不包含在基本的供貨範圍中。本公司的配件清單中有完整的配件供應項目。

技術性數據

修边机	GKF 550	
產品機號		3 601 FA0 0..
額定輸入功率	W	550
無負載轉速	次 / 分	33 000
工具夾座	公釐 英吋	6 ¼
重量符合 EPTA-Procedure 01:2014	kg	1.4

修边机

GKF 550

絕緣等級



本說明書提供的參數是以 230 伏特為依據，於低電壓地區，此數據有可能不同。

安裝

▶ 維修電動工具或換裝零、配件之前，務必從插座上拔出插頭。

更換工具

▶ 安裝和更換銑刀時，最好戴上防護手套。

您可以向您的專業經銷商，購買 **Bosch** 配件系列中各式各樣的原廠銑刀。

拆卸銑籠 (請參考圖 A)

您必須先將修邊座 (2) 從驅動單元 (1) 上拆掉，這樣才能安裝銑刀。

鬆開銑籠 (2) 上的蝶形螺絲 (10)。

將驅動單元往上拔出。

更換彈式夾環 (請參考圖 B)

您必須依照所使用的銑刀，於裝上銑刀之前，更換帶有彈式夾環 (7) 的鎖緊螺母。

銑刀裝好正確的彈式夾環之後，請遵循後續內容採取相關工作步驟。

固定在鎖緊螺母中的彈式夾環 (13) 必須留有一些間隙。鎖緊螺母 (7) 必須能輕鬆裝上。鎖緊螺母或彈式夾環若有受損，必須馬上更換。

將開口扳手 (15) 抵在工具夾座 (14) 上 (請參考圖 C1)。

用開口扳手 (16) 沿逆時針方向旋開鎖緊螺母 (7)。

必要時在安裝前，用軟毛刷子或壓縮空氣清潔所有的安裝部件。

請將新的鎖緊螺母裝到工具夾座 (14) 上。

將鎖緊螺母旋上，但勿鎖緊。

▶ 只要尚未裝上銑刀，就絕對不可透過鎖緊螺母將夾頭鎖緊。否則會造成夾頭損壞。

裝上銑刀 (請參考圖 C1 - C2)

根據各種用途，本公司提供了不同品質和款式的銑刀。

高效能快速切削鋼材質的銑刀 (HSS) 適合用來加工軟性材料，例如軟木和塑膠。

採用硬金屬刀頭的銑刀 (HM) 尤其適合用於具磨蝕特性的堅硬材料，例如硬木和鋁合金。

您可以向您的專業經銷商，購買博世配件系列中的各式各樣博世原廠銑刀。

只能安裝完好且乾淨的銑刀。

安裝銑籠 (請參考圖 A)

您必須將銑籠 (2) 重新安裝到驅動單元 (1) 上，才能進行銑削。

鬆開銑籠 (2) 上的蝶形螺絲 (10)。

將驅動單元 (1) 推入至銑籠 (2) 裡。

鎖緊銑籠 (2) 上的蝶形螺絲 (10)。

- ▶ **安裝完畢後務必檢查驅動單元是否牢牢地裝在銑籠中。**

吸鋸塵／吸鋸屑

含鉛的顏料及部分木材、礦物和金屬的加工廢塵有害健康。機器操作者或者工地附近的人如果接觸、吸入這些廢塵，可能會有過敏反應或者感染呼吸道疾病。

特定粉塵（例如加工橡木或山毛櫸的廢塵）可能致癌，特別是與處理木材的添加劑（例如木材的防腐劑等）混合之後。只有經過專業訓練的人才允許加工含石棉的物料。

- 工作場所要保持空氣流通。
 - 建議佩戴 P2 濾網等級的口罩。
- 請留意並遵守貴國與加工物料有關的法規。
- ▶ **避免讓工作場所堆積過多的塵垢。塵埃容易被點燃。**

操作

- ▶ **請注意電源電壓！電源的電壓必須和電動工具銘牌上標示的電壓一致。標示為 230 V 的電動工具亦可接上 220 V 電源。**

調整銑深

- ▶ **電動工具必須關閉電源，才能進行銑深調整。**

遵循以下的步驟，初步調整銑深：

- 把已裝上銑刀的電動工具放到工件上。
- 鬆開修邊座 (2) 上的蝶翼螺絲 (10)。
- 利用銑深刻度尺 (12)，將驅動單元 (1) 調移至所需深度。
- 鎖緊修邊座 (2) 上的蝶翼螺絲 (10)。
- 先實際操作以便檢查設定是否正確，必要時請修正設定。

操作機器

啟動／關閉

若要開啟電動工具電源，請將起停開關 (11) 移至 I。

若要關閉電動工具電源，請將起停開關 (11) 移至 0。

作業注意事項

- ▶ **保護銑刀免受沖撞和敲擊。**
- ▶ **維修電動工具或換裝零、配件之前，務必從插座上拔出插頭。**

銑削方向和銑削操作（請參考圖 D）

- ▶ **進行銑削時必須始終與銑刀運轉方向 (6) 保持相反（反向運作）。**若是順著銑刀的運轉方向（同向運作）銑削，電動工具可能從您的手上被扯開。
- ▶ **必須裝上銑籠 (2)，才可使用電動工具。**電動工具若是失控，可能導致人員受傷。

提示：請您留意，銑刀 (6) 必須始終突出到底座 (9) 之外。不可損壞模板或工件。

請視需要調整銑削深度。

開啟電動工具電源並將它靠在欲進行加工的位置上。

完成銑削後請關閉電動工具。

- ▶ **工具未完全靜止時，切勿將電動工具放下。**如果工具仍繼續轉動，可能造成人員受傷。

使用仿形襯套進行銑削（請參考圖 E1 – E3）

借助仿形襯套 (17) 即可將樣板輪廓或模版移植到工件上。

請根據模版或樣板的厚度，選用合適的仿形襯套。由於會因仿形襯套突出而多出一段高度，因此模版的厚度必須至少達 8 公釐（請參考圖 E1）。

- ▶ **銑刀直徑必須小於仿形襯套的內直徑。**

請卸下滑板 (8) 底部上的四顆圓柱頭螺絲，然後取下滑板。

將仿形襯套 (17) 裝到滑板內（請參考圖 E2）。

將滑板重新裝回至底座 (9) 上，但不要完全鎖死。滑板必須能夠自由活動。

為了確保銑刀中心點到仿形襯套邊緣的距離一致，必要時得適度調整，讓銑刀位在仿形襯套和滑板的中央。

- 校正滑板的位置，讓銑刀和仿形襯套位在滑板開口的正中央（請參考圖 E3）。
- 讓滑板保持在調整好的位置，並旋緊固定螺絲。

若要使用仿形襯套 (17) 進行銑削，執行步驟如下：

- 將已裝好仿形襯套 (17) 的電動工具靠在模版上。
- 往側邊施壓，讓已裝上仿形襯套的電動工具沿著模版推進。

修邊銑削或雕刻銑削（請參考圖 F）

進行修邊或雕刻時如果不使用平行擋塊，則銑刀上必須有導向桿頭或滾珠軸承。

將已啟動的電動工具慢慢地移近工件的邊緣，直到銑刀上的導向桿頭或滾珠軸承觸及工件邊緣為止。然後沿著工件的邊緣推動電動工具。電動工具和工件表面之間要保持直角，不可傾斜。推進機器時如果用力過猛可能造成工件邊緣損壞。

使用平行擋塊進行銑削（請參考圖 G）

進行平行修邊切削時，可裝上平行擋塊 (18)。

利用滾花螺絲 (4) 將平行擋塊 (18) 固定在修邊座 (2) 上。

請利用平行擋塊上的蝶翼螺絲 (19) 將擋塊調整至所需深度。

將已啟動的電動工具用力均勻地向前推進。必須緊靠著平行擋塊，並沿著工件邊緣移動電動工具。

使用導向輔助件進行銑削（請參考圖 H）

導向輔助件 (20) 可讓您使用無導向桿頭或滾珠軸承的銑刀進行修邊銑削。

利用螺母 (4) 將導向輔助件固定至銑籠 (2) 上。

將電動工具沿著工件邊緣施力均勻地推進。

橫向間距：若要更改材料切除量，您可調整導向輔助件 (20) 上工件與滑輪 (23) 之間的橫向間距。

鬆開蝶形螺絲 (21)，藉由旋轉蝶形螺絲 (22) 調整至所需的橫向間距，接著再將蝶形螺絲 (21) 重新旋緊。

高度：請根據您所使用的銑刀以及待加工工件的厚度，調整導向輔助件的垂直定位。

鬆開導向輔助件上的螺母 (4)，將導向輔助件推挪至所需位置，然後再將螺栓重新旋緊。

維修和服務

維修和清潔

- ▶ 維修電動工具或換裝零、配件之前，務必從插座上拔出插頭。
- ▶ 電動工具和通風口都必須保持清潔，這樣才能夠提高工作品質和安全性。

如果必須更換連接線，請務必交由 **Bosch** 或者經授權的 **Bosch** 電動工具顧客服務執行，以避免危害機器的安全性能。

顧客服務處和顧客諮詢中心

本公司顧客服務處負責回答有關本公司產品的維修、維護和備用零件的問題。以下的網頁中有分解圖和備用零件相關資料：www.bosch-pt.com

如果對本公司產品及其配件有任何疑問，博世應用諮詢小組很樂意為您提供協助。

當您需要諮詢或訂購備用零件時，請務必提供本產品型號銘牌上 10 位數的產品機號。

中國香港和澳門特別行政區

羅伯特·博世有限公司
香港北角英皇道625號21樓
客戶服務熱線：+852 2101 0235
傳真：+852 2590 9762
電子郵件：info@hk.bosch.com
www.bosch-pt.com.hk

台灣

台灣羅伯特博世股份有限公司
建國北路一段90號6樓
台北市10491
電話：(02) 7734 2588
傳真：(02) 2516 1176
www.bosch-pt.com.tw

制造商地址：

Robert Bosch Power Tools GmbH
羅伯特·博世電動工具有限公司
70538 Stuttgart / GERMANY
70538 斯圖加特/ 德國

廢棄物處理

必須以符合環保的方式，回收再利用損壞的機器、配件和廢棄的包裝材料。



不可以把電動工具丟入一般的家庭垃圾中。

設備名稱：銑邊，型號：GKF 550

限用物質及其符號

單元	鉛 (Pb)	汞 (Hg)	鎘 (Cd)	六價鉻 (Cr ⁺⁶)	多溴聯苯 (PBB)	多溴二苯醚 (PBDE)
開關	○	○	○	○	○	○
電容器	○	○	○	○	○	○
馬達	○	○	○	○	○	○
電源線	-	○	○	○	○	○
外殼(塑料)	○	○	○	○	○	○

備考 1. "超出 0.1 wt %" 及 "超出 0.01 wt %" 係指限用物質之百分比含量超出百分比含量基準值。

備考 2. "○" 係指該項限用物質之百分比含量未超出百分比含量基準值。

備考 3. "-" 係指該項限用物質為排除項目。

ไทย

คำเตือนเพื่อความปลอดภัย

คำเตือนเพื่อความปลอดภัยทั่วไปสำหรับเครื่องมือไฟฟ้า

⚠ คำเตือน อ่านคำเตือนเพื่อความปลอดภัย คำแนะนำ ภาพประกอบ และข้อมูล

จำเพาะทั้งหมดที่จัดส่งมาพร้อมกับเครื่องมือไฟฟ้า

การไม่ปฏิบัติตามคำแนะนำทั้งหมดที่ระบุไว้ด้านล่างนี้อาจทำให้ถูกไฟฟ้าดูด เกิดไฟไหม้ และ/หรือได้รับบาดเจ็บอย่างร้ายแรง

เก็บรักษาคำเตือนและคำสั่งทั้งหมดสำหรับเปิดอ่านในภายหลัง

คำว่า "เครื่องมือไฟฟ้า" ในคำเตือนหมายถึง เครื่องมือไฟฟ้าของท่านที่ทำงานด้วยพลังงานไฟฟ้าจากแหล่งจ่ายไฟหลัก (มีสายไฟฟ้า) และเครื่องมือไฟฟ้าที่ทำงานด้วยพลังงานไฟฟ้าจากแบตเตอรี่ (ไร้สาย)

ความปลอดภัยในสถานที่ทำงาน

- ▶ **รักษาสถานที่ทำงานให้สะอาดและมีไฟส่องสว่างดี** สถานที่ที่มีมืดหรือรกรุงรังนำมาซึ่งอุบัติเหตุ
- ▶ **อย่าใช้เครื่องมือไฟฟ้าทำงานในสภาพบรรยากาศที่จุดติดไฟได้ เช่น ในที่มีมีของเหลวไวไฟ ก๊าซ หรือฝุ่น** เมื่อใช้เครื่องมือไฟฟ้าจะเกิดประกายไฟซึ่งอาจจุดฝุ่นหรือไอให้ลุกเป็นไฟได้
- ▶ **ขณะใช้เครื่องมือไฟฟ้าทำงาน ต้องกันเด็กและผู้ยี่นดูให้ออกห่าง** การหันเหความสนใจอาจทำให้ท่านขาดการควบคุมเครื่องมือได้

ความปลอดภัยเกี่ยวกับไฟฟ้า

- ▶ **ปลั๊กของเครื่องมือไฟฟ้าต้องเหมาะสมพอดีกับเต้าเสียบ** อย่าตัดแปลงปลั๊กไม่ว่าในลักษณะใดๆ อย่างเด็ดขาด อย่าใช้ปลั๊กพ่วงต่อใดๆ กับเครื่องมือไฟฟ้าที่มีสายดิน ปลั๊กที่ไม่ตัดแปลงและเต้าเสียบที่เข้ากันช่วยลดความเสี่ยงจากการถูกไฟฟ้าดูด
- ▶ **หลีกเลี่ยงอย่าให้ร่างกายสัมผัสกับพื้นผิวที่ต่อสายดินหรือลงกราวด์ไว้ เช่น ท่อ เครื่องทำความร้อน เตา และตู้เย็น** จะเสี่ยงอันตรายจากการถูกไฟฟ้าดูดมากขึ้นหากกระแสไฟฟ้าวิ่งผ่านร่างกายของท่านลงดิน

- ▶ **อย่าให้เครื่องมือไฟฟ้าถูกฝนหรืออยู่ในสภาพเปียกชื้น** หากน้ำเข้าในเครื่องมือไฟฟ้า จะเพิ่มความเสี่ยงจากการถูกไฟฟ้าดูด
- ▶ **อย่าใช้สายไฟฟ้าในทางที่ผิด** อย่าใช้สายไฟฟ้าเพื่อยก ดึง หรือถอดปลั๊กเครื่องมือไฟฟ้า กั้นสายไฟฟ้าออกจากความร้อน น้ำมัน ขอบแหลมคม หรือชิ้นส่วนที่เคลื่อนที่ สายไฟฟ้าที่ชำรุดหรือพันกันยุ่งเพิ่มความเสี่ยงจากการถูกไฟฟ้าดูด
- ▶ **เมื่อใช้เครื่องมือไฟฟ้าทำงานกลางแจ้ง ให้ใช้สายไฟต่อที่เหมาะสมสำหรับการใช้งานกลางแจ้ง** การใช้สายไฟต่อที่เหมาะสมสำหรับงานกลางแจ้งช่วยลดอันตรายจากการถูกไฟฟ้าดูด
- ▶ **หากไม่สามารถหลีกเลี่ยงการใช้เครื่องมือไฟฟ้าทำงานในสถานที่เปียกชื้นได้ ให้ใช้สวิตช์ตัดวงจรเมื่อเกิดการรั่วไหลของไฟฟ้าจากสายดิน (RCD)** การใช้สวิตช์ตัดวงจรเมื่อเกิดการรั่วไหลของไฟฟ้าจากสายดินช่วยลดความเสี่ยงต่อการถูกไฟฟ้าดูด

ความปลอดภัยของบุคคล

- ▶ **ท่านต้องอยู่ในสภาพเตรียมพร้อม ระมัดระวังในสิ่งที่ท่านกำลังทำอยู่ และมีสติขณะใช้เครื่องมือไฟฟ้าทำงาน** อย่าใช้เครื่องมือไฟฟ้าขณะที่ท่านกำลังเหนื่อย หรืออยู่ภายใต้การครอบงำของฤทธิ์ของยาเสพติด แอลกอฮอล์ และยา เมื่อใช้เครื่องมือไฟฟ้าทำงานในช่วงเวลาที่ท่านขาดความเอาใจใส่อาจทำให้บุคคลบาดเจ็บอย่างรุนแรงได้
- ▶ **ใช้อุปกรณ์ปกป้องร่างกาย สวมแว่นตาป้องกันเสมอ** อุปกรณ์ปกป้อง เช่น หนวดกนกกันฝุ่น รองเท้ากันลื่น หมวกแข็ง หรือประภทกกันเสียงดังที่ใช้ตามความเหมาะสมกับสภาพการทำงาน จะลดการบาดเจ็บทางร่างกาย
- ▶ **ป้องกันการติดเครื่องโดยไม่ตั้งใจ ตรวจสอบให้แน่ใจว่าสวิตช์อยู่ในตำแหน่งปิดก่อนเชื่อมต่อเข้ากับแหล่งจ่ายไฟ และ/หรือแบตเตอรี่แพ็ค ยกหรือถือเครื่องมือการถือเครื่องโดยใช้นิ้วหัวที่สวิตช์ หรือเสียบปลั๊กไฟฟ้าขณะสวิตช์เปิดอยู่ อาจนำไปสู่อุบัติเหตุที่ร้ายแรงได้**
- ▶ **นำเครื่องมือปรับแต่งหรือประแจปากตายออกก่อนเปิดสวิตช์เครื่องมือไฟฟ้า** เครื่องมือหรือประแจปากตายที่วางอยู่กับส่วนของเครื่องที่กำลังหมุนจะทำให้บุคคลบาดเจ็บได้
- ▶ **อย่าเอื้อมไกลเกินไป** ตั้งทำขึ้นที่มั่นคงและวางน้ำหนักให้สมดุลตลอดเวลา ในลักษณะนี้ท่านสามารถควบคุมเครื่องมือไฟฟ้าในสถานการณ์ที่ไม่คาดคิดได้ดีกว่า
- ▶ **แต่งกายอย่างเหมาะสม** อย่าใส่เสื้อผ้าหลวมหรือสวมเครื่องประดับ เหน็บและเสื้อผ้ออกห่างจากชิ้นส่วนที่

เคลื่อนที่ เลื่อนผ้าหวม เครื่องประดับ และผม ยาวอาจเข้าไปติดในชิ้นส่วนที่เคลื่อนที่

- ▶ หากเครื่องมือไฟฟ้ามีข้อเชื่อมต่อกับเครื่องดูดฝุ่นหรือเครื่องเก็บผง ให้ตรวจสอบให้แน่ใจว่าได้เชื่อมต่อและใช้งานอย่างถูกต้อง การใช้อุปกรณ์ดูดฝุ่นช่วยลดอันตรายที่เกิดจากฝุ่นได้
- ▶ เมื่อใช้งานเครื่องมือยंत्रจะเกิดความคุ้นเคย อย่าให้ความคุ้นเคยทำให้ท่านเกิดความชะล่าใจและละเลยกฎเกณฑ์ด้านความปลอดภัยในการใช้งานเครื่อง การทำงานอย่างไม่ระมัดระวังอาจทำให้เกิดการบาดเจ็บอย่างร้ายแรงภายในเสี้ยววินาที

การใช้และการดูแลรักษาเครื่องมือไฟฟ้า

- ▶ อย่างผืนกำลังเครื่องมือไฟฟ้า ใช้เครื่องมือไฟฟ้าที่ถูกต้องตรงตามลักษณะงานของท่าน เครื่องมือไฟฟ้าที่ถูกต้องจะทำงานได้ดีกว่าและปลอดภัยกว่าในระดับสมรรถภาพที่ออกแบบไว้
- ▶ อย่าใช้เครื่องมือไฟฟ้าถ้าสวิตช์ไม่สามารถเปิดปิดได้ เครื่องมือไฟฟ้าที่ไม่สามารถควบคุมการเปิดปิดด้วยสวิตช์ได้ เป็นเครื่องมือไฟฟ้าที่ไม่ปลอดภัยและต้องส่งซ่อมแซม
- ▶ ก่อนปรับแต่งเครื่อง เปลี่ยนอุปกรณ์ประกอบ หรือเก็บเครื่องเข้าที่ ต้องถอดปลั๊กออกจากแหล่งจ่ายไฟ และ/หรือถอดแบตเตอรี่แพ็คเกจออกจากเครื่องมือไฟฟ้าหากถอดออกได้
- ▶ มาตรการป้องกันเพื่อความปลอดภัยนี้ช่วยลดความเสี่ยงจากการติดเครื่องโดยไม่ได้ตั้งใจ
- ▶ เมื่อเลิกใช้งานเครื่องมือไฟฟ้า ให้เก็บเครื่องไว้ในที่ที่เด็กหยิบไม่ถึง และไม่อนุญาตให้บุคคลที่ไม่คุ้นเคยกับเครื่องหรือบุคคลที่ไม่ได้อ่านคำแนะนำเหล่านี้ใช้เครื่องมือไฟฟ้าเป็นของอันตรายหากตกอยู่ในมือของผู้ใช้ที่ไม่ได้รับการฝึกฝน
- ▶ บำรุงรักษาเครื่องมือไฟฟ้าและอุปกรณ์ประกอบ ตรวจสอบชิ้นส่วนที่เคลื่อนที่ว่าวางไม่ตรงแนวหรือติดขัดหรือไม่ ตรวจสอบการแตกหักของชิ้นส่วนและสภาพอื่นใดที่อาจมีผลต่อการทำงานของเครื่องมือไฟฟ้า หากชำรุดต้องส่งเครื่องมือไฟฟ้าไปซ่อมแซมก่อนใช้งาน อุบัติเหตุหลายอย่างเกิดขึ้นเนื่องจากดูแลรักษาเครื่องมือไม่ดีพอ
- ▶ รักษาเครื่องมือตัดให้คมและสะอาด หากบำรุงรักษาเครื่องมือที่มีขอบตัดแหลมคมอย่างถูกต้อง จะสามารถตัดได้ลื่นไม่ติดขัดและควบคุมได้ง่ายกว่า
- ▶ ใช้เครื่องมือไฟฟ้า อุปกรณ์ประกอบ เครื่องมือ และอุปกรณ์อื่น ๆ ตรงตามคำแนะนำเหล่านี้ โดยคำนึงถึงเงื่อนไขการทำงานและงานที่จะทำ การใช้เครื่อง

มือไฟฟ้าทำงานที่ต่างไปจากวัตถุประสงค์การใช้งานของเครื่อง อาจนำไปสู่สถานการณ์ที่เป็นอันตรายได้

- ▶ ดูแลคัมจับและพื้นผิวจับให้แห้ง สะอาด และปราศจากคราบน้ำมันและจาระบี คัมจับและพื้นผิวจับที่ลื่นทำให้หยิบจับได้ไม่ปลอดภัย และไม่สามารถควบคุมเครื่องมือในสถานการณ์ที่ไม่คาดคิด

การบริการ

- ▶ ส่งเครื่องมือไฟฟ้าของท่านเข้ารับบริการจากช่างซ่อมที่มีคุณสมบัติเหมาะสม โดยใช้อะไหล่ที่เหมือนกันเท่านั้น ในลักษณะนี้ท่านจะแน่ใจได้ว่าเครื่องมือไฟฟ้าอยู่ในสภาพที่ปลอดภัย

คำเตือนเพื่อความปลอดภัยสำหรับทริมเมอร์เก็บขอบ

- ▶ จับเครื่องมือไฟฟ้าเฉพาะตรงพื้นผิวจับที่หุ้มฉนวนเท่านั้น เนื่องจากใบตัดอาจสัมผัสสายไฟฟ้าของตัวเครื่องเอง หากตัดสายที่ “มีกระแสไฟฟ้า” ไหลผ่าน จะทำให้ชิ้นส่วนโลหะที่ไม่ได้หุ้มฉนวนของเครื่องมือไฟฟ้าเกิด “มีกระแสไฟฟ้า” ด้วย และส่งผลให้ผู้ใช้งานเครื่องถูกไฟฟ้าดูดได้
- ▶ ใช้เครื่องมือหรือวิธีอื่นที่ปลอดภัยเพื่อยึดและหนุนชิ้นงานกับแท่นที่มั่นคง การใช้มือจับชิ้นงานหรือยืนไว้กับร่างกายจะไม่มั่นคง และอาจทำให้สูญเสียการควบคุม
- ▶ ความเร็วรอบที่อนุญาตของเครื่องมือจะอย่างน้อยที่สุดต้องสูงเท่ากับความเร็วรอบสูงสุดที่ระบุไว้บนเครื่องมือไฟฟ้า เครื่องมือเฉาที่หมุนเร็วกว่าความเร็วรอบกำหนดของตัวเองอาจกระเด็นออกเป็นชิ้นๆ
- ▶ เครื่องมือเฉาหรืออุปกรณ์ประกอบอื่นๆ ต้องประกอบเข้าในคัมจับเครื่องมือ (แหวนรัดก้านเครื่องมือ) ของเครื่องมือไฟฟ้าของท่านได้อย่างพอดี เครื่องมือที่ไม่สามารถใส่เข้าในคัมจับเครื่องมือของเครื่องมือไฟฟ้าได้อย่างพอดี จะหมุนไม่สม่ำเสมอ สั่นตัวมาก และอาจทำให้สูญเสียการควบคุมได้
- ▶ จับเครื่องมือไฟฟ้าเข้าหาชิ้นงานเมื่อเครื่องเปิดสวิตช์อยู่เท่านั้น มิฉะนั้นอาจได้รับอันตรายจากการตีกลับหากเครื่องมือตัดติดขัดอยู่ในชิ้นงาน
- ▶ อย่าเข้านวดตัดที่เป็นโลหะ ตะปู หรือสกรู อย่างเด็ดขาด เครื่องมือเฉาอาจเสียหายและทำให้สั่นตัวมากยิ่งขึ้น
- ▶ ใช้เครื่องตรวจจับที่เหมาะสมเพื่อตรวจหาสายไฟฟ้าหรือท่อสาธารณูปโภคที่อาจซ่อนอยู่ในบริเวณทำงานหรือติดต่อบริษัทสาธารณูปโภคในพื้นที่เพื่อขอความช่วยเหลือ การสัมผัสกับสายไฟฟ้าอาจทำให้เกิดไฟไหม้หรือถูกไฟฟ้าดูด การทำให้ท่อแก๊สเสียหายอาจทำให้เกิดระเบิด การเจาะเข้าไปในท่อทำให้ทรัพย์สินเสียหาย หรืออาจเป็นเหตุให้ถูกไฟฟ้าดูดได้

- ▶ **อย่าใช้เครื่องมือเซาะที่ท่อหรือขารุด** เครื่องมือเซาะที่ท่อหรือขารุดทำให้เกิดแรงเสียดทานมากขึ้น อาจทำให้เกิดการติดขัดและนำไปสู่ความไม่สมดุล
- ▶ **รอให้เครื่องมือไฟฟ้าหยุดสนิทก่อนวางเครื่องลงบนพื้น** เครื่องมือที่ปล่อยอาจติดขัดและทำให้สูญเสียการควบคุมเครื่องมือไฟฟ้า

รายละเอียดผลิตภัณฑ์และข้อมูล

จำเพาะ



อ่านค่าเตือนเพื่อความปลอดภัยและคำแนะนำทั้งหมด การไม่ปฏิบัติตามค่าเตือนและคำสั่งอาจเป็นสาเหตุให้ถูกไฟฟ้าดูด เกิดไฟไหม้ และ/หรือได้รับบาดเจ็บอย่างร้ายแรง

กรุณาดูภาพประกอบในส่วนหน้าของคู่มือการใช้งาน

ประโยชน์การใช้งานของเครื่อง

เครื่องมือไฟฟ้านี้ใช้สำหรับเซาะร่อง ขอบ รูปโครงสร้างและร่องตามยาว และยังใช้สำหรับเซาะคัดลอกในไม้ พลาสติค และวัสดุก่อสร้างน้ำหนักเบา โดยจับเครื่องวางบนชิ้นงานอย่างมั่นคง

ส่วนประกอบผลิตภัณฑ์

ลำดับเลขของส่วนประกอบผลิตภัณฑ์อ้างอิงส่วนประกอบของเครื่องที่แสดงในหน้าภาพประกอบ

- (1) มอเตอร์
- (2) ฐานเซาะ
- (3) ที่ยึดแปร่งถ่าน
- (4) น็อตสำหรับการนำเซาะ
- (5) กระบ้งเบี่ยงเศษโลหะ
- (6) เครื่องมือเซาะ^{A)}
- (7) น็อตยึดพร้อมแหวนรัดก้านเครื่องมือ
- (8) แผ่นนำทาง
- (9) แผ่นฐาน
- (10) น็อตปิกสำหรับฐานเซาะ
- (11) สวิตช์เปิด-ปิด
- (12) มาตรการันสำหรับปรับความลึกการตัด
- (13) แหวนรัดก้านเครื่องมือ
- (14) ด้ามจับเครื่องมือ
- (15) ประแจปากตาย (10 มม.)^{A)}
- (16) ประแจปากตาย (17 มม.)^{A)}

- (17) ปลอกสวมสำหรับดอกแบบ^{A)}
- (18) แผงกำหนดแนวขนาน^{A)}
- (19) น็อตปิกสำหรับแผงกำหนดแนวขนาน^{A)}
- (20) ตัวช่วยนำทาง^{A)}
- (21) น็อตปิกสำหรับล้อคการจัดตำแหน่งแนวขนาน^{A)}
- (22) น็อตปิกสำหรับจัดตำแหน่งแนวขนานของตัวช่วยนำทาง^{A)}
- (23) ลูกกลิ้ง^{A)}
- (24) ด้ามจับ (พื้นผิวจับหุ้มฉนวน)

A) อุปกรณ์ประกอบที่แสดงภาพหรืออธิบายไม่รวมอยู่ในการจัดส่งมาตรฐาน กรุณาดูอุปกรณ์ประกอบทั้งหมดในรายการแสดงอุปกรณ์ประกอบของเรา

ข้อมูลทางเทคนิค

เครื่องเซาะขอบ	GKF 550	
หมายเลขสินค้า		3 601 FA0 0..
กำลังไฟฟ้าที่กักตักด้านเข้า	วัตต์	550
ความเร็วรอบเดินต่อเวลา	รอบ/นาที	33 000
ด้ามจับเครื่องมือ	มม. นิ้ว	6 ¼
น้ำหนักตามระเบียบการ EPTA-Procedure 01:2014	กก.	1.4
ระดับความปลอดภัย		□/ II

ค่าที่ให้ใช้ได้กับแรงดันไฟฟ้าอโนมอล [U] 230 โวลท์ค่าเหล่านี้ อาจเปลี่ยนแปลงไปสำหรับแรงดันไฟฟ้าที่แตกต่างกัน และโมเดลที่ผลิตสำหรับเฉพาะประเทศ

การติดตั้ง

- ▶ **ดึงปลั๊กไฟออกจากเต้าเสียบก่อนปรับแต่งเครื่อง**

การเปลี่ยนเครื่องมือ

- ▶ **ขอ**

แนะนำให้สวมถุงมือป้องกันอันตรายเมื่อใส่หรือเปลี่ยนเครื่องมือเซาะ

หาซื้อเครื่องมือเซาะของแท้จากกายการอุปกรณ์ประกอบของ **Bosch** ที่มีให้เลือกมากมายได้จากร้านขายอุปกรณ์เฉพาะด้าน

การถอดฐานเขາ (รูปภาพประกอบ A)

ต้องถอดฐานเขา (2) ออกจากมอเตอร์ (1) ก่อนใส่เครื่องมือเข่า

เปิดนอตปิก (10) ที่ฐานเข่า (2)

ดึงมอเตอร์ขึ้นด้านบนและนำออกไป

การเปลี่ยนแหวนรัดก้านเครื่องมือ (รูปภาพประกอบ B)

ท่านอาจต้องเปลี่ยนนอตยึดพร้อมแหวนรัดก้านเครื่องมือ (7)

ก่อนใส่เครื่องมือเข่า ทั้งนี้ขึ้นอยู่กับเครื่องมือเข่าที่ใช้

หากมีแหวนรัดก้านเครื่องมือที่ถูกติดตั้งอยู่แล้ว ให้ทำตามขั้นตอนในบทต่อไป

แหวนรัดก้านเครื่องมือ (13) แหวนรัดก้านเครื่องมือ ต้องประกอบนอตยึด (7) ได้อย่างง่ายดาย หากนอตยึดหรือแหวนรัดก้านเครื่องมือชำรุด ให้เปลี่ยนใหม่ทันที

วางประแจปากตาย (15) ที่ตามจับเครื่องมือ (14) (รูปภาพประกอบ C1)

คลายนอตยึด (7) ด้วยประแจปากตาย (16) โดยหมุนในทิศทวนเข็มนาฬิกา

ก่อนประกอบ ให้ทำความสะอาดชิ้นส่วนทั้งหมดที่จะติดตั้งด้วยแปรงขนอ่อนหรือแปรงด้วยลมอัด หากจำเป็น

ใส่นอตยึดตัวใหม่บนตามจับเครื่องมือ (14)

ขันนอตยึดเข้าอย่างหลวมๆ

- ▶ **อย่าขันนอตยึดพร้อมแหวนรัดก้านเครื่องมือเข้าจนแน่น โดยไม่มีเครื่องมือเข่าใส่อยู่** มิฉะนั้นแหวนรัดอาจชำรุดได้

การใส่เครื่องมือเข่า (รูปภาพประกอบ C1 - C2)

เครื่องมือเข่ามีให้เลือกหลายรูปแบบและคุณภาพต่างกัันมากมาย ทั้งนี้ขึ้นอยู่กับวัตถุประสงค์การใช้งาน

เครื่องมือเข่าทำจากเหล็กกล้าความแข็งแรงสูง (HSS)

เหมาะสำหรับเข่าวัสดุอ่อน ด. ย. เช่น ไม้เนื้ออ่อน และพลาสติก

เครื่องมือเข่าเหลี่ยมปลายด้วยคาร์ไบด์ (HM) เหมาะอย่างยิ่งสำหรับเข่าวัสดุแข็งและวัสดุที่กัดกร่อน ด. ย. เช่น ไม้เนื้อแข็ง และอะลูมิเนียม

หาซื้อเครื่องมือเข่าของแท้จากรายการอุปกรณ์ประกอบของบ็อกซ์ ที่มีให้เลือกมากมายได้จากร้านขายอุปกรณ์เฉพาะด้าน ใช้เฉพาะเครื่องมือเข่าที่สะอาดและมีสภาพสมบูรณ์เท่านั้น

การติดตั้งฐานเข่า (รูปภาพประกอบ A)

เมื่อต้องการเข่า ท่านต้องติดตั้งฐานเข่า (2) เข้าบนมอเตอร์ (1) อีกครั้ง

เปิดนอตปิก (10) ที่ฐานเข่า (2)

เลื่อนมอเตอร์ (1) ลงในฐานเข่า (2)

ปิดนอตปิก (10) ที่ฐานเข่า (2)

- ▶ **ทุกครั้งหลังติดตั้ง ให้ตรวจสอบว่ามอเตอร์ได้วางอยู่ในฐานเข่าอย่างแน่นหนาแล้วหรือไม่**

การดูดฝุ่น/ขี้เลื่อย

ฝุ่นที่ได้จากวัสดุ เช่น เคลือบผิวที่มีสารตะกั่ว ไม้ยางประเภทแร้ธาตุ และโลหะ อาจเป็นอันตรายต่อสุขภาพ การสัมผัสหรือการหายใจเอาฝุ่นเข้าไปอาจทำให้เกิดปฏิกิริยาแพ้ฝุ่น และ/หรือนำมาซึ่งโรคติดเชื้อระบบหายใจแก่ผู้ใช้เครื่องมือหรือผู้ที่ยืนอยู่ใกล้เคียง

ฝุ่นยางประเภท เช่น ฝุ่นไม้โอ๊ก หรือไม้บีช นับเป็นสารที่ทำให้เกิดมะเร็ง โดยเฉพาะอย่างยิ่งเมื่อผสมกับสารเติมแต่งเพื่อบำบัดไม้ (โครเมต ผลิตภัณฑ์รักษาเนื้อไม้) สำหรับวัสดุที่มีแอสเบสทอสต้องให้ผู้เชี่ยวชาญทำงานเท่านั้น

- จัดสถานที่ทำงานให้มีการระบายอากาศที่ดี
- ขอแนะนำให้สวมหน้ากากป้องกันการติดเชื้อที่มีระดับ-ใส่กรอง P2

ปฏิบัติตามกฎข้อบังคับสำคัญอื่นๆ ที่เกี่ยวกับวัสดุชิ้นงานที่บังคับใช้ในประเทศของท่าน

- ▶ **ป้องกันการสะสมของฝุ่นในสถานที่ทำงาน**
ฝุ่นสามารถถูกใหม่อย่างง่ายดาย

การปฏิบัติงาน

- ▶ **ให้สังเกตแรงดันไฟฟ้า! แรงดันไฟฟ้าจากแหล่งจ่ายไฟฟ้าต้องมีค่าตรงกับค่าแรงดันไฟฟ้าที่ระบุไว้บนแผ่นป้ายพิกัดเครื่อง เครื่องมือไฟฟ้าที่มีเครื่องหมาย 230 โวลต์ สามารถใช้งานกับ 220 โวลต์ ได้ด้วย**

การปรับความลึกการเข่า

- ▶ **ปรับความลึกการเข่าเฉพาะเมื่อเครื่องมือไฟฟ้าปิดสวิตช์อยู่เท่านั้น**

สำหรับการปรับความลึกการเข่า ให้ปฏิบัติตามดังต่อไปนี้:

- วางเครื่องมือไฟฟ้าที่ใส่เครื่องมือเข่าแล้วลงบนชิ้นงาน
- เปิดนอตปิก (10) ที่ฐานเข่า (2)
- เลื่อนมอเตอร์ (1) ไปยังระดับความลึกที่ต้องการโดยใช้มาตราส่วนสำหรับปรับความลึกการเข่า (12)
- ปิดนอตปิก (10) ที่ฐานเข่า (2)
- ตรวจสอบความลึกการเข่าที่ปรับไว้โดยการทดลองเข่าและปรับซ้ำ หากจำเป็น

การเริ่มต้นปฏิบัติงาน**การเปิด-ปิดเครื่อง**

สำหรับการเปิดสวิตช์เครื่องมือไฟฟ้า ให้ตั้งสวิตช์เปิด-ปิด (11) ไปที่ I

สำหรับการปิดสวิตช์ เครื่องมือไฟฟ้า ให้ตั้งสวิตช์เปิด-ปิด (11) ไปที่ 0

ข้อแนะนำในการทำงาน

- ▶ ป้องกันไม่ให้เครื่องมือเขาถูกระทบกระแทก
- ▶ ดึงปลั๊กไฟออกจากเต้าเสียบก่อนปรับแต่งเครื่อง

ทิศทางการบินและกระบวนการเขาสู่ (ดูภาพประกอบ D)

- ▶ ต้องเขาสู่ทวนทิศทางการบินของเครื่องมือเขาสู่ (6) เสมอ (เคลื่อนที่สวนทาง) หากเขาสู่ไปในทิศทางเดียวกับการหมุนของเครื่องมือเขาสู่ (เคลื่อนที่ทางเดียวกันไปข้างหน้า) เครื่องมือไฟฟ้าจะถูกดูดออกจากมือ
- ▶ ใช้เครื่องมือไฟฟ้าเฉพาะเมื่อได้ติดตั้งฐานเขาสู่แล้วเท่านั้น (2) การสูญเสียการควบคุมเครื่องมือไฟฟ้าอาจทำให้เกิดการบาดเจ็บได้

ข้อสังเกต: พึงคำนึงว่าเครื่องมือเขาสู่ (6) จะไหลออกมานอกแผ่นฐาน (9) เสมออย่าทำให้แผ่นลอกลายหรือชิ้นงานเสียหาย

ปรับตั้งความลึกการตัดที่ต้องการ

เปิดสวิตช์เครื่องทำงานและนำเครื่องไป

ยังตำแหน่งที่จะทำการเขาสู่

เมื่อเขาสู่เสร็จแล้ว ให้ปิดสวิตช์เครื่องมือไฟฟ้า

- ▶ **อย่าวางเครื่องมือไฟฟ้าลงจนกว่าเครื่องมือเขาจะหยุดสนิทแล้ว** เครื่องมือที่ยังวิ่งต่ออาจทำให้เกิดการบาดเจ็บได้

การเขาสู่ด้วยปลอกสวมสำหรับลอคแบบ (ดูภาพประกอบ E1 - E3)

ปลอกสวมสำหรับลอคแบบ (17)

ทำให้สามารถถ่วงทอลงเส้นโครง

ร่างจากแพทเทิร์นหรือแผ่นลอกลายลงบนชิ้นงานได้

เลือกปลอกสวมสำหรับลอคแบบที่เหมาะสม ทั้งนี้ขึ้นอยู่กับความหนาของแผ่นลอกลายหรือแพทเทิร์น เนื่องจากปลอกสวมสำหรับลอคแบบมีความสูงยื่นออกมา

แผ่นลอกลายจึงต้องมีความหนาอย่างน้อยที่สุด 8 มม. (ดูภาพประกอบ E1)

- ▶ **เลือกเครื่องมือเขาที่มีขนาดเส้นผ่าศูนย์กลางเล็กกว่าเส้นผ่าศูนย์กลางด้านในของปลอกสวมสำหรับลอคแบบ**

คลายสกรูเกลียวปล่อยลิ้นที่ด้านล่างของแผ่นนำทาง (8) ออก และถอดแผ่นนำทางออก

สวมปลอกสวมสำหรับลอคแบบ (17) ลงในแผ่นนำทาง (ดูภาพประกอบ E2)

ขันแผ่นนำทางอย่างหลวมๆ กลับไปที่แผ่นฐาน (9) อีกครั้ง แผ่นนำทางต้องยังคงเคลื่อนไปมาได้อย่างอิสระ

เพื่อให้แน่ใจว่าระยะห่างจากจุดศูนย์กลางเครื่องมือเขาและขอบปลอกสวมสำหรับลอคแบบจะเหมือนกันทุกที่ ท่านต้องปรับปลอกสวมสำหรับลอคแบบและแผ่นนำทางเข้าหากันและกัน หากจำเป็น

- จัดตำแหน่งแผ่นนำทางในลักษณะให้เครื่องมือเขาและปลอกสวมสำหรับลอคแบบอยู่ตรงกลางช่องเปิดในแผ่นนำทาง (ดูภาพประกอบ E3)
- จับแผ่นนำทางไว้ในตำแหน่งนี้และขันสกรูยึดให้แน่นสำหรับการเขาสู่ด้วยปลอกสวมสำหรับลอคแบบ (17) ให้ปฏิบัติตามดังต่อไปนี้:
 - เคลื่อนนำเครื่องมือไฟฟ้าที่มีปลอกสวมสำหรับลอคแบบ (17) ไปยังแผ่นลอกลาย
 - จับเครื่องมือพร้อมปลอกสวมสำหรับลอคแบบที่ยื่นออกมาเคลื่อนไปตามแผ่นลอกลายโดยกดลงตามข้างเล็กลง

การเขาสู่ขอบหรือรูปร่าง (ดูภาพประกอบ F)

สำหรับการเขาสู่ขอบหรือรูปร่างโดยไม่ใช้แม่กำหนดแนวขนาน เครื่องมือเขาต้องมีหมุดนำร่องหรือดลบลูกกลิ้งประกอบติด

จับเครื่องมือที่เปิดสวิตช์ทำงานเข้าหาชิ้นงานทางด้านข้างโดยให้หมุดนำร่องหรือดลบลูกกลิ้งของเครื่องมือเขาแตะกับขอบชิ้นงานที่จะเขาสู่

เคลื่อนนำเครื่องมือไฟฟ้าเทียบไปตามขอบชิ้นงาน ตรวจสอบให้แน่ใจว่าเครื่องมือวางอยู่บนชิ้นงานที่มุมที่ถูกต้องการ ออกแรงดันมากเกินไปอาจทำให้ขอบของชิ้นงานเสียหายได้

การเขาสู่ด้วยแม่กำหนดแนวขนาน (ดูภาพประกอบ G)

สำหรับการตัดขนานกับขอบ ให้ติดตั้งแม่กำหนดแนวขนาน (18)

ยึดแม่กำหนดแนวขนาน (18) ด้วยน็อต (2) ด้วยสกรูตอก (4)

ตั้งค่าความลึกที่ต้องการด้วยน็อตอีกที่แม่กำหนดแนวขนาน (19)

เคลื่อนนำเครื่องมือไฟฟ้าที่เปิดสวิตช์อยู่ไปข้างหน้า โดยป้อนเครื่องอย่างสม่ำเสมอ และกดลงด้านข้างบนแม่กำหนดแนวขนานไปตามขอบชิ้นงาน

การเขาสู่ด้วยตัวช่วยนำทาง (ดูภาพประกอบ H)

ตัวช่วยนำทาง (20) ใช้สำหรับเขาสู่ด้วยเครื่องมือเขา โดยไม่มีหมุดนำร่องหรือดลบลูกกลิ้ง

ยึดตัวช่วยนำทางที่ฐานเขาสู่ (2) ด้วยน็อต (4)

เคลื่อนนำเครื่องมือไฟฟ้าไปข้างหน้า โดยป้อนเครื่องอย่างสม่ำเสมอไปตามขอบชิ้นงาน

ช่องว่างด้านข้าง: เมื่อต้องการเปลี่ยนปริมาณเนื้อวัสดุที่จะ
เขาะออก ท่านสามารถปรับช่องว่างระหว่างชิ้นงานและลูก
กลิ้ง (23) ที่ตัวช่วยนำทาง (20)

คลายน็อตปิก (21) ออก ปรับช่องว่างด้านข้างที่ต้องการโดย
หมุนน็อตปิก (22) และขันน็อตปิก (21) กลับเข้าให้แน่น

ความสูง: ปรับแนวตั้งของตัวช่วยนำทางตามเครื่องมือเขาะที่
ใช้และความหนาของวัสดุที่จะทำงาน

คลายน็อต (4) ที่ตัวช่วยนำทางออก เลื่อนตัวช่วยนำทางไป
ยังตำแหน่งที่ต้องการและขันน็อตให้แน่น

ประเทศไทย

โทรศัพท์ 02 7587555

โทรสาร 02 7587525

การกำจัดขยะ

เครื่องมือไฟฟ้า อุปกรณ์ประกอบ และที่หม้อ ต้องนำ
ไปแยกประเภทวัสดุเพื่อการรีไซเคิลที่เป็นมิตรต่อสิ่งแวดล้อม



อย่าทิ้งเครื่องมือไฟฟ้าลงในขยะครัวเรือน!

การบำรุงรักษาและการบริการ

การบำรุงรักษาและการทำความสะอาด

- ▶ ดึงปลั๊กไฟออกจากเต้าเสียบก่อนปรับแต่งเครื่อง
- ▶ เพื่อให้ทำงานได้อย่างถูกต้องและปลอดภัย
ต้องรักษาเครื่องและช่องระบายอากาศ
ให้สะอาดอยู่เสมอ

หากจำเป็นต้องเปลี่ยนสายไฟฟ้า ต้องส่งเครื่องให้
หรือศูนย์บริการหลังการขายที่ได้รับมอบหมายสำหรับเครื่อง
มือไฟฟ้า Bosch เปลี่ยนให้ ทั้งนี้เพื่อหลีกเลี่ยงอันตราย

การบริการหลังการขายและการให้คำปรึกษาการ ใช้งาน

ศูนย์บริการหลังการขายของเรายินดีตอบคำถามของ
ท่านที่เกี่ยวกับการบำรุงรักษาและการซ่อมแซมผลิตภัณฑ์รวม
ทั้งเรื่องอะไหล่ ภาพเขียนแบบการประกอบและข้อมูลเกี่ยวกับ
อะไหล่ กรุณาดูใน: www.bosch-pt.com
ทีมงานที่ปรึกษาของ บอช ยินดีให้ข้อมูลเกี่ยวกับผลิตภัณฑ์
ของเราและอุปกรณ์ประกอบต่างๆ

เมื่อต้องการสอบถามและสั่งซื้ออะไหล่ กรุณาแจ้งหมายเลข
สินค้า 10 หลักบนแผ่นป้ายรุ่นของผลิตภัณฑ์ทุกครั้ง

ไทย

ไทย บริษัท โรเบิร์ต บอช จำกัด

เอฟวายไอ เซ็นเตอร์ อาคาร 1 ชั้น 5

เลขที่ 2525 ถนนพระราม 4

แขวงคลองเตย เขตคลองเตย กรุงเทพฯ 10110

โทร: +66 2012 8888

แฟกซ์: +66 2064 5800

www.bosch.co.th

ศูนย์บริการซ่อมและฝึกอบรม บอช

อาคาร ลาซาลทาวเวอร์ ชั้น G ห้องเลขที่ 2

บ้านเลขที่ 10/11 หมู่ 16

ถนนศรีนครินทร์ ตำบลบางแก้ว อำเภอบางพลี

จังหวัดสมุทรปราการ 10540

Bahasa Indonesia

Petunjuk Keselamatan

Petunjuk keselamatan umum untuk perkakas listrik

PERINGATAN Baca semua peringatan, petunjuk, ilustrasi, dan spesifikasi

keselamatan yang diberikan bersama perkakas listrik ini. Kesalahan dalam menjalankan petunjuk di bawah ini dapat mengakibatkan sengatan listrik, kebakaran, dan/atau cedera serius.

Simpanlah semua peringatan dan petunjuk untuk penggunaan di masa mendatang.

Istilah "perkakas listrik" dalam peringatan mengacu pada perkakas listrik yang dioperasikan dengan listrik (menggunakan kabel) atau perkakas listrik yang dioperasikan dengan baterai (tanpa kabel).

Keamanan tempat kerja

- ▶ **Jaga kebersihan dan pencahayaan area kerja.** Area yang berantakan atau gelap dapat memicu kecelakaan.
- ▶ **Jangan mengoperasikan perkakas listrik di lingkungan yang dapat memicu ledakan, seperti adanya cairan, gas, atau debu yang mudah terbakar.** Perkakas listrik dapat memancarkan bunga api yang kemudian mengakibatkan debu atau uap terbakar.
- ▶ **Jauhkan dari jangkauan anak-anak dan pengamat saat mengoperasikan perkakas listrik.** Gangguan dapat menyebabkan hilangnya kendali.

Keamanan listrik

- ▶ **Steker perkakas listrik harus sesuai dengan stopkontak. Jangan pernah memodifikasi steker. Jangan menggunakan steker adaptor bersama dengan perkakas listrik yang terhubung dengan sistem grounding.** Steker yang tidak dimodifikasi dan stopkontak yang cocok akan mengurangi risiko sengatan listrik.
- ▶ **Hindari kontak badan dengan permukaan yang terhubung dengan sistem grounding, seperti pipa,**

radiator, kompor, dan lemari es. Terdapat peningkatan risiko terjadinya sengatan listrik jika badan Anda terhubung dengan sistem grounding.

- ▶ **Perkakas listrik tidak boleh terpapar hujan atau basah.** Air yang masuk ke dalam perkakas listrik menambah risiko terjadinya sengatan listrik.
- ▶ **Jangan menyalahgunakan kabel. Jangan gunakan kabel untuk membawa, menarik, atau melepas steker perkakas listrik. Jauhkan kabel dari panas, minyak, tepi yang tajam, atau komponen yang bergerak.** Kabel listrik yang rusak atau tersangkut menambah risiko terjadinya sengatan listrik.
- ▶ **Saat mengoperasikan perkakas listrik di luar ruangan, gunakan kabel ekstensi yang sesuai untuk penggunaan di luar ruangan.** Penggunaan kabel yang cocok untuk pemakaian di luar ruangan mengurangi risiko terjadinya sengatan listrik.
- ▶ **Jika perkakas listrik memang harus dioperasikan di tempat yang lembap, gunakan pemutus arus listrik residu (RCD).** Penggunaan RCD akan mengurangi risiko terjadinya sengatan listrik.

Keselamatan personel

- ▶ **Tetap waspada, perhatikan aktivitas yang sedang dikerjakan dan gunakan akal sehat saat mengoperasikan perkakas listrik. Jangan gunakan perkakas listrik saat mengalami kelelahan atau di bawah pengaruh narkoba, alkohol, atau obat-obatan.** Jika perkakas listrik dioperasikan dengan daya konsentrasi yang rendah, hal tersebut dapat menyebabkan cedera serius.
- ▶ **Gunakan peralatan pelindung diri. Selalu kenakan pelindung mata.** Penggunaan perlengkapan pelindung seperti penutup telinga, helm, sepatu anti licin, dan masker debu akan mengurangi cedera.
- ▶ **Hindari start yang tidak disengaja. Pastikan switch berada di posisi off sebelum perkakas listrik dihubungkan ke sumber daya listrik dan/atau baterai, diangkat, atau dibawa.** Membawa perkakas listrik dengan jari menempel pada tombol atau perkakas listrik dalam keadaan hidup dapat memicu kecelakaan.
- ▶ **Singkirkan kunci penyetel atau kunci pas sebelum menghidupkan perkakas listrik.** Perkakas atau kunci pas yang masih menempel pada komponen perkakas listrik yang berputar dapat menyebabkan cedera.
- ▶ **Jangan melampaui batas. Berdirilah secara mantap dan selalu jaga keseimbangan.** Hal ini akan memberikan kontrol yang lebih baik terhadap perkakas listrik pada situasi yang tak terduga.
- ▶ **Kenakan pakaian dengan wajar. Jangan mengenakan perhiasan atau pakaian yang longgar. Jauhkan rambut dan pakaian dari komponen yang bergerak.** Pakaian yang longgar, rambut panjang, atau perhiasan dapat tersangkut dalam komponen yang bergerak.
- ▶ **Jika disediakan perangkat untuk sambungan pengisapan debu dan alat pengumpulan, pastikan perangkat tersebut terhubung dan digunakan dengan**

benar. Penggunaan alat pengumpulan dapat mengurangi bahaya yang disebabkan oleh debu.

- ▶ **Jangan berpuas diri dan mengabaikan prinsip keselamatan karena terbiasa mengoperasikan perkakas.** Tindakan yang kurang hati-hati dapat mengakibatkan cedera serius dalam waktu sepersekian detik.

Penggunaan dan pemeliharaan perkakas listrik

- ▶ **Jangan memaksakan perkakas listrik. Gunakan perkakas listrik yang sesuai untuk pekerjaan yang dilakukan.** Perkakas listrik yang sesuai akan bekerja dengan lebih baik dan aman sesuai tujuan penggunaan.
- ▶ **Jangan gunakan perkakas listrik dengan switch yang tidak dapat dioperasikan.** Perkakas listrik yang switchnya yang tidak berfungsi dapat menimbulkan bahaya dan harus diperbaiki.
- ▶ **Lepaskan steker dari sumber listrik dan/atau lepas baterai, jika dapat dilepaskan dari perkakas listrik sebelum menyetel, mengganti aksesoris, atau menyimpan perkakas listrik.** Tindakan preventif akan mengurangi risiko menghidupkan perkakas listrik secara tidak disengaja.
- ▶ **Jauhkan dan simpan perkakas listrik dari jangkauan anak-anak dan jangan biarkan orang-orang yang tidak mengetahui cara menggunakan perkakas listrik, mengoperasikan perkakas listrik.** Perkakas listrik dapat membahayakan jika digunakan oleh orang-orang yang tidak terlatih.
- ▶ **Lakukan pemeliharaan perkakas listrik dan aksesoris. Periksa komponen yang bergerak apabila tidak lurus atau terikat, kerusakan komponen, dan kondisi lain yang dapat mengganggu pengoperasian perkakas listrik. Apabila rusak, perbaiki perkakas listrik sebelum digunakan.** Kecelakaan sering terjadi karena perkakas listrik tidak dirawat dengan baik.
- ▶ **Jaga ketajaman dan kebersihan alat.** Alat pemotong dengan pisau pemotong yang tajam dan dirawat dengan baik tidak akan mudah tersangkut dan lebih mudah dikendalikan.
- ▶ **Gunakan perkakas listrik, aksesoris, dan komponen perkakas dll sesuai dengan petunjuk ini, dengan mempertimbangkan kondisi kerja dan pekerjaan yang akan dilakukan.** Penggunaan perkakas listrik untuk tujuan berbeda dari fungsinya dapat menyebabkan situasi yang berbahaya.
- ▶ **Jaga gagang dan permukaan genggam agar tetap kering, bersih, dan bebas dari minyak dan lemak.** Gagang dan permukaan genggam yang licin tidak menjamin keamanan kerja dan kontrol alat yang baik pada situasi yang tidak terduga.

Servis

- ▶ **Minta teknisi berkualifikasi untuk menyervis perkakas listrik dengan hanya menggunakan suku cadang yang identik.** Dengan demikian, hal ini akan memastikan keamanan perkakas listrik.

Petunjuk keselamatan untuk palm router

- ▶ **Pegang perkakas listrik hanya pada permukaan berisolator karena pemotong dapat bersentuhan dengan kabelnya sendiri.** Memotong kabel yang dialiri listrik dapat menyebabkan bagian logam perkakas listrik yang terbuka dialiri listrik, sehingga berisiko mengakibatkan sengatan listrik pada pengguna perkakas listrik.
- ▶ **Gunakan penjepit atau cara lain yang praktis untuk mengamankan dan menopang benda kerja pada permukaan yang stabil.** Benda kerja dapat goyah atau kehilangan kendali jika dipegang dengan tangan atau ditahan dengan tubuh Anda.
- ▶ **Kecepatan putaran pisau frais yang diperbolehkan harus setidaknya sebesar kecepatan putaran maksimal yang tercantum pada perkakas listrik.** Pisau frais yang berputar lebih cepat dari yang diperbolehkan dapat patah dan beterbangan.
- ▶ **Alat pemotong atau aksesori lainnya harus terpasang dengan tepat pada dudukan (collet chuck) perkakas listrik Anda.** Alat kerja yang tidak terpasang dengan tepat pada dudukannya dapat berputar secara tidak stabil, bergetar sangat keras, dan dapat mengakibatkan hilang kendali.
- ▶ **Hidupkan terlebih dahulu perkakas listrik, kemudian perkakas listrik didekatkan pada benda kerja.** Jika tidak, terdapat bahaya sentakan jika alat kerja tersangkut dalam benda yang dikerjakan.
- ▶ **Jangan pernah melakukan pemotongan (frais) pada benda logam, paku, atau sekrup.** Pisau frais dapat rusak dan mengakibatkan getaran yang keras.
- ▶ **Gunakanlah alat detektor logam yang cocok untuk mencari kabel dan pipa yang tidak terlihat atau hubungi perusahaan pengadaan setempat.** Sentuhan dengan kabel-kabel listrik dapat mengakibatkan api dan kontak listrik. Pipa gas yang dirusak dapat mengakibatkan ledakan. Pipa air yang dirusak mengakibatkan kerusakan barang-barang atau dapat mengakibatkan kontak listrik.
- ▶ **Jangan menggunakan pisau frais yang tumpul atau rusak.** Pisau frais yang tumpul atau rusak mengakibatkan gesekan yang lebih besar, dapat tersangkut, dan mengakibatkan ketidakseimbangan.
- ▶ **Sebelum meletakkan perkakas listrik, tunggulah hingga perkakas berhenti berputar.** Alat kerja dapat tersangkut dan menyebabkan perkakas listrik tidak dapat dikendalikan.

Spesifikasi produk dan performa



Bacalah semua petunjuk keselamatan dan petunjuk penggunaan. Kesalahan dalam menjalankan petunjuk keselamatan dan petunjuk penggunaan dapat mengakibatkan kontak listrik, kebakaran, dan/atau luka-luka

yang berat.

Perhatikan ilustrasi yang terdapat pada sisi sampul panduan pengoperasian.

Tujuan penggunaan

Perkakas listrik ini cocok untuk melakukan milling/copy milling alur, pinggiran, profil, dan slot di kayu, plastik, dan bahan ringan pada dudukan solid.

Ilustrasi komponen

Nomor-nomor dari bagian-bagian perkakas pada gambar sesuai dengan gambar perkakas listrik pada halaman bergambar.

- (1) Unit penggerak
- (2) Rumah frais
- (3) Dudukan carbon brush
- (4) Mur untuk pemandu pisau frais
- (5) Deflektor serutan
- (6) Pisau frais^{A)}
- (7) Mur dengan collet chuck
- (8) Alas peluncur
- (9) Pelat dasar
- (10) Baut kupu-kupu untuk rumah frais
- (11) Tombol on/off
- (12) Skala untuk penyetelan kedalaman pemotongan
- (13) Collet chuck
- (14) Dudukan alat kerja
- (15) Kunci pas (10 mm)^{A)}
- (16) Kunci pas (17 mm)^{A)}
- (17) Ring penyalinan (ring copy)^{A)}
- (18) Mistar paralel^{A)}
- (19) Baut kupu-kupu untuk mistar paralel^{A)}
- (20) Pemandu^{A)}
- (21) Baut kupu-kupu untuk menetapkan kesejajaran horizontal^{A)}
- (22) Baut kupu-kupu untuk kesejajaran horizontal pemandu^{A)}
- (23) Roda kecil (slide roller)^{A)}
- (24) Gagang (permukaan genggam berisolator)

A) Aksesori yang ada pada gambar atau yang dijelaskan tidak termasuk dalam lingkup pengiriman standar. Semua aksesori yang ada dapat Anda lihat dalam program aksesori kami.

Data teknis

Mesin frais tepi	GKF 550	
Nomor seri		3 601 FA0 0..
Input daya nominal	W	550
Kecepatan idle	min ⁻¹	33 000
Dudukan alat kerja	mm inch	6 ¼
Berat sesuai dengan EPTA-Procedure 01:2014	kg	1,4

Mesin frais tepi**GKF 550**

Tingkat perlindungan



Data-data berlaku untuk tegangan nominal [U] 230 V. Pada tegangan yang lebih rendah dan pada model khusus mancanegara data-data ini bisa berlainan.

Cara memasang

- ▶ **Sebelum mulai dengan pekerjaan pada perkakas listrik, tariklah steker dari stopkontak.**

Mengganti alat kerja

- ▶ **Pada waktu memasang dan mengganti pisau frais kami anjurkan agar Anda memakai sarung tangan pelindung.**

Pisau frais asli yang termasuk dalam program aksesoris **Bosch** dapat dibeli di agen penjualan Anda.

Melepas rumah frais (lihat gambar A)

Sebelum pisau frais dapat dipasang, rumah frais **(2)** pada unit penggerak **(1)** harus dipotong terlebih dulu.

Buka wing screw **(10)** pada rumah frais **(2)**.

Tarik unit penggerak keluar.

Mengganti collet chuck (lihat gambar B)

Sebelum memasang pisau frais, mur harus diganti dengan collet chuck **(7)** tergantung pada pisau frais yang digunakan. Jika collet chuck yang sesuai telah dipasang, maka ikutilah petunjuk-petunjuk dalam bab berikut.

Collet chuck **(13)** harus dipasang ke mur dengan sedikit jarak. Mur **(7)** harus mudah dipasang. Mur atau collet chuck yang rusak harus segera diganti.

Masukkan kunci pas **(15)** pada dudukan alat kerja **(14)** (lihat gambar **C1**).

Lepas mur **(7)** dengan memutar kunci pas **(16)** berlawanan arah jarum jam.

Jika perlu, sebelum merakit, bersihkan semua bagian yang akan dirakit dengan kuas yang lunak atau dengan cara ditiup.

Pasang mur yang baru ke dudukan alat kerja **(14)**.

Putar mur, tetapi jangan sampai terlalu kencang.

- ▶ **Kencangkan collet chuck dengan mur pengunci saat tidak ada pisau frais yang terpasang.** Collet chuck dapat rusak karenanya.

Memasang pisau frais (lihat gambar C1- C2)

Tergantung pada hasil pekerjaan yang diharapkan, pisau frais tersedia dalam berbagai macam dan mutu.

Pisau frais dari baja dengan performa tinggi (HSS) cocok untuk mengerjakan material yang lembut seperti kayu lunak dan plastik.

Pisau frais dengan ujung karbida (HM) khusus digunakan untuk material yang keras dan kasar seperti kayu keras dan aluminium.

Pisau frais asli yang termasuk dalam program aksesoris **Bosch** dapat Anda beli di agen penjualan **Bosch**.

Hanya pasang pisau frais yang sempurna dan bersih.

Memasang rumah frais (lihat gambar A)

Rumah frais **(2)** harus kembali dipasang ke unit penggerak **(1)** untuk melakukan proses frais.

Buka wing screw **(10)** pada rumah frais **(2)**.

Masukkan unit penggerak **(1)** ke rumah frais **(2)**.

Tutup wing screw **(10)** pada rumah frais **(2)**.

- ▶ **Setelah selesai memasang, periksalah selalu apakah unit penggerak telah terpasang dengan kencang pada rumah frais.**

Pengisapan debu/serbuk

Debu dari bahan-bahan seperti cat yang mengandung timbel (timah hitam), beberapa jenis kayu, bahan mineral dan logam dapat berbahaya bagi kesehatan. Menyentuh atau menghirup debu-debu ini dapat mengakibatkan reaksi alergi dan/atau penyakit saluran pernapasan pada pengguna atau orang yang berada di dekatnya.

Beberapa debu tertentu seperti debu kayu pohon quercus atau pohon fagus silvatica dianggap dapat mengakibatkan penyakit kanker, terutama dalam campuran dengan bahan-bahan tambahan untuk pengolahan kayu (kromat, obat pengawet kayu). Bahan-bahan yang mengandung asbes hanya boleh dikerjakan oleh orang-orang yang ahli.

- Perhatikanlah supaya ada pertukaran udara yang baik di tempat kerja.
- Kami anjurkan Anda memakai masker anti debu dengan filter kelas P2.

Taatilah peraturan-peraturan untuk bahan-bahan yang dikerjakan yang berlaku di negara Anda.

- ▶ **Hindari debu yang banyak terkumpul di tempat kerja.** Debu dapat tersulut dengan mudah.

Pengoperasian

- ▶ **Perhatikan tegangan listrik! Tegangan jaringan listrik harus sesuai dengan tegangan listrik yang tercantum pada label tipe perkakas listrik. Perkakas listrik dengan daya sebesar 230 V seperti yang diindikasikan pada label dapat juga dioperasikan pada daya 220 V.**

Menyetel kedalaman pemotongan

- ▶ **Pengaturan kedalaman pemotongan hanya boleh dilakukan saat perkakas listrik dinonaktifkan.**

Untuk penyetelan kasar kedalaman pemotongan, lakukan proses berikut:

- Letakkan perkakas listrik dengan pisau frais terpasang pada benda kerja.
- Buka baut kupu-kupu **(10)** pada rumah frais **(2)**.
- Pindahkan unit penggerak **(1)** pada kedalaman yang diinginkan dengan menggunakan skala penyetelan kedalaman pemotongan **(12)**.
- Tutup baut kupu-kupu **(10)** pada rumah frais **(2)**.
- Periksalah penyetelan kedalaman pemotongan dengan cara uji coba dan perbaiki jika perlu.

Pengoperasian pertama kali

Mengaktifkan/menonaktifkan perkakas listrik

Untuk **menyalakan** perkakas listrik, posisikan tombol on/off (**11**) pada posisi **I**.

Untuk **mematikan** perkakas listrik, posisikan tombol on/off (**11**) pada posisi **0**.

Petunjuk pengoperasian

- ▶ **Lindungilah pisau frais terhadap benturan dan sentakan.**
- ▶ **Sebelum mulai dengan pekerjaan pada perkakas listrik, tariklah steker dari stopkontak.**

Arah dan proses frais (lihat gambar D)

- ▶ **Proses frais harus selalu berlawanan dengan arah putar dari mata frais (6) (gerak berlawanan).** Jika arah pemotongan sesuai dengan arah putar dari mata frais (gerak sama), perkakas listrik dapat terpental dari tangan pengguna.
- ▶ **Gunakan perkakas listrik hanya dengan rumah frais (2) yang telah terpasang.** Kehilangan kendali pada perkakas listrik dapat menyebabkan cedera.

Catatan: Pertimbangkan bahwa pisau frais (**6**) akan selalu menonjol dari pelat dasar (**9**). Jangan merusak pola atau benda yang dikerjakan.

Aturlah kedalaman pemotongan yang diinginkan.

Hidupkan perkakas listrik dan letakkan perkakas listrik pada bagian benda yang akan dikerjakan.

Setelah pekerjaan pemotongan selesai, matikan perkakas listrik.

- ▶ **Jangan meletakkan perkakas listrik sebelum pisau frais benar-benar berhenti.** Alat kerja yang masih berputar dapat mengakibatkan terjadinya luka-luka.

Pisau frais dengan ring penyalinan (ring copy) (lihat gambar E1 – E3)

Dengan sarung penyalinan (**17**), kontur pada template atau pola dapat dipindahkan ke benda.

Pilihlah sarung penyalinan yang cocok menyesuaikan ketebalan pola atau template. Akibat sarung penyalinan menonjol keluar, pola harus mempunyai ketebalan paling sedikit sebesar 8 mm (lihat gambar **E1**).

- ▶ **Pilihlah pisau frais dengan diameter yang lebih kecil daripada diameter ring penyalinan (ring copy) bagian dalam.**

Buka keempat sekrup silinder pada sisi bawah alas peluncur (**8**) dan lepas alas peluncur.

Pasang ring penyalinan (ring copy) (**17**) ke alas peluncur (lihat gambar **E2**).

Pasang kembali sekrup pada alas peluncur (**9**) dengan tidak terlalu kencang. Alas peluncur harus bisa bergerak dengan bebas.

Supaya jarak antara pusat pisau frais dan pinggiran ring penyalinan (ring copy) selalu sama, ring penyalinan (ring

copy) dan alas peluncur harus dicocokkan pusatnya jika perlu.

- Pasang alas peluncur sedemikian rupa sehingga pisau frais dan ring penyalinan (ring copy) berada di pusat lubang alas peluncur (lihat gambar **E3**).
- Tahan alas peluncur dalam posisi ini dan kencangkan semua baut.

Untuk melakukan frais dengan ring penyalinan (ring copy) (**17**), lakukan proses sebagai berikut:

- Letakkan perkakas listrik dengan ring penyalinan (ring copy) (**17**) ke atas pola.
- Dorong perkakas listrik dengan ring penyalinan (ring copy) yang menonjol ke luar dengan tekanan dari samping sepanjang pola.

Proses frais pinggiran atau profil (lihat gambar F)

Pada pekerjaan memotong pinggiran atau profil tanpa mistar sejajar, pisau frais yang dipakai harus memiliki ujung bundar atau bantalan peluru.

Dekatkan perkakas listrik yang sudah dihidupkan dari samping pada benda yang akan dikerjakan hingga ujung bundar atau bantalan peluru pisau frais terkena pada sisi dari benda yang akan dikerjakan.

Dorong perkakas listrik sepanjang sisi benda yang dikerjakan. Perhatikan supaya pisau frais berada dalam posisi bersudut. Tekanan yang terlalu besar dapat merusak pinggiran benda yang dikerjakan.

Proses frais dengan mistar paralel (lihat gambar G)

Untuk pemotongan sudut paralel, mistar paralel (**18**) dapat dipasang.

Kencangkan mistar paralel (**18**) pada rumah frais (**2**) dengan sekrup (**4**).

Atur kedalaman yang diinginkan pada mistar paralel (**19**) dengan baut kupu-kupu.

Dorong perkakas listrik yang sudah dinyalakan ke sepanjang sisi benda kerja secara merata dan tekan dari samping pada mistar paralel.

Proses frais dengan mistar berbentuk batang siku (lihat gambar H)

Mistar berbentuk batang siku (**20**) digunakan untuk melakukan frais pada pinggiran dengan pisau frais tanpa ujung bundar atau bantalan peluru.

Pasang mistar berbentuk batang siku pada rumah frais (**2**) dengan mur (**4**).

Dorong perkakas listrik sepanjang sisi benda yang dikerjakan dengan tekanan ke depan yang sama.

Jarak samping: Untuk mengubah kuantitas pembersihan material, jarak samping antara benda dan alas peluncur (**23**) pada mistar berbentuk batang siku (**20**) dapat diatur.

Buka wing screw (**21**), atur jarak samping yang diinginkan dengan memutar wing screw (**22**) dan mengencangkan wing screw (**21**) kembali.

Ketinggian: Atur kesejajaran vertikal pada mistar berbentuk batang siku menyesuaikan pisau frais yang digunakan dan kekuatan benda yang dikerjakan.

Lepas sekrup pengencang (4) pada mistar berbentuk batang siku, dorong mistar berbentuk batang siku ke posisi yang diinginkan dan kemudian kencangkan baut kembali.

Perawatan dan servis

Perawatan dan pembersihan

- ▶ **Sebelum mulai dengan pekerjaan pada perkakas listrik, tariklah steker dari stopkontak.**
- ▶ **Perkakas listrik dan lubang ventilasi harus selalu dibersihkan agar perkakas dapat digunakan dengan baik dan aman.**

Jika kabel listrik harus diganti, pekerjaan ini harus dilakukan oleh **Bosch** atau Service Center untuk perkakas listrik **Bosch** resmi agar keselamatan kerja selalu terjamin.

Layanan pelanggan dan konsultasi penggunaan

Layanan pelanggan Bosch menjawab semua pertanyaan Anda tentang reparasi dan perawatan serta tentang suku cadang produk ini. Gambaran teknis (exploded view) dan informasi mengenai suku cadang dapat ditemukan di:

www.bosch-pt.com

Tim konsultasi penggunaan Bosch akan membantu Anda menjawab pertanyaan seputar produk kami beserta aksesornya.

Jika Anda hendak menanyakan sesuatu atau memesan suku cadang, selalu sebutkan nomor model yang terdiri dari 10 angka dan tercantum pada label tipe produk.

Indonesia

PT Robert Bosch
Palma Tower 10th Floor
Jalan RA Kartini II-S Kaveling 6
Pondok Pinang, Kebayoran Lama
Jakarta Selatan 12310
Tel.: (021) 3005 5800
Fax: (021) 3005 5801
E-Mail: boschpowertools@id.bosch.com
www.bosch-pt.co.id

Cara membuang

Perkakas listrik, aksesoris, dan kemasan sebaiknya didaur ulang secara ramah lingkungan.



Jangan membuang perkakas listrik ke dalam sampah rumah tangga!

Tiếng Việt

Hướng dẫn an toàn

Hướng dẫn an toàn chung cho dụng cụ điện

⚠ CẢNH BÁO Hãy đọc toàn bộ các cảnh báo an toàn, hướng dẫn, hình ảnh và thông số kỹ thuật được cung cấp cho dụng cụ điện cầm tay này. Không tuân thủ mọi hướng dẫn được liệt kê dưới đây có thể bị điện giật, gây cháy và /hay bị thương tật nghiêm trọng. **Hãy giữ tất cả tài liệu về cảnh báo và hướng dẫn để tham khảo về sau.**

Thuật ngữ "dụng cụ điện cầm tay" trong phần cảnh báo là đề cập đến sự sử dụng dụng cụ điện cầm tay của bạn, loại sử dụng điện nguồn (có dây cắm điện) hay vận hành bằng pin (không dây cắm điện).

Khu vực làm việc an toàn

- ▶ **Giữ nơi làm việc sạch và đủ ánh sáng.** Nơi làm việc bừa bộn và tối tăm dễ gây ra tai nạn.
- ▶ **Không vận hành dụng cụ điện cầm tay trong môi trường dễ gây nổ, chẳng hạn như nơi có chất lỏng dễ cháy, khí đốt hay rác.** Dụng cụ điện cầm tay tạo ra các tia lửa nên có thể làm rác bén cháy hay bốc khói.
- ▶ **Không để trẻ em hay người đến xem đứng gần khi vận hành dụng cụ điện cầm tay.** Sự phân tâm có thể gây ra sự mất điều khiển.

An toàn về điện

- ▶ **Phích cắm của dụng cụ điện cầm tay phải thích hợp với ổ cắm.** Không bao giờ được cài biến lại phích cắm dưới mọi hình thức. Không được sử dụng phích tiếp hợp nối tiếp đất (dây mát). Phích cắm nguyên bản và ổ cắm đúng loại sẽ làm giảm nguy cơ bị điện giật.
- ▶ **Tránh không để thân thể tiếp xúc với đất hay các vật có bề mặt tiếp đất như đường ống, lò sưởi, hàng rào và tủ lạnh.** Có nhiều nguy cơ bị điện giật hơn nếu cơ thể bạn bị tiếp hay nối đất.
- ▶ **Không được để dụng cụ điện cầm tay ngoài mưa hay ở tình trạng ẩm ướt.** Nước vào máy sẽ làm tăng nguy cơ bị điện giật.
- ▶ **Không được làm dụng dây dẫn điện.** Không bao giờ được nắm dây dẫn để xách, kéo hay rút phích cắm dụng cụ điện cầm tay. Không để dây gần nơi có nhiệt độ cao, dầu nhớt, vật nhọn bén và bộ phận chuyển động. Làm hỏng hay cuộn rối dây dẫn làm tăng nguy cơ bị điện giật.
- ▶ **Khi sử dụng dụng cụ điện cầm tay ngoài trời, dùng dây nối thích hợp cho việc sử dụng ngoài trời.** Sử dụng dây nối thích hợp cho việc sử dụng ngoài trời làm giảm nguy cơ bị điện giật.

- ▶ **Nếu việc sử dụng dụng cụ điện cầm tay ở nơi ẩm ướt là không thể tránh được, dùng thiết bị ngắt mạch tự động (RCD) bảo vệ nguồn.** Sử dụng thiết bị ngắt mạch tự động RCD làm giảm nguy cơ bị điện giật.

An toàn cá nhân

- ▶ **Hãy tỉnh táo, biết rõ mình đang làm gì và hãy sử dụng ý thức khi vận hành dụng cụ điện cầm tay.** Không sử dụng dụng cụ điện cầm tay khi đang mệt mỏi hay đang bị tác động do chất gây nghiện, rượu hay dược phẩm gây ra. Một thoáng mất tập trung khi đang vận hành dụng cụ điện cầm tay có thể gây thương tích nghiêm trọng cho bản thân.
- ▶ **Sử dụng trang bị bảo hộ cá nhân.** Luôn luôn đeo kính bảo vệ mắt. Trang bị bảo hộ như khẩu trang, giày chống trượt, nón bảo hộ, hay dụng cụ bảo vệ tai khi được sử dụng đúng nơi đúng chỗ sẽ làm giảm nguy cơ thương tật cho bản thân.
- ▶ **Phòng tránh máy khởi động bất ngờ.** Bảo đảm công tắc máy ở vị trí tắt trước khi cắm vào nguồn điện và/hay lắp pin vào, khi nhắc máy lên hay khi mang xách máy. Ngáng ngón tay vào công tắc máy để xách hay kích hoạt dụng cụ điện cầm tay khi công tắc ở vị trí mở dễ dẫn đến tai nạn.
- ▶ **Lấy mọi chìa hay khóa điều chỉnh ra trước khi mở điện dụng cụ điện cầm tay.** Khóa hay chìa còn gắn dính vào bộ phận quay của dụng cụ điện cầm tay có thể gây thương tích cho bản thân.
- ▶ **Không rướn người.** Luôn luôn giữ tư thế đứng thích hợp và thẳng bằng. Điều này tạo cho việc điều khiển dụng cụ điện cầm tay tốt hơn trong mọi tình huống bất ngờ.
- ▶ **Trang phục thích hợp.** Không mặc quần áo rộng lủng thùng hay mang trang sức. Giữ tóc và quần áo xa khỏi các bộ phận chuyển động. Quần áo rộng lủng thùng, đồ trang sức hay tóc dài có thể bị cuốn vào các bộ phận chuyển động.
- ▶ **Nếu có các thiết bị đi kèm để nối máy hút bụi và các phụ kiện khác, bảo đảm các thiết bị này được nối và sử dụng tốt.** Việc sử dụng các thiết bị gom hút bụi có thể làm giảm các độc hại liên quan đến bụi gây ra.
- ▶ **Không để thói quen do sử dụng thường xuyên dụng cụ khiến bạn trở nên chủ quan và bỏ qua các quy định an toàn dụng cụ.** Một hành vi bất cẩn có thể gây ra thương tích nghiêm trọng chỉ trong tích tắc.

Sử dụng và bảo dưỡng dụng cụ điện cầm tay

- ▶ **Không được ép máy.** Sử dụng dụng cụ điện cầm tay đúng loại theo đúng ứng dụng của bạn. Dụng cụ điện cầm tay đúng chức năng sẽ

làm việc tốt và an toàn hơn theo đúng tiến độ mà máy được thiết kế.

- ▶ **Không sử dụng dụng cụ điện cầm tay nếu như công tắc không tắt và mở được.** Bất kỳ dụng cụ điện cầm tay nào mà không thể điều khiển được bằng công tắc là nguy hiểm và phải được sửa chữa.
- ▶ **Rút phích cắm ra khỏi nguồn điện và/hay pin ra khỏi dụng cụ điện cầm tay nếu có thể tháo được, trước khi tiến hành bất kỳ điều chỉnh nào, thay phụ kiện, hay cất dụng cụ điện cầm tay.** Các biện pháp ngăn ngừa như vậy làm giảm nguy cơ dụng cụ điện cầm tay khởi động bất ngờ.
- ▶ **Cất giữ dụng cụ điện cầm tay không dùng tới nơi trẻ em không lấy được và không cho người chưa từng biết dụng cụ điện cầm tay hay các hướng dẫn này sử dụng dụng cụ điện cầm tay.** Dụng cụ điện cầm tay nguy hiểm khi ở trong tay người chưa được chỉ cách sử dụng.
- ▶ **Bảo quản dụng cụ điện cầm tay và các phụ kiện.** Kiểm tra xem các bộ phận chuyển động có bị sai lệch hay kẹt, các bộ phận bị rạn nứt và các tình trạng khác có thể ảnh hưởng đến sự vận hành của máy. Nếu bị hư hỏng, phải sửa chữa máy trước khi sử dụng. Nhiều tai nạn xảy ra do bảo quản dụng cụ điện cầm tay tồi.
- ▶ **Giữ các dụng cụ cắt bén và sạch.** Bảo quản đúng cách các dụng cụ cắt có cạnh cắt bén làm giảm khả năng bị kẹt và dễ điều khiển hơn.
- ▶ **Sử dụng dụng cụ điện cầm tay, phụ kiện, đầu cài v. v., đúng theo các chỉ dẫn này, hãy lưu ý đến điều kiện làm việc và công việc phải thực hiện.** Sự sử dụng dụng cụ điện cầm tay khác với mục đích thiết kế có thể tạo nên tình huống nguy hiểm.
- ▶ **Giữ tay cầm và bề mặt nắm luôn khô ráo, sạch sẽ và không dính dầu mỡ.** Tay cầm và bề mặt nắm trơn trượt không đem lại thao tác an toàn và kiểm soát dụng cụ trong các tình huống bất ngờ.

Bảo dưỡng

- ▶ **Đưa dụng cụ điện cầm tay của bạn đến thợ chuyên môn để bảo dưỡng, chỉ sử dụng phụ tùng đúng chủng loại để thay.** Điều này sẽ đảm bảo sự an toàn của máy được giữ nguyên.

Các hướng dẫn an toàn cho phay cạnh

- ▶ **Chỉ cầm dụng cụ điện cầm tay tại các bề mặt cầm nắm có cách điện, vì máy cắt có thể chạm vào chính dây điện của thiết bị.** Cắt một dây "có điện" có thể làm cho các phần kim loại hở của dụng cụ điện cầm tay "có điện" và có thể gây ra điện giật cho người vận hành.

- ▶ **Sử dụng các kẹp hoặc cách thực tiễn khác để cố định và đỡ phôi gia công vào sàn thao tác cố định.** Việc cầm phôi gia công bằng tay hoặc tựa người vào phôi gia công làm cho nó dễ đổ và có thể dẫn đến mất kiểm soát.
- ▶ **Tốc độ danh định của máy phay phải ít nhất là bằng với tốc độ tối đa được ghi trên dụng cụ điện cầm tay.** Máy phay chạy nhanh hơn tốc độ danh định của chúng có thể văng vỡ ra.
- ▶ **Máy phay hay bất kỳ loại phụ tùng nào khác phải vừa vận phù hợp với giá đỡ dụng cụ (mâm cặp) của dụng cụ điện.** Mũi phay mà không vừa khít chính xác với phần cặp dụng cụ của máy sẽ quay không đều, rung lắc dữ dội và có thể dẫn đến sự mất kiểm soát.
- ▶ **Chỉ cho máy gia công vật liệu khi máy đã hoạt động.** Nếu không làm vậy thì sẽ có nguy cơ bị giật ngược do dụng cụ cắt bị kẹt chặt trong vật gia công.
- ▶ **Không phay bằng các vật thể kim loại, đinh hoặc vít.** Mũi phay có thể bị làm hỏng và làm gia tăng sự rung lắc.
- ▶ **Dùng thiết bị dò tìm thích hợp để xác định nếu có các công trình công cộng lắp đặt ngầm trong khu vực làm việc hay liên hệ với Cty công trình công cộng địa phương để nhờ hỗ trợ.** Dụng cụ chạm đường dẫn điện có thể gây ra hỏa hoạn và điện giật. Làm hư hại đường dẫn khí ga có thể gây nổ. Làm thủng đường dẫn nước gây hư hỏng tài sản hay có khả năng gây ra điện giật.
- ▶ **Không sử dụng máy phay cùn hoặc bị hỏng.** Mũi phay đã cùn hay hư hỏng làm tăng sự ma sát, có thể bị kẹt chặt và rồi dẫn đến sự mất thăng bằng.
- ▶ **Luôn luôn đợi cho máy hoàn toàn ngừng hẳn trước khi đặt xuống.** Dụng cụ lắp vào máy có thể bị kẹt chặt dẫn đến việc dụng cụ điện cầm tay bị mất điều khiển.

Mô Tả Sản Phẩm và Đặc Tính Kỹ Thuật



Đọc kỹ mọi cảnh báo an toàn và mọi hướng dẫn. Không tuân thủ mọi cảnh báo và hướng dẫn được liệt kê dưới đây có thể bị điện giật, gây cháy và / hay bị thương tật nghiêm trọng.

Xin lưu ý các hình minh họa trong phần trước của hướng dẫn vận hành.

Sử dụng đúng cách

Máy được thiết kế để phay rãnh, cạnh biên, mặt cạnh và các lỗ phân bố trải dài cũng như chép hình vào gỗ, nhựa và các vật liệu xây dựng nhẹ khi các vật này dính chắc trên vật gia công.

Các bộ phận được minh họa

Sự đánh số các biểu trưng của sản phẩm là để tham khảo hình minh họa của máy trên trang hình ảnh.

- (1) Động cơ máy
- (2) Khuôn bao phay
- (3) Nơi lắp chốt than
- (4) Núm của ống dẫn máy cắt
- (5) Bộ phận dẫn phoi
- (6) Máy phay^{A)}
- (7) Mâm cặp
- (8) Tấm hướng dòng
- (9) Chân đế khuôn bao
- (10) Ốc tai hồng của buồng máy cắt
- (11) Công tắc bật/tắt
- (12) Thước chia độ dùng để điều chỉnh độ sâu phay
- (13) Cổ góp
- (14) Phần lắp dụng cụ
- (15) Chia vận hình đĩa (10 mm)^{A)}
- (16) Chia vận hình đĩa (17 mm)^{A)}
- (17) Bạc dẫn hướng^{A)}
- (18) Thanh cữ^{A)}
- (19) Vít tai hồng của thanh cữ^{A)}
- (20) Khung tựa ống dẫn^{A)}
- (21) Vít tai hồng để cố định hướng ngang^{A)}
- (22) Vít tai hồng để căn chỉnh hướng ngang của khung tựa ống dẫn^{A)}
- (23) Con lăn^{A)}
- (24) Tay nắm (bề mặt nắm cách điện)

A) Phụ tùng được trình bày hay mô tả không phải là một phần của tiêu chuẩn hàng hóa được giao kèm theo sản phẩm. Bạn có thể tham khảo tổng thể các loại phụ tùng, phụ kiện trong chương trình phụ tùng của chúng tôi.

Thông số kỹ thuật

Phay cạnh	GKF 550	
Mã số máy	3 601 FA0 0..	
Công suất vào danh định	W	550
Tốc độ không tải	min ⁻¹	33 000
Phần lắp dụng cụ	mm	6
	inch	¼
Trọng lượng theo Qui trình EPTA-Procedure 01:2014	kg	1,4
Cấp độ bảo vệ	□ / II	

Các giá trị đã cho có hiệu lực cho điện thế danh định [U] 230 V. Đối với điện thế thấp hơn và các loại máy dành riêng cho một số quốc gia, các giá trị này có thể thay đổi.

Sự lắp vào

- ▶ **Trước khi tiến hành bất cứ việc gì trên máy, kéo phích cắm điện nguồn ra.**

Thay Dụng Cụ

- ▶ **Để lắp hay thay mũi phay, xin khuyến nghị nên mang găng bảo vệ tay.**

Bạn có thể mua được các loại mũi phay chính hãng trong chương trình phụ kiện tổng quát của **Bosch** ở cửa hàng chuyên ngành.

Tháo khuôn bao phay (xem hình A)

Trước khi bạn có thể lắp máy phay, trước hết bạn phải ngắt khuôn bao phay (2) khỏi động cơ máy (1).

Tháo ốc tai hồng (10) ở buồng máy cắt (2).

Bạn kéo động cơ chính lên trên.

Thay đổi cổ góp (xem Hình B)

Tùy theo máy cắt được sử dụng, bạn phải thay đổi núm xoay bằng một vòng đai (7) trước khi lắp máy cắt.

Nếu đã lắp sẵn sàng vòng đai cho máy cắt của bạn, hãy tiếp tục các bước làm trong mục sau đây.

Cổ góp (13) phải khớp vào đai ốc mũ với một khe hở. Đai ốc mũ (7) phải được lắp dễ dàng. Nếu mâm cặp hay cổ góp bị hỏng, cần phải thay ra ngay.

Bạn đặt cờ lê (15) lên nơi tiếp nhận của dụng cụ (14) (xem Hình C1).

Bạn vận núm xoay ra ngược chiều kim đồng hồ (7) bằng cờ lê (16).

Nếu cần, trước khi lắp các bộ phận vào, dùng một cọ mềm để chải hay dùng khí nén để thổi sạch trước.

Hãy đặt đai ốc mũ mới lên giá đỡ dụng cụ (14).

Vận mâm cặp chặt lại một cách vừa phải.

- ▶ **Không siết chặt cổ góp với đai ốc mũ, nếu máy phay chưa được lắp.** Nếu không, cổ góp có thể bị hỏng.

Lắp máy phay vào (xem Hình ảnh C1 – C2)

Tùy theo mục đích ứng dụng, hầu hết các loại mũi phay khác nhau về kiểu dáng và chất lượng hiện đều có bán ở thị trường.

Máy phay làm từ thép siêu tốc hiệu suất cao (HSS) phù hợp để gia công vật liệu mềm ví dụ như gỗ mềm và nhựa.

Các máy phay có lưỡi cắt kim loại cứng (HM) đặc biệt phù hợp với vật liệu cứng và mài mòn như gỗ cứng và nhôm.

Bạn có thể mua được các loại mũi phay chính hãng trong chương trình phụ kiện tổng quát của Bosch ở cửa hàng chuyên ngành.

Chỉ sử dụng mũi phay sạch và có tình trạng hoàn hảo.

Lắp khuôn bao phay (xem hình B)

Để phay bạn phải lắp khuôn bao phay (2) vào động cơ máy (1).

Tháo ốc tai hồng (10) ở buồng máy cắt (2).

Trượt nhẹ động cơ chính (1) vào trong buồng máy cắt (2).

Đóng ốc tai hồng (10) ở buồng máy cắt (2).

- ▶ **Sau khi lắp vào, luôn luôn kiểm tra xem động cơ máy có nằm chắc chắn trong khuôn bao phay không.**

Hút Dăm/Bụi

Mạt bụi từ các vật liệu được sơn phủ ngoài có chứa chì trên một số loại gỗ, khoáng vật và kim loại có thể gây nguy hại đến sức khỏe con người. Dụng cụ chạm hay hít thở các bụi này có thể làm người sử dụng hay đứng gần bị dị ứng và/hoặc gây nhiễm trùng hệ hô hấp.

Một số hạt bụi cụ thể, ví dụ như bụi gỗ sồi hay đậu, được xem là chất gây ung thư, đặc biệt là có liên quan đến các chất phụ gia dùng xử lý gỗ (chất cromat, chất bảo quản gỗ). Có thể chỉ nên để thợ chuyên môn gia công các loại vật liệu có chứa amiăng.

- Tạo không khí thông thoáng nơi làm việc.
- Khuyến nghị nên mang mặt nạ phòng độc có bộ lọc cấp P2.

Tuân thủ các qui định của quốc gia bạn liên quan đến loại vật liệu gia công.

- ▶ **Tránh không để rác tích tụ tại nơi làm việc.** Rác có thể dễ dàng bắt lửa.

Vận Hành

- ▶ **Hãy cẩn thận với nguồn điện! Điện thế nguồn phải đúng với điện thế đã ghi rõ trên nhãn máy. Dụng cụ điện được ghi 230 V cũng có thể được vận hành ở 220 V.**

Điều Chỉnh Độ Sâu Phay

- ▶ **Chỉ điều chỉnh độ sâu phay khi dụng cụ điện được tắt.**

Để điều chỉnh độ sâu phay thô, tiến hành như sau:

- Với máy đã lắp mũi phay vào, đặt dụng cụ điện lên trên vật liệu được gia công.
- Tháo ốc tai hồng (10) ở buồng máy cắt (2).
- Di chuyển động cơ chính (1) vào độ sâu mong muốn theo thước đo điều chỉnh độ sâu của máy cắt (12).
- Đóng ốc tai hồng (10) ở buồng máy cắt (2).
- Nếu cần thiết, kiểm tra chiều sâu phay bằng cách phay thử thực tế và điều chỉnh lại.

Bắt Đầu Vận Hành

Bật Mở và Tắt

Để **bật** dụng cụ điện bạn hãy đặt công tắc bật/tắt (11) thành I.

Để **tắt** dụng cụ điện hãy đặt công tắc bật/tắt (11) thành 0.

Hướng Dẫn Sử Dụng

- ▶ **Tránh không để mũi phay chịu sự va đập và bị tác động mạnh.**
- ▶ **Trước khi tiến hành bất cứ việc gì trên máy, kéo phích cắm điện nguồn ra.**

Hướng phay và quá trình phay (xem Hình D)

- ▶ **Quá trình phay phải luôn được thực hiện theo cùng chiều quay của máy phay (6) (chuyển động cắt đi lên).** Khi phay theo cùng chiều quay của mũi phay (chuyển động cắt đi xuống), máy có thể bị đẩy rời ra, làm cho người sử dụng mất điều khiển.
- ▶ **Chỉ sử dụng dụng cụ điện với khuôn bao phay đã lắp (2).** Sự mất điều khiển máy có thể gây thương tích.

Hướng dẫn: Hãy lưu ý rằng máy phay luôn nhô ra (6) khỏi chân đế khuôn bao (9). Không được làm hư hỏng khuôn mẫu hay vật gia công.

Chỉnh độ sâu máy mong muốn.

Mở cho máy hoạt động và đưa máy đến vị trí cần được phay.

Sau khi phay, tắt dụng cụ điện.

- ▶ **Không được đặt dụng cụ điện xuống cho đến khi máy phay đã ngừng quay hoàn toàn.** Các dụng cụ cắt vẫn đang còn chạy có thể gây thương tích.

Máy phay có bạc dẫn hướng (xem Hình ảnh E1 – E3)

Nhờ bạc dẫn hướng (17) bạn có thể chuyển các hình dáng của khuôn mẫu hoặc mô hình lên phôi gia công.

Chọn tùy theo độ dày của mô hình cũng như mẫu của tấm mẫu riêng. Do độ cao đặt ra của tấm mẫu, mô hình phải có ruột dày ít nhất 8 mm (xem hình E1).

- ▶ **Chọn mũi phay có đường kính nhỏ hơn đường kính trong của bạc dẫn hướng.**

Hãy vận bốn vít xi lanh ở mặt dưới của tấm hướng dòng (8) và tháo tấm hướng dòng.

Hãy lắp bạc dẫn hướng (17) vào tấm hướng dòng (xem Hình E2).

Hãy vận lỏng tấm hướng dòng vào chân đế khuôn bao (9). Tấm hướng dòng vẫn phải có thể chuyển dịch tự do.

Để đảm bảo khoảng cách từ tâm điểm của mũi phay và cạnh của bạc dẫn hướng đều như nhau,

nếu cần, phải điều chỉnh bạc dẫn hướng và tấm hướng dòng qua lại với nhau.

- Chỉnh sắp tấm hướng dòng sao cho mũi phay và bạc dẫn hướng nằm thẳng giữa phần trống trong tấm hướng dòng (xem Hình E3).
- Giữ tấm hướng dòng nằm ở vị trí này và siết chặt các vít bắt vào.

Để phay bằng bạc dẫn hướng (17) hãy tiến hành như sau:

- Hãy đặt dụng cụ điện có bạc dẫn hướng (17) lên mô hình.
- Đẩy máy có bạc dẫn hướng nhô ra dọc theo khuôn mẫu, ứng dụng với lực áp nhẹ lên một cạnh.

Phay cạnh hoặc phanh hình dạng (xem hình F)

Khi phay biên hay định hình mà không sử dụng dưỡng cặp cạnh, mũi phay phải được trang bị phần trục dẫn hướng hay ổ bạc đạn.

Đẩy máy dang mở ngang từ hông vào vật liệu gia công cho đến khi phần trục dẫn hướng hay ổ bạc đạn của mũi phay giáp vào cạnh của vật liệu gia công.

Đẩy máy dọc theo cạnh của vật liệu gia công. Bảo đảm máy được đặt ở vị trí vuông góc với vật liệu gia công. Dùng sức ép quá mức có thể làm hư cạnh bên của vật liệu gia công.

Phay với thanh cữ (xem Hình G)

Để cắt song song cạnh bạn có thể lắp một thanh cữ (18).

Cố định thanh cữ (18) trên buồng máy cắt (2) bằng vít đầu có khóa (4).

Hãy điều chỉnh độ sâu cữ chặn mong muốn với vít tai hồng tại thanh cữ (19).

Đẩy máy đã được mở với bước tiến đồng đều với lực áp một cạnh lên dưỡng cặp cạnh dọc theo cạnh bên của vật liệu gia công.

Phay với khung tựa ống dẫn (xem hình H)

Khung tựa ống dẫn (20) dùng để phay các cạnh bằng máy phay mà không có chốt dẫn hướng hoặc ổ bi.

Cố định khung tựa ống dẫn trên buồng máy cắt (2) bằng núm (4).

Đẩy máy tới với bước tiến đồng đều dọc theo cạnh bên.

Khoảng cách về phía bên: Để thay đổi lượng cắt bỏ vật liệu, bạn có thể điều chỉnh khoảng cách về phía bên giữa phôi gia công và con lăn (23) ở khung tựa ống dẫn (20).

Hãy nới lỏng vít tai hồng (21), hãy điều chỉnh khoảng cách về phía bên mong muốn bằng cách xoay vít tai hồng (22) và siết chặt vít tai hồng (21) lại.

Chiều cao: Hãy điều chỉnh căn chỉnh hướng dọc của khung tựa ống dẫn tùy theo máy phay đã dùng và độ bền của vật liệu cần gia công.
Nới lỏng núm **(4)** ở khung tựa ống dẫn, trượt nhẹ khung tựa ống dẫn vào vị trí mong muốn và xiết chặt ốc.

Sự thải bỏ

Máy, linh kiện và bao bì phải được phân loại để tái chế theo hướng thân thiện với môi trường.



Không được thải bỏ dụng cụ điện vào chung với rác sinh hoạt!

Bảo Dưỡng và Bảo Quản

Bảo Dưỡng Và Làm Sạch

- ▶ Trước khi tiến hành bất cứ việc gì trên máy, kéo phích cắm điện nguồn ra.
- ▶ Để được an toàn và máy hoạt động đúng chức năng, luôn luôn giữ máy và các khe thông gió được sạch.

Nếu như cần phải thay dây dẫn điện thì công việc này phải do hãng **Bosch**, hay một đại lý được **Bosch** ủy nhiệm thực hiện để tránh gặp sự nguy hiểm do mất an toàn.

Dịch vụ hỗ trợ khách hàng và tư vấn sử dụng

Bộ phận phục vụ hàng sau khi bán của chúng tôi trả lời các câu hỏi liên quan đến việc bảo dưỡng và sửa chữa các sản phẩm cũng như phụ tùng thay thế của bạn. Sơ đồ mô tả và thông tin về phụ tùng thay thế cũng có thể tra cứu theo dưới đây:

www.bosch-pt.com

Đội ngũ tư vấn sử dụng của Bosch sẽ giúp bạn giải đáp các thắc mắc về sản phẩm và phụ kiện.

Trong tất cả các phân hồi và đơn đặt phụ tùng, xin vui lòng luôn luôn nhập số hàng hóa 10 chữ số theo nhãn của hàng hóa.

Việt Nam

CN CÔNG TY TNHH BOSCH VIỆT NAM TẠI TP.HCM

Tầng 14, Ngôi Nhà Đức, 33 Lê Duẩn
Phường Bến Nghé, Quận 1, Thành Phố Hồ Chí Minh

Tel.: (028) 6258 3690

Fax: (028) 6258 3692 - 6258 3694

Hotline: (028) 6250 8555

Email: tuvankhachhang-pt@vn.bosch.com

www.bosch-pt.com.vn

www.baohanhbosch-pt.com.vn

Campuchia

Công ty TNHH Robert Bosch (Campuchia)
Đơn nguyên 8BC, GT Tower, Tầng 08, Đường 169,
Tiệp Khắc Blvd, Sangkat Veal Vong,
Khan 7 Makara, Phnom Penh

VAT TIN: 100 169 511

Tel.: +855 23 900 685

Tel.: +855 23 900 660

www.bosch.com.kh

مخصص للاستعمال الخارجي من خطر الصدمات الكهربائية.

◀ **إن لم يكن بالإمكان تجنب تشغيل العدة الكهربائية في الأجواء الرطبة، فاستخدم مفتاح للوقاية من التيار المتخلف.** إن استخدام مفتاح للوقاية من التيار المتخلف يقلل خطر الصدمات الكهربائية.

أمان الأشخاص

◀ **كن يقظا وانتبه إلى ما تفعله واستخدم العدة الكهربائية بتعقل.** لا تستخدم عدة كهربائية عندما تكون متعبا أو عندما تكون تحت تأثير المخدرات أو الكحول أو الأدوية. عدم الانتباه للحظة واحدة عند استخدام العدة الكهربائية قد يؤدي إلى إصابات خطيرة.

◀ **قم لارتداء تجهيزات الحماية الشخصية. وارتد دائما نظارات واقية.** يعد ارتداء تجهيزات الحماية الشخصية، كقناع الوقاية من الغبار وأحذية الأمان الواقية من الانزلاق والحدوث أو واقية الأذنين، حسب ظروف استعمال العدة الكهربائية، من خطر الإصابة بجروح.

◀ **تجنب التشغيل بشكل غير مقصود.** تأكد من كون العدة الكهربائية مطفأة قبل توصيلها بالتيار الكهربائي و/أو بالمركم، وقبل رفعها أو حملها. إن كنت تضع إصبعك على المفتاح أثناء حمل العدة الكهربائية أو إن وصلت الجهاز بالشبكة الكهربائية بينما لامفتاح على وضع التشغيل، قد يؤدي إلى وقوع الحوادث.

◀ **انزع أداة الضبط أو مفتاح الربط قبل تشغيل العدة الكهربائية.** قد تؤدي الأداة أو المفتاح المتواجد في جزء دوار من الجهاز إلى الإصابة بجروح.

◀ **تجنب أوضاع الجسم غير الطبيعية.** قف بأمان وحافظ على توازنك دائما. سيسمح لك ذلك بالتمكّن في الجهاز بشكل أفضل في المواقف الغير متوقعة.

◀ **قم بارتداء ثياب مناسبة.** لا ترتد الثياب الفضفاضة أو الملّية. احرص على إبقاء الشعر والملابس بعيدا عن الأجزاء المتحركة. قد تشابك الثياب الفضفاضة والملّية والشعر الطويل بالأجزاء المتحركة.

◀ **إن جاز تركيب تجهيزات شفط وتجميع الغبار، فتأكد من أنها موصولة وبأنه يتم استخدامها بشكل سليم.** قد يقلل استخدام تجهيزات لشفط الغبار من المخاطر الناتجة عن الغبار.

◀ **لا تستخدم العدة الكهربائية بلا مبالاة وتجاهل قواعد الأمان الخاصة بها نتيجة لتعودك على استخدام العدة الكهربائية وكثرة استخدامها.** فقد يتسبب الاستعمال دون حرص في حدوث إصابة بالغة تحدث في أجزاء من الثانية.

حسن معاملة واستخدام العدد الكهربائية

◀ **لا تفرط بتحميل الجهاز. استخدم لتفنيذ أشغالك العدة الكهربائية المخصصة لذلك.** إنك تعمل بشكل أفضل وأكثر أماناً بواسطة العدة الكهربائية الملائمة في مجال الأداء المذكور.

◀ **لا تستخدم العدة الكهربائية إن كان مفتاح تشغيلها تالف.** العدة الكهربائية التي لم يعد من

عربي

إرشادات الأمان

الإرشادات العامة للأمان بالعدد الكهربائية

تحذير

اطلع على كافة تحذيرات الأمان والتعليمات والصور والمواصفات المرفقة بالعدة الكهربائية. عدم اتباع التعليمات الواردة أدناه قد يؤدي إلى حدوث صدمة كهربائية، إلى نشوب حريق و/أو الإصابة بجروح خطيرة.

احتفظ بجميع الملاحظات التحذيرية والتعليمات للمستقبل.

يقصد بمصطلح «العدة الكهربائية» المستخدم في الملاحظات التحذيرية، العدد الكهربائي الموصولة بالشبكة الكهربائية (بواسطة كابل الشبكة الكهربائية) وأيضا العدد الكهربائي المزودة بمركم (دون كابل الشبكة الكهربائية).

الأمان بمكان الشغل

◀ **حافظ على نظافة مكان شغلك وإضاءته بشكل جيد.** الفوضى في مكان الشغل ونطاقات العمل غير المضأة قد تؤدي إلى وقوع الحوادث.

◀ **لا تشغل بالعدة الكهربائية في نطاق معرض لخطر الانفجار مثل الأماكن التي تتوفر فيه السوائل أو الغازات أو الأبخرة القابلة للاشتعال.** العدد الكهربائي تولد شررا قد يتطاير، فيشعل الأبخرة والأبخرة.

◀ **حافظ على بقاء الأطفال وغيرهم من الأشخاص بعيدا عندما تستعمل العدة الكهربائية.** تشتيت الانتباه قد يتسبب في فقدان السيطرة على الجهاز.

الأمان الكهربائي

◀ **يجب أن يتلائم قابس العدة الكهربائية مع المقبس.** لا يجوز تغيير القابس بأي حال من الأحوال. لا تستعمل القوايس المهائية مع العدد الكهربائية المؤرضة (ذات طرف أرضي). تخفّض القوايس التي لم يتم تغييرها والمقابس الملائمة من خطر الصدمات الكهربائية.

◀ **تجنب ملامسة جسمك للأسطح المؤرضة كالأنابيب والمبردات والمواقد أو التلاجات.** يزداد خطر الصدمات الكهربائية عندما يكون جسمك مَوْض أو موصل بالأرضي.

◀ **أبعد العدة الكهربائية عن الأمطار أو الرطوبة.** يزداد خطر الصدمات الكهربائية إن تسرب الماء إلى داخل العدة الكهربائية.

◀ **لا تسيّ استعمال الكابل.** لا تستخدم الكابل في حمل العدة الكهربائية أو سحبها أو سحب القابس من المقبس. احرص على إبعاد الكابل عن الحرارة والزيت والحواف الحادة أو الأجزاء المتحركة. تزيد الكابلات التالفة أو المتشابكة من خطر الصدمات الكهربائية.

◀ **عند استخدام العدة الكهربائية خارج المنزل اقتصر على استخدام كابلات التمديد الصالحة للاستعمال الخارجي.** يقلل استعمال كابل تمديد

التي تدور بسرعة تزيد عن السرعة المسموحة، قد تنكسر وتتطاير.

◀ **يجب أن تناسب لقمة الفرز والتوابع الأخرى** حاضن العدة (ملقمة التثبيت) لعدتك الكهربائية بالضبط. إن عدد الشغل التي لا تتلائم مع حاضن عدد العدة الكهربائية بشكل دقيق تدور بشكل غير منظم وتهتز بشدة وقد تؤدي إلى فقدان التحكم بالعدة.

◀ **وجه العدة الكهربائية نمو قطعة الشغل فقط** عندما تكون في حالة التشغيل. قد يتشكل خطر الصدمات الارتدادية إن تكلبت عدة الشغل في قطعة الشغل.

◀ **لا تقوم بالتفريز أبداً عبر القطع المعدنية أو المسامير واللواكب.** قد تتلف لقمة الفرز، فتؤدي إلى اهتزازات زائدة.

◀ **استخدم أجهزة تنقيب ملائمة للعثور على خطوط الإمداد غير الظاهرة، أو استعن بشركة الإمداد المحلية.** ملائمة الخطوط الكهربائية قد تؤدي إلى اندلاع النار وإلى الصدمات الكهربائية. حدوث أضرار ببط الغاز قد يؤدي إلى حدوث انفجارات. احتراق خط الماء بشكل الأضرار المادية أو قد يؤدي إلى الصدمات الكهربائية.

◀ **لا تستخدم لقم الفرز الثالثة أو الثالثة.** إن لقم الفرز الثالثة أو الثالثة تنبع احتكاك زائد، وقد تنقمت وتؤدي إلى اختلال التوازن.

◀ **انتظر إلى أن تتوقف العدة الكهربائية عن الحركة قبل أن تضعها جانباً.** قد تكلب عدة الشغل فتؤدي إلى فقدان السيطرة على العدة الكهربائية.

وصف المنتج والأداء

اقرأ جميع إرشادات الأمان والتعليمات. ارتكاب الأخطاء عند تطبيق إرشادات الأمان والتعليمات، قد يؤدي إلى حدوث صدمات كهربائية أو إلى نشوب الحرائق و/أو الإصابة بجروح خطيرة.



يرجى الرجوع إلى الصور الموجودة في الجزء الأول من دليل التشغيل.

الاستعمال المخصص

لقد خصصت العدة الكهربائية لفرز الحزوز والموايف والأشكال الجانبية والثقوب الطولية بالخشب واللداين ومواد البناء الخفيفة بالتركيز الثابت وتصلح أيضاً لفرز النسخ.

الأجزاء المصورة

يشير ترقيم الأجزاء المصورة إلى رسوم العدة الكهربائية الموجودة في صفحة الرسوم التخطيطية.

- (1) وحدة الدفع
- (2) سلة الفرز
- (3) حامل فحم التليخ
- (4) صامولة توجيه لقمة الفرز
- (5) حارفة النشارة
- (6) لقمة الفرز^(A)

الممكن التحكم بها عن طريق مفتاح التشغيل والإطفاء تعتبر خطيرة ويجب أن يتم إصلاحها.

◀ **اسحب القابس من المقبس و/أو اخلع** المركم، إذا كان قابلاً للخلع، قبل ضبط الجهاز وقبل استبدال الملحقات أو قبل تخزين الجهاز. تمنع هذه الإجراءات وقائية تشغيل العدة الكهربائية بشكل غير مقصود.

◀ **احتفظ بالعدد الكهربائية التي لا يتم استخدامها بعيداً عن متناول الأطفال.** لا تسمح باستخدام العدة الكهربائية لمن لا خبرة له بها أو لمن لم يقرأ تلك التعليمات. العدد الكهربائية خطيرة إن تم استخدامها من قبل أشخاص دون خبرة.

◀ **اعتن بالعدة الكهربائية والملحقات بشكل جيد.** تأكد أن أجزاء الجهاز المتحركة مركبة بشكل سليم وغير مستعصية عن الحركة، وتفحص ما إن كانت هناك أجزاء مكسورة أو في حالة تؤثر على سلامة أداء العدة الكهربائية. ينبغي إصلاح هذه الأجزاء التالفة قبل إعادة تشغيل الجهاز. الكثير من الموادث مصدرها العدد الكهربائية التي تتم صيانتها بشكل رديء.

◀ **احرص على إبقاء عدد القطع نظيفة وحادة.** إن عدد القطع ذات حواف القطع المادة التي تم صيانتها بعناية تتكلم بشكل أقل ويمكن توجيهها بشكل أسير.

◀ **استخدم العدد الكهربائية والتوابع وربش الشغل إلخ.** وفقاً لهذه التعليمات. تراعى أثناء ذلك ظروف الشغل والعمل المراد تنفيذه. استخدام العدد الكهربائية لغير الأشغال المخصصة لأجلها قد يؤدي إلى حدوث الحالات الخطيرة.

◀ **احرص على إبقاء المقابض وأسطح المسك جافة ونظيفة وخالية من الزيوت والشحوم.** المقابض وأسطح المسك الزلقة لا تتبع التشغيل والتحكم الأمان في العدة في المواقف غير المتوقعة.

الخدمة

◀ **احرص على إصلاح عدتك الكهربائية فقط بواسطة العمال المتخصصين وباستعمال قطع الغيار الأصلية فقط.** يضمن ذلك المحافظة على أمان الجهاز.

إرشادات الأمان لماكينات تفريز الحواف

◀ **أمسك العدة الكهربائية من أسطح المسك المعزولة فقط، حيث يمكن للقاطعة أن تلامس السلك الخاص بها.** قطع سلك «مكهرب» قد يتسبب في مرور التيار في الأجزاء المعدنية من العدة وجعلها «مكهربة» مما قد يصيب المشغل بصدمة كهربائية.

◀ **استخدم قامطات أو طريقة عملية أخرى لتأمين قطعة الشغل وتدعيمها على منصة ثابتة.** مسك قطعة الشغل بيدك أو سندها على جسمك يجعلها غير ثابتة وقد يؤدي إلى فقدان السيطرة.

◀ **يجب أن يوافق عدد لفات لقمة الفرز المسموح به عدد اللفات الأقصى المذكور على العدة الكهربائية على الأقل.** إن لقم الفرز

- اخلع وحدة الدفع بجذبها إلى أعلى.
- تغيير الظرف الطوقي (انظر الصورة B)**
تبعاً للكمة الفرز المستخدمة، يجب تغيير صامولة الوصل باستخدام الظرف الطوقي قبل تركيب لكمة الفرز (7).
- إذا كان الظرف الطوقي المناسب للكمة الفرز مركباً بالفعل، فقم بتنفيذ خطوات العمل الواردة في الجزء التالي.
- يجب تركيب الظرف الطوقي (13) بنسبة من التفاوت في صامولة الزنق. يجب أن يكون تركيب صامولة الزنق (7) سهلاً. إن كان هناك تلف بصامولة الزنق أو بالظرف الطوقي، يتوجب استبدالهما فوراً.
- ضع المفتاح الهلالي (15) على حاضن العدة (14) (انظر الصورة C1).
- قم بفك صامولة الوصل (7) بإدارتها عكس اتجاه عقارب الساعة باستخدام المفتاح الهلالي (16). عند الضرورة، نظف قبل التركيب جميع القطع المرغوب تركيبها باستخدام فرشاة ناعمة أو من خلال نفخها بالهواء المضغوط.
- ضع صامولة الزنق الجديدة على حاضن العدة (14). شد صامولة الزنق دون إحكام.
- ◀ لا تتم أبداً بإحكام ربط الظرف الطوقي مع صامولة الزنق طالما أن لكمة الفرز غير مركبة. وإلا فقد يتعرض الظرف الطوقي للضرر.

- تركيب لكمة الفرز (انظر الصورة C1 - C2)**
تتوفر لقم الفرز بطرازات ونوعيات مختلفة حسب غرض الاستخدام المطلوب.
- تعد لقم الفرز المصنوعة من الفولاذ عالي الكفاءة وسريع القطع (HSS)** مناسبة للعمل على المواد اللينة مثل الخشب اللين والبلاستيك.
- لقم الفرز ذات حواف القطع من المعدن الصلب (HM)** تلائم بشكل خاص الفامات الصلبة والملاكة مثل الخشب الصلب والألومنيوم.
- يمكنك الحصول على عدد الفرز الأصلية من برنامج بوش للملحقات أو من التاجر المتخصص.
- ركب لقم الفرز السليمة والنظيفة فقط.

- تركيب سلة الفرز (انظر الصورة A)**
للقيام بعملية الفرز، يجب تركيب سلة الفرز (2) مرة أخرى على وحدة الدفع (1).
- افتح اللولب المجمع (10) بسلة الفرز (2). أدخل وحدة الدفع (1) في سلة الفرز (2). أغلق اللولب المجمع (10) بسلة الفرز (2).
- ◀ تأكد دائماً بعد التركيب من إحكام تثبيت وحدة الدفع في سلة الفرز.

شفط الغبار/النشارة

إن أغبرة بعض المواد كالبلاء الذي يحتوي على الرصاص، وبعض أنواع الخشب والفلات والمعادن، قد تكون مضرّة بالصحة. إن ملامسة أو استنشاق الأغبرة قد يؤدي إلى ردود فعل زائدة الحساسية و/أو إلى أمراض المجاري التنفسية لدى المستخدم أو لدى الأشخاص المتواجدين على مقربة من المكان. تعتبر بعض الأغبرة المعينة، كأغبرة البليوط والزان من مسببات السرطان، وبالأخص عند اتصالها بالمواد الإضافية الخاصة بمعالجة الخشب (ملح حامض

- (7) صامولة زنق مع ظرف طوقي
(8) اللوح الانزلاقي
(9) صفيحة القاعدة
(10) اللولب المجمع لسلة الفرز
(11) مفتاح التشغيل والإطفاء
(12) مقياس ضبط عمق الفرز
(13) الظرف الطوقي
(14) حاضن العدة
(15) مفتاح هلالتي (10 مم)^(A)
(16) مفتاح هلالتي (17 مم)^(A)
(17) جلبة النسخ^(A)
(18) مصد التوازي^(A)
(19) لولب مجنح لمصد التوازي^(A)
(20) مساعد التوجيه^(A)
(21) لولب مجنح لتثبيت الاستواء الأفقي^(A)
(22) لولب مجنح للاستواء الأفقي الخاص بمساعد التوجيه^(A)
(23) بكرة الانزلاق^(A)
(24) مقبض (مقبض مسك معزول)
(A) لا يتضمن إطار التوريد الاعتيادي التوابع المصورة أو المشروحة. تجد التوابع الكاملة في برنامجنا للتوابع.

البيانات الفنية

فارزة حواف		GKF 550
رقم الصنف		3 601 FA0 0..
قدرة الدخل الاسمية	واط	550
عدد اللفات اللاحملي	دقيقة ¹	33000
حاضن العدة	مم بوصة	6 ¼
الوزن حسب EPTA-Procedure 01:2014	كجم	1,4
فئة الحماية		II/□

تسري البيانات على جهد اسمي [U] يبلغ 230 فلت. قد تختلف تلك البيانات حسب اختلاف الجهد والطرازات الخاصة بكل دولة.

التركيب

- ◀ اسحب القابس من مقبس الشبكة الكهربائية قبل إجراء أي عمل على العدة الكهربائية.

استبدال العدد

- ◀ ينصح بارتداء قفازات واقية عند تركيب واستبدال لقم الفرز.

يمكنك الحصول على عدد الفرز الأصلية من برنامج Bosch للملحقات أو من التاجر المتخصص.

خلع سلة الفرز (انظر الصورة A)

- قبل تركيب لكمة الفرز، يجب أولاً فصل سلة الفرز (2) عن وحدة الدفع (1).
- افتح اللولب المجمع (10) بسلة الفرز (2).

شغل العدة الكهربائية ووجهها نحو المكان المرغوب معالجته.
أوقف العدة الكهربائية بعد إنهاء الفرز.

◀ **لا تترك العدة الكهربائية أبدًا إلا عند توقف لقمة الفرز عن الحركة تمامًا.** الدوران المتباعد لعدد الشغل قد ينتج عنه إصابات.

التفريز مع جلبية النسخ (انظر الصورة E1 - E3)
بمساعدة جلبية النسخ (17) يمكن نقل الملامح من النماذج أو القوالب لقطعة الشغل.

اختر جلبية النسخ المناسبة حسب سمك القالب أو النموذج. نظرًا للارتفاع الكبير لجلبية النسخ يجب ألا يقل سمك القالب عن 8 مم (انظر الصورة E1).

◀ **اختر لقمة فرز قطرها أصغر من القطر الداخلي لجلبية النسخ.**

قم بفك اللوالب الأسطوانية الرأس الأربعة الموجودة بالجانب السفلي من اللوح الانزلاقي (8) وأخلع اللوح الانزلاقي.
قم بتركيب جلبية النسخ (17) في صفيحة الازلاق (انظر الصورة E2).

اربط اللوح الانزلاقي المفكوك مرة أخرى على صفيحة القاعدة (9). يجب أن يبقى اللوح الانزلاقي طليق الحركة.

لكي يكون البعد بين منتصف لقمة الفرز وحافة جلبية النسخ متساويًا في كل الأماكن، فقد يتوجب عند الضرورة ضبط مركزه جلبية النسخ واللوح الانزلاقي بالنسبة بالنسبة لبعضهم بعضًا.
- وجه اللوح الانزلاقي بحيث تتمركز لقمة الفرز وجلبية النسخ لتواجه الفتحة في اللوح الانزلاقي (انظر الصورة E3).

- حافظ على اللوح الانزلاقي بهذا الوضع وأحكم شد اللوالب الثابت.

للقيام بعملية الفرز باستخدام جلبية النسخ (17) تصرف كالتالي:

- ضع العدة الكهربائية مع جلبية النسخ (17) على القالب.
- وجه العدة الكهربائية مع جلبية النسخ البارزة بضغط جانبي خفيف على امتداد مسار القالب.

فرز الحواف أو الأشكال (انظر الصورة F)

عند فرز الحواف أو الأشكال دون مصد التوازي يجب أن تكون لقمة الفرز مجهزة بمحمل كريات أو بمحمل كريات.

وجه العدة الكهربائية بعد تشغيلها نحو قطعة الشغل من الجانب إلى أن يتلامس الودت الدليلي أو محمل الكريات الخاص بلقمة الفرز مع حافة قطعة الشغل المرغوب معالجتها.

وجه العدة الكهربائية على امتداد مسار حافة قطعة الشغل. انتبه أثناء ذلك على تركيبها بشكل يوافق الزاوية المطلوبة. قد يؤدي الضغط الزائد إلى إتلاف حافة قطعة الشغل.

الفرز مع مصد التوازي (انظر الصورة G)

للقطع المتوازي للحواف، يمكنك تركيب مصد التوازي (18).

قم بتثبيت مصد التوازي (18) على سلة الفرز (2) باستخدام اللولب الممزر (4).

الكروميك، المواد المافظة للخشبي). يجوز أن يتم معالجة المواد التي تحتوي على الأسبستوس من قبل العمال المتخصصين فقط دون غيرهم.

- حافظ على تهوية مكان الشغل بشكل جيد.
- ينصح بارتداء قناع وقاية للتنفس من فئة المرشح P2.

تراعي الأحكام السارية في بلدكم بالنسبة للمواد المرغوب معالجتها.

◀ **تجنب تراكم الغبار بمكان العمل.** يجوز أن تشتعل الأغبرة بسهولة.

التشغيل

◀ **يراعى جهد الشبكة الكهربائية! يجب أن يتطابق جهد منبع التيار مع البيانات المذكورة على لوحة صنع العدة الكهربائية. يمكن أن يتم تشغيل العدد الكهربائية المميزة بعلامة 230 فلت في مقبس 220 فلت أيضًا.**

ضبط عمق الفرز

◀ **يمكن ضبط عمق الفرز فقط عند إيقاف العدة الكهربائية.**

لضبط عمق الفرز التقريبي تتبع الإجراءات التالية:

- ضع العدة الكهربائية مع لقمة الفرز التي تم تركيبها على قطعة الشغل المرغوب معالجتها.
- افتح اللولب المجنح (10) بسلة الفرز (2).
- حرك وحدة الدفع (1) إلى العمق المرغوب باستخدام مقياس ضبط عمق الفرز (12).
- أغلق اللولب المجنح (10) على سلة الفرز (2).
- افحص عمق الفرز المضبوط من خلال التجربة العملية وضحمه إذا لزم الأمر.

بدء التشغيل

التشغيل والإطفاء

لغرض تشغيل العدة الكهربائية اضبط مفتاح التشغيل والإطفاء (11) على الوضع 1.

لغرض إطفاء العدة الكهربائية اضبط مفتاح التشغيل والإطفاء (11) على الوضع 0.

إرشادات العمل

◀ **قم بحماية لقم الفرز من الدفع والصدمات.**
◀ **اسحب القابس من مقبس الشبكة الكهربائية قبل إجراء أي عمل على العدة الكهربائية.**

اتجاه الفرز وعملية الفرز (انظر الصورة D)

◀ **يجب أن تتم عملية الفرز دائمًا عكس اتجاه دوران لقمة الفرز (6) (دوران عكسي).** في حالة الفرز في اتجاه الدوران (دوران في نفس الاتجاه) يمكن أن تنزلق العدة الكهربائية من يدك.

◀ **لا تستعمل العدة الكهربائية إلا عند تركيب سلة الفرز (2).** فقدان التحكم في العدة الكهربائي، فقد ينتج عنه الإصابة بجروح.

ملاحظة: يراعى دائمًا خلع لقمة الفرز (6) من صفيحة القاعدة (9). لا تتلف القالب أو قطعة الشغل.

قم بضبط عمق الفرز المرغوب.

البحرين

شركة الجفلي وإخوانه للمعدات الفنية.
مملكة البحرين، العكر - بلوك 0624 - شارع 2403 -
مبنى 0055D
الهاتف: +97317704537
فاكس: +973177045257
البريد الإلكتروني: h.berjas@ejb.com.sa

مصر

RBEG-LLC
22 كمال الدين حسين
شيراتون هليوبوليس
11799 القاهرة
البريد الإلكتروني:
boschegypt.powertools@eg.bosch.com

العراق

Sahba Technology Group
شارع مطار المثنى
بغداد
هاتف بغداد: +964 (0) 7 901 930366
هاتف دبي: +971 (0) 4 422 1898
البريد الإلكتروني: duraid@sahbatechnology.com

الأردن

شركة الجذور العربية Roots Arabia - الأردن
شارع الحرية، المقابلين
عمان 11623، الأردن
صندوق بريد: 110068
هاتف: +962 6 4398990
البريد الإلكتروني: bosch@rootsjordan.com

الكويت

منطقة الشويخ الصناعية، مبنى 1، قطعة 16، شارع
رقم 3
صندوق بريد صندوق 164 - 13002 الصفاة
هاتف: 24810844
فاكس: 24810879
بريد إلكتروني: josephkr@aaalmutawa.com

لبنان

طحيني هنا وشركاه ش.ذ.م.م.
صندوق بريد صندوق 90-449
جديده
الدورة-بيروت
هاتف: +9611255211
بريد إلكتروني: service-pt@tehini-hana.com

المغرب

Robert Bosch Morocco SARL
53، شارع الملازم محمد محروود
20300 الدار البيضاء
الهاتف: +212 5 29 31 43 27
البريد الإلكتروني: sav.outillage@ma.bosch.com

عمان

ملتن للتجارة والمقاولات ش. م. م.
صندوق بريد 131، روى، مسقط
الكود البريدي: 112، سلطنة عمان
هاتف: +968 2479 4035/4089/4901
جوال: +968-91315465
فاكس: +968 2479 4058
البريد الإلكتروني: sudhirkumar@malatan.net

اضبط العمق المرغوب للمصد باستخدام اللولب
المجنع الموجود على مصد التوازي (19).
وجه العدة الكهربائية بعد تشغيلها بدفع أمامي
منتظم وبضغط جانبي على مصد التوازي على امتداد
مسار حافة قطعة الشغل.

الفرز مع مساعد التوجيه (انظر الصورة H)

يستخدم مساعد التوجيه (20) دون خوابير دليلية أو
محمل كريات في فرز الحواف باستخدام لقم الفرز.
قم بتثبيت مساعد التوجيه على سلة الفرز (2)
باستخدام الصامولة (4).

وجه العدة الكهربائية بدفع أمامي منتظم على
امتداد مسار حافة قطعة الشغل.

المساف الجانبية: لمنع إزالة أجزاء من المواد،
يمكنك ضبط المسافة الجانبية بين قطعة الشغل
وبكرة الانزلاق (23) المتاحة على مساعد
التوجيه (20).

قم بفك اللولب المجنec (21)، واضبط المسافة
الجانبية المرادة عبر إدارة اللولب المجنec (22) واربط
اللولب المجنec مرة أخرى بإحكام (21).

عالي: اضبط المحاذاة الرأسية لمساعد التوجيه تبعاً
لللمعة الفرز المستخدمة ومدى سمك قطعة الشغل
المراد معالجتها.

قم بفك الصامولة (4) من مساعد التوجيه وحرك
مساعد التوجيه إلى الموضع المرغوب واربط اللولب
مرة أخرى بإحكام.

الصيانة والخدمة**الصيانة والتنظيف**

◀ اسحب القابس من مقبس الشبكة الكهربائية
قبل إجراء أي عمل على العدة الكهربائية.
◀ للعمل بشكل جيد وأمن حافظ دائماً على
نظافة العدة الكهربائية وفتحات التهوية.

إذا تطلب الأمر استبدال خط الإمداد، فينبغي أن يتم
ذلك من قبل شركة Bosch أو من قبل مركز خدمة
الزبائن المعتمد لشركة Bosch للعدد الكهربائية،
لتجنب التعرض للمخاطر.

خدمة العملاء واستشارات الاستخدام

يجيب مركز خدمة العملاء على الأسئلة المتعلقة بإصلاح
المنتج وصيانتته، بالإضافة لقطع الغيار. تجد الرسوم
التفصيلية والمعلومات الخاصة بقطع الغيار في

الموقع: www.bosch-pt.com

يسر فريق Bosch لاستشارات الاستخدام مساعدتك
إذا كان لديك أي استفسارات بخصوص منتجاتنا
وملحقاتها.

يلزم ذكر رقم الصنف ذو الخانات العشر وفقاً للوحة
صنع المنتج عند إرسال أية استفسارات أو طلبيات
قطع غيار.

الجزائر

سيستال
منطقة المدادين الصناعية
06000 بباية
هاتف: +213 (0) 982 400 991/2
فاكس: +213 (0) 3 420 1569
بريد إلكتروني: sav@siestal-dz.com

قطر

الدولية لملول البناء ش.م.م.
صندوق بريد صندوق 51،
هاتف الدوحة: +974 40065458
فاكس: +974 4453 8585
بريد إلكتروني: csd@icsdoha.com

المملكة العربية السعودية

شركة الجفلي للمعدات الفنية (ميتكو)
صندوق بريد: 1049 - جدة 21431 - المملكة العربية
السعودية
جدة: 00966 (0) 12 692 0770 - داخلي 433
الرياض: 00966 (0) 11 409 3976 -
داخلي-30/34/39
الدمام: 00966 (0) 13 833 9565
البريد الإلكتروني: M.Zreik@eajb.com.sa

سوريا

مؤسسة دلال للمعدات الكهربائية
دمشق. شارع البرامكة - شارع بن عامر
هاتف: +963112241006 أو 009631122414009
الجوال: 00963991141005
البريد الإلكتروني: rita.dallal@hotmail.com

تونس

روبرت بوش تونس ش.ذ.م.م.
7 زنقة ابن بطوطة Z.a. سان جوبان
مقرين رياض
2014 ابن عروس
هاتف: +216 71 427 496/879
فاكس: +216 71 428 621
بريد إلكتروني: sav.outillage@tn.bosch.com

الإمارات العربية المتحدة

المركزية للسيارات والمعدات،
صندوق بريد 26255، دبي
دبي: 00971 (0) 4 3090920/3090930
أبو ظبي: 00971 (0) 2 4017745
الشارقة: 00971 (0) 6 5932777
العين: 00971 (0) 3 7157419
البريد الإلكتروني:
Mallappa.Madari@centralmotors.ae

اليمن

مؤسسة أبو الرجال التجارية
صنعاء، شارع الزبيري. أمام مبنى البرلمان الجديد
هاتف: +967-1-202010
فاكس: +967-1-471917
بريد إلكتروني: /tech-tools@abualrejal.com
yahya@abualrejal.com

التخلص من العدة الكهربائية

ينبغي تسليم العدد الكهربائي والتوابع والعبوة إلى
مركز معالجة النفايات بطريقة محافظة على البيئة.
لا ترم العدد الكهربائي ضمن النفايات
المنزلية.



فارسی

دستورات ایمنی

نکات ایمنی عمومی برای ابزارهای برقی

هشدار

کلیه هشدارها،

دستورالعملها، تصاویر و

مشخصات ارائه شده به همراه ابزار برقی را

مطالعه کنید. اشتباهات ناشی از عدم رعایت این

دستورات ایمنی ممکن است باعث برق گرفتگی،

سوختگی و یا سایر جراحات های شدید شود.

کلیه هشدارهای ایمنی و راهنماییها را برای

آینده خوب نگهداری کنید.

عبارت «ابزار برقی» در هشدارها به ابزارهایی که به

پریز برق متصل میشوند (با سیم برق) و یا ابزارهای

برقی باتری دار (بدون سیم برق) اشاره دارد.

ایمنی محل کار

محیط کار را تمیز و روشن نگه دارید. محیطهای

در هم ریخته یا تاریک احتمال بروز حادثه را

افزایش میدهند.

ابزار برقی را در محیطهایی که خطر انفجار

وجود دارد و حاوی مایعات، گازها و بخارهای

مخترقه هستند، به کار نگیرید. ابزارهای برقی

چرقههایی ایجاد میکنند که میتوانند باعث آتش

گرفتن گرد و غبارهای موجود در هوا شوند.

هنگام کار با ابزار برقی، کودکان و سایر

افراد را از دستگاه دور نگه دارید. در

صورتیکه حواس شما پرت شود، ممکن است کنترل

دستگاه از دست شما خارج شود.

ایمنی الکتریکی

دوشاخه ابزار برقی باید با پریز برق تناسب

داشته باشد. هیچگونه تغییری در دوشاخه

ایجاد نکنید. مبدل دوشاخه نباید همراه با

ابزار برقی دارای اتصال زمین استفاده شود.

دوشاخههای اصل و تغییر داده نشده و پریزهای

مناسب، خطر برق گرفتگی را کاهش میدهند.

از تماس بدنی با قطعات متصل به سیم

اتصال زمین مانند لوله، شوفاژ، اجاق برقی و

یخچال خودداری کنید. در صورت تماس بدنی با

سطوح و قطعات دارای اتصال به زمین و همچنین

تماس شما با زمین، خطر برق گرفتگی افزایش

می یابد.

ابزارهای برقی را در معرض باران و رطوبت

قرار ندهید. نفوذ آب به ابزار برقی، خطر شوک

الکتریکی را افزایش میدهد.

از سیم دستگاه برای مقاصد دیگر استفاده

نکنید. هرگز برای حمل ابزار برقی، کشیدن آن

یا خارج کردن دوشاخه از سیم دستگاه

استفاده نکنید. کابل دستگاه را از حرارت،

روغن، لیبهای تیز یا قطعات متحرک دور نگه

دارید. کابلهای آسیب دیده و یا گره خورده خطر

شوک الکتریکی را افزایش میدهند.

هنگام استفاده از ابزار برقی در محیطهای باز،

تنها از کابل رابطی استفاده کنید که برای

محیط باز نیز مناسب باشد. کابل های رابط

مناسب برای محیط باز، خطر برق گرفتگی را کم می کنند.

در صورت لزوم کار با ابزار برقی در محیط و

اماکن مرطوب، باید از یک کلید حفاظتی جریان

خطا و نشتی زمین (کلید قطع کننده اتصال با

زمین) استفاده کنید. استفاده از کلید حفاظتی

جریان خطا و نشتی زمین خطر برق گرفتگی را

کاهش می دهد.

رعایت ایمنی اشخاص

حواس خود را خوب جمع کنید، به کار خود

دقت کنید و با فکر و هوشیاری کامل با ابزار

برقی کار کنید. در صورت خستگی و یا در

صورتی که مواد مخدر، الکل و دارو استفاده

کردهاید، با ابزار برقی کار نکنید. یک لحظه بی

توجهی هنگام کار با ابزار برقی، میتواند جرات

های شدیدی به همراه داشته باشد.

از تجهیزات ایمنی شخصی استفاده کنید.

همواره از عینک ایمنی استفاده نمایید.

استفاده از تجهیزات ایمنی مانند ماسک ضد گرد و

غبار، کفشهای ایمنی ضد لغزش، کلاه ایمنی و

گوشی محافظ متناسب با نوع کار با ابزار برقی،

خطر مجروح شدن را کاهش میدهد.

مواظب باشید که ابزار برقی بطور ناخواسته

بکار نیفتد. قبل از وارد کردن دوشاخه

دستگاه در پریز برق، اتصال آن به باتری،

برداشتن آن و یا حمل دستگاه، باید دقت

کنید که ابزار برقی خاموش باشد. در صورتی

که هنگام حمل دستگاه انگشت شما روی دکمه

قطع و وصل باشد و یا دستگاه را در حالت روشن

به برق بزنید، ممکن است سوانع کاری پیش آید.

قبل از روشن کردن ابزار برقی، همه ابزارهای

تنظیم کننده و آپارها را از روی دستگاه

بردارید. ابزار و آپارهایی که روی بخش های

چرخنده دستگاه قرار دارند، میتوانند باعث ایجاد

جرات شوند.

وضعیت بدن شما باید در حالت عادی قرار

داشته باشد. برای کار جای مطمئنی برای

خود انتخاب کرده و تعادل خود را همواره

حفظ کنید. به این ترتیب میتوانید ابزار برقی را در

وضعتهای غیر منتظره بهتر تحت کنترل داشته

باشید.

لباس مناسب بپوشید. از پوشیدن لباسهای

گشاد و حمل زینت آلات خودداری کنید.

موها و لباس خود را از بخشهای در حال

چرخش دستگاه دور نگه دارید. لباسهای گشاد،

موی بلند و زینت آلات ممکن است در قسمتهای

در حال چرخش دستگاه گیر کنند.

در صورتی که تجهیزاتی برای اتصال وسائل

مکش گرد و غبار و یا وسیله جمع کننده گرد

و غبار ارائه شده است، باید مطمئن شوید که

این وسائل درست نصب و استفاده

می شوند. استفاده از وسائل مکش گرد و غبار

مصونیت شما را در برابر گرد و غبار زیاده تر میکند.

آشنایی با ابزار به دلیل کار کردن زیاد با آن

نباید باعث سهل انگاری شما و نادیده گرفتن

اصول ایمنی شود. بی دقتی ممکن است باعث

بروز جراحاتی در عرض کسری از ثانیه شود.

- ◀ جهت ایمن و تثبیت کردن قطعه کار از گیره را یا سایر راههای تثبیت قطعه کار استفاده کنید. نگهداشتن قطعه کار با دست یا تکیه دادن آن به بدن باعث بی ثباتی آن و از دست دادن کنترل روی آن می گردد.
- ◀ سرعت مجاز فرزکاری باید حداقل معادل با حداکثر سرعت تعیین شده روی ابزار برقی باشد. فرزی که بیش از حد مجاز بچرخد، ممکن است بشکند و به اطراف پرتاب شود.
- ◀ تیغه فرز یا سایر متعلقات بایستی دقیقاً در ابزارگیر (کولت) ابزار برقی شما جای گیرند. ابزار و متعلقاتی که کاملاً منطبق با ابزارگیر دستگاه نباشند، چرخش نامنظم و نوسان های شدیدی داشته و می توانند منجر به از دست دادن کنترل بشوند.
- ◀ ابزار برقی را تنها در حال روشن بودن به طرف قطعه کار برانید. در غیر اینصورت ممکن است ابزار روی دستگاه در قطعه کار گیر کرده و باعث ضربه زدن (پس زدن) دستگاه شود.
- ◀ روی سطح اشیاء فلزی، میخها یا پیچها را فرز نکنید. امکان آسیب دیدن تیغه فرز و در نتیجه ارتعاش و نوسان شدید دستگاه وجود دارد.
- ◀ برای پیدا کردن لوله ها و سیم های پنهان موجود در ساختمان و محدود کار، از یک دستگاه ردیاب مخصوص برای یافتن لوله ها و سیمهای تأسیسات استفاده کنید و یا با شرکت های کارهای تأسیسات ساختمان و خدمات مربوطه تماس بگیرید. تماس با کابل و سیمهای برق ممکن است باعث آتشسوزی و یا برق گرفتگی شود. ایراد و آسیب دیدگی لوله گاز میتواند باعث انفجار شود. سوراخ شدن لوله آب، باعث خسارت و یا برق گرفتگی میشود.
- ◀ از فرز کردن با فرز آسیبدیده یا کند خودداری کنید. تیغه فرز کند و یا آسیب دیده باعث اصطکاک شدید می شود، ممکن است گیر کند و منجر به از دست دادن تعادل بشود.
- ◀ قبل از کنار گذاشتن ابزار برقی صبر کنید تا دستگاه بطور کامل از کار و حرکت بایستد. ابزار ممکن است به قطعه کار گیر کرده و کنترل ابزار برقی از دست شما خارج شود.

توضیحات محصول و کارکرد

همه دستورات ایمنی و راهنماییها را بخوانید. اشتباهات ناشی از عدم رعایت این دستورات ایمنی ممکن است باعث برقگرفتگی، سوختگی و یا سایر جراحات های شدید شود.



به تصویرهای واقع در بخشهای اول دفترچه راهنما توجه کنید.

موارد استفاده از دستگاه

این ابزار برقی، با داشتن پایه و قرارگاه محکم روی قطعه کار، برای فرزکاری در چوب، مواد پلاستیکی و مصالح ساختمانی سبک و همچنین برای شیار درآوردن، کنار تراشی، فرزکاری پروفیل ها و سوراخهای طویل و نیز برای نمونه سازی (کپی کاری) مناسب است.

- ◀ استفاده صحیح از ابزار برقی و مراقبت از آن از وارد کردن فشار زیاد روی دستگاه خودداری کنید. برای هر کاری، از ابزار برقی مناسب با آن استفاده کنید. بکار گرفتن ابزار برقی مناسب باعث میشود که بتوانید از توان دستگاه بهتر و با اطمینان بیشتر استفاده کنید.
- ◀ در صورت ایراد در کلید قطع و وصل ابزار برقی، از دستگاه استفاده نکنید. ابزار برقی که نمی توان آنها را قطع و وصل کرد، خطرناک بوده و باید تعمیر شوند.
- ◀ قبل از تنظیم ابزار برقی، تعویض متعلقات و یا کنار گذاشتن آن، دوشاخه را از برق بکشید و یا باتری آنرا خارج کنید. رعایت این اقدامات پیشگیری ایمنی از راه افتادن ناخواسته ابزار برقی جلوگیری می کند.
- ◀ ابزار برقی را در صورت عدم استفاده، از دسترس کودکان دور نگه دارید و اجازة ندهید که افراد ناوارد و یا اشخاصی که این دفترچه راهنما را نخواندهاند، با این دستگاه کار کنند. قرار گرفتن ابزار برقی در دست افراد ناوارد و بی تجربه خطرناک است.
- ◀ از ابزار برقی و متعلقات خوب مراقبت کنید. مواظب باشید که قسمت های متحرک دستگاه خوب کار کرده و گیر نکنند. همچنین دقت کنید که قطعات ابزار برقی شکسته و یا آسیب دیده نباشند. قطعات آسیب دیده را قبل از شروع به کار تعمیر کنید. علت بسیاری از سوانح کاری، عدم مراقبت کامل از ابزارهای برقی می باشد.
- ◀ ابزار برش را تیز و تمیز نگه دارید. ابزار برشی که خوب مراقبت شده و از لبه های تیز برخوردار است، کمتر در قطعه کار گیر کرده و بهتر قابل هدایت است.
- ◀ ابزار برقی، متعلقات، متهای دستگاه و غیره را مطابق دستورات این جزوه راهنما به کار گیرید و به شرایط کاری و نوع کار نیز توجه داشته باشید. استفاده از ابزار برقی برای عملیاتی به جز مقاصد در نظر گرفته شده، میتواند به بروز شرایط خطرناک منجر شود.
- ◀ دستها و سطوح عایق را همواره خشک، تمیز و عاری از روغن و گریس نگه دارید. دسته های لغزنده مانع ایمنی و کنترل در کار در شرایط غیر منتظره هستند.

سرویس

- ◀ برای تعمیر ابزار برقی فقط به متخصصین حرفهای رجوع کنید و از قطعات یدکی اصل استفاده نمایید. این باعث خواهد شد که ایمنی دستگاه شما تضمین گردد.

راهنماییهای ایمنی برای فرز گوشهزن

- ◀ ابزار برقی را فقط از سطوح عایق آن در دست بگیرید، زیرا امکان تماس تیغه برش با کابل برق دستگاه وجود دارد. در صورت برخورد با کابل "حامل جریان برق" ممکن است قسمتهای فلزی ابزار برقی نیز "حامل جریان برق" شوند و باعث بروز برق گرفتگی در کاربر گردند.

اجزاء دستگاه

شماره های اجزاء دستگاه که در تصویر مشاهده میشود، مربوط به شرح ابزار برقی می باشد که تصویر آن در این دفترچه آمده است.

- (1) واحد محرکه یا واحد موتور
- (2) پایه دستگاه فرز
- (3) نگهدارنده زغال
- (4) مهره برای هدایت فرز
- (5) حفاظ ایمنی در برابر براده فلز
- (6) فرز^(A)
- (7) مهره و کولت (مهره با گیره نگهدارنده)
- (8) صفحه هدایت کننده
- (9) صفحه پایه
- (10) پیچ خروسکی برای پایه دستگاه فرز
- (11) کلید روشن/خاموش
- (12) درجه بندی تنظیم عمق فرز کاری
- (13) کولت
- (14) ابزارگیر
- (15) فرز (10 میلیمتر)^(A)
- (16) آچار تخت (17 میلیمتر)^(A)
- (17) شابلون کپی کاری^(A)
- (18) گونیای موازی^(A)
- (19) پیچ خروسکی گونیای موازی^(A)
- (20) کمکی راهنما^(A)
- (21) پیچ خروسکی تثبیت تنظیم افقی^(A)
- (22) پیچ خروسکی تنظیم افقی کمکی راهنمای^(A)
- (23) غلطک هدایت کننده^(A)
- (24) دسته (دارای روکش عایق)

(A) کلیه متعلقاتی که در تصویر و یا در متن آمده است، بطور معمول همراه دستگاه ارائه نمی شود. لطفا لیست کامل متعلقات را از فهرست برنامه متعلقات اقتباس نمایید.

مشخصات فنی

فرز لبه گیر		GKF 550
شماره فنی	3 601 FA0 0..	
توان ورودی نامی	W	550
تعداد دور در حالت بدون بار	¹ min	33000
ابزارگیر	mm	6
	inch	¼
وزن مطابق استاندارد EPTA-Procedure 01:2014	kg	1,4
کلاس ایمنی	II / □	

مقادیر برای ولتاژ نامی [U] 230 ولت میباشند. برای ولتاژهای مختلف و تولیدات مخصوص کشورها، ممکن است این مقادیر، متفاوت باشند.

نصب

◀ **پیش از انجام هرگونه کاری بر روی ابزار الکتریکی، دوشاخه اتصال آنرا از داخل پریز برق بیرون بکشید.**

تعویض ابزار

◀ **توصیه می شود برای نصب و جاگذاری تیغه فرز و همچنین برای تعویض آن، از دستکش ایمنی استفاده کنید.**

تیغه های فرز اصل از برنامه جامع Bosch متعلقات بوش را می توانید از فروشگاه های تخصصی تهیه کنید.

برداشتن بدنه فرز (رجوع کنید به تصویر A)

قبل از اینکه بتوانید تیغه فرز را قرار دهید، باید ابتدا پایه دستگاه فرز (2) را از واحد موتور دستگاه (1) جدا کنید.

پیچ پروانه‌های (10) روی بدنه فرز (2) را باز کنید. واحد موتور را از بالا درآورید.

تعویض کولت (رجوع کنید به تصویر B)

برحسب تیغه فرز استفاده شده باید قبل از قرار دادن تیغه فرز، مهره کولت را با کولت (7) تعویض کنید.

چنانچه کولت مناسب برای فرز قبلا نصب شده باشد، از مراحل عملیاتی در بخش بعدی پیروی کنید.

کولت (13) باید با کمی بازی در مهره کولت جای گیرد. مهره کولت (7) باید به سادگی نصب شود. چنانچه مهره کولت یا کولت، آسیب دیده باشد، آن را فوراً عوض کنید.

آچار تخت (15) را روی ابزارگیر (14) (رجوع کنید به تصویر C1) قرار دهید.

مهره کولت (7) را در خلاف جهت چرخش عقربه های ساعت با آچار تخت (16) باز کنید.

در صورت لزوم همه قطعاتی که باید نصب شوند را پیش از مونتاژ، بوسیله یک برس نرم یا قلم موی نرم و یا تحت فشار باد، غبار زدائی کنید.

مهره کولت جدید را روی ابزارگیر (14) قرار دهید.

مهره کولت را کمی بپیچانید بطوری که هنوز سفت نشده باشد.

◀ **کولت همراه با مهره کلاهی به هیچ عنوان بدون نصب بودن فرز، سفت نکنید.** مهره کلاهی (کولت) ممکن است آسیب ببیند.

قرار دادن تیغه فرز (رجوع کنید به تصاویر C1-C2)

برحسب موارد بکارگیری، تیغه های فرز در مدل ها و کیفیت های مختلف قابل دریافت هستند.

تیغفرزهای دارای فولاد تراش سریع-توان بالا (HSS) جهت کار کردن روی مواد نرم مانند چوب نرم و پلاستیک مناسب هستند.

تیغفرزهای دارای تیغهای برش فلز سخت و زیر (HM) بخصوص برای مواد سخت و آلومینیوم مناسب می باشند.

تیغه های فرز اصل از برنامه جامع متعلقات بوش را می توانید از فروشگاههای تخصصی خریداری کنید. منحصرأ از تیغه های فرز سالم و تمیز استفاده کنید.

راه اندازی

نحوه روشن و خاموش کردن

به منظور روشن کردن ابزار برقی، کلید روشن/خاموش (11) را روی 1 قرار دهید.
به منظور خاموش کردن ابزار برقی، کلید روشن/خاموش (11) را روی 0 قرار دهید.

نکات عملی

◀ تیغه فرز را در برابر ضربه و فشار محافظت کنید.

◀ پیش از انجام هرگونه کاری بر روی ابزار الکتریکی، دوشاخه اتصال آنرا از داخل پریز برق بیرون بکشید.

جهت و نحوه فرزکاری (رجوع کنید به تصویر D)

◀ فرآیند فرزکاری باید همواره خلاف جهت گردش فرز (6) انجام پذیرد (جهت مخالف). در صورت فرزکاری در جهت گردش فرز (جهت موافق) ممکن است ابزار برقی از دست شما رها شود.

◀ ابزار برقی را تنها با بدنه فرز (2) نصب شده بکار برید. از دست دادن کنترل بر روی دستگاه می تواند جراحت هایی را منجر شود.

نکته: دقت کنید که فرز (6) همیشه از صفحه پایه (9) بیرون بزند. به قطعه کار یا شابلون آسیب نزنید. عمق فرز دلخواه را تنظیم کنید.

ابزار برقی را روشن کنید و به قسمت مورد نظر نزدیک نمایید.

پس از انجام فرز کاری، ابزار برقی را خاموش کنید.

◀ ابزار برقی را قبل از متوقف شدن کامل فرز، کنار نگذارید. ابزار و متعلقات در حال حرکت ممکن است باعث آسیب دیدگی بشوند.

فرزکاری با شابلون کپی کاری (رجوع کنید به تصاویر E1 - E3)

به کمک شابلون کپی کاری (17) می توان دور محیطی مدلهای یا شابلونها را روی قطعههای کار انتقال داد. بر حسب قطر شابلون یا نمونه، قالب کپی کاری مناسب را انتخاب کنید. به دلیل ارتفاع برآمدهی شابلون کپی کاری بایستی شابلون دست کم 8 میلیمتر قطر داشته باشد (رجوع کنید به تصویر E1).

◀ قطر تیغه فرز را کمتر از قطر داخلی شابلون کپی کاری انتخاب کنید.

همه چهار پیچ آلن مغزی واقع بر قسمت زیرین صفحه هدایت کننده (8) را به بیرون بکشید و صفحه هدایت کننده را بردارید.

شابلون کپی کاری (17) را در صفحه هدایت کننده قرار دهید (رجوع کنید به تصویر E2).

صفحه هدایت کننده را دوباره روی صفحه پایه (9) شل ببندید. روکش کفی دستگاه باید پس از آن هنوز آزادانه قابل حرکت باشد.

برای اینکه فاصله مابین وسط تیغه فرز و لبه شابلون کپی کاری در همه جا یکسان باشد، باید در صورت لزوم، مرکز شابلون کپی کاری و روکش کفی نسبت به هم تنظیم شوند.

- صفحه هدایت کننده را طوری تنظیم کنید، که تیغه فرز و شابلون کپی کاری به سمت مرکز دهانه در

قرار دادن بدنه فرز (رجوع کنید به تصویر A)

برای فرزکاری بایستی بدنه فرز (2) را دوباره روی واحد موتور (1) نصب کنید.

پیچ پروانه‌ای (10) روی بدنه فرز (2) را باز کنید.

واحد موتور (1) را به طرف بدنه فرز (2) برانید.

پیچ پروانه ای (10) روی فرز (2) را ببندید.

◀ پس از مونتاژ همیشه کنترل کنید که آیا واحد موتور دستگاه فرز ثابت و محکم در بدنه دستگاه فرز قرار دارد.

مکش گرد، براده و تراشه

گرد و غبار موادی مانند رنگ های دارای سرب، بعضی از چوب ها، مواد معدنی و فلزات میتوانند برای سلامتی مضر باشند. دست زدن و یا تنفس کردن گرد و غبار ممکن است باعث بروز آلرژی و یا بیماری مجاری تنفسی شخص استفاده کننده و یا افرادی که در آن نزدیکی میباشند، بشود.

گرد و غبارهای مخصوصی مانند گرد و غبار درخت بلوط و یا درخت راش سرطان زا هستند، بخصوص ترکیب آنها با سایر موادی که برای کار بر روی چوب (کرومات، مواد برای محافظت از چوب) بکار برده میشوند. فقط افراد متخصص مجازند با موادی که دارای آزبست میباشند کار کنند.

- توجه داشته باشید که محل کار شما از تهویه هوای کافی برخوردار باشد.

- توصیه میشود از ماسک تنفسی ایمنی با درجه فیلتر P2 استفاده کنید.

به قوانین و مقررات معتبر در کشور خود در رابطه با استفاده از مواد و قطعات کاری توجه کنید.

◀ از تجمع گرد و غبار در محل کار جلوگیری کنید. گرد و غبار می توانند به آسانی مشتعل شوند.

عملکرد

◀ به ولتاژ شبکه برق توجه کنید! ولتاژ منبع جریان برق باید با مقادیر موجود بر روی برچسب ابزار الکتریکی مطابقت داشته باشد. ابزارهای برقی را که با ولتاژ 230 V ولت مشخص شده اند، می توان تحت ولتاژ 220 V ولت نیز بکار برد.

نحوه تنظیم عمق فرزکاری

◀ تنظیم عمق فرز بایستی فقط در حالت خاموش بودن دستگاه انجام شود.

برای تنظیم معمولی و تقریبی عمق فرزکاری به شرح زیر عمل کنید:

- ابزار برقی با تیغه فرز مونتاژ شده را بر روی قطعه کار قرار دهید.

- پیچ خروسکی (10) روی پایه دستگاه فرز (2) را باز کنید.

- واحد موتور (1) را در عمق دلخواه توسط

درجهبندی تنظیمات عمق فرز (12) حرکت دهید.

- پیچ خروسکی (10) روی پایه دستگاه فرز (2) را ببندید.

- تنظیم انجام شده عمق فرز را بوسیله امتحان عملی کنترل و در صورت لزوم آنرا اصلاح کنید.

مراقبت و سرویس

مراقبت، تعمیر و تمیز کردن دستگاه

◀ پیش از انجام هرگونه کاری بر روی ابزار الکتریکی، دوشاخه اتصال آنرا از داخل پریز برق بیرون بکشید.

◀ ابزار الکتریکی و شیارهای تهویه آنرا تمیز نگاه دارید، تا ایمنی شما در کار تضمین گردد.

در صورت نیاز به یک کابل یدکی برای اتصال به شبکه برق، بایستی به شرکت **Bosch** و یا به نمایندگی مجاز **Bosch** (خدمات پس از فروش) برای ابزار آلات برقی مراجعه کنید تا از بروز خطرات ایمنی جلوگیری بعمل آید.

خدمات و مشاوره با مشتریان

خدمات مشتری، به سئوالات شما درباره تعمیرات، سرویس و همچنین قطعات یدکی پاسخ خواهد داد. نقشه‌های سه بعدی و اطلاعات مربوط به قطعات یدکی را در تارنمای زیر میابید:

www.bosch-pt.com

گروه مشاوره به مشتریان Bosch با کمال میل به سئوالات شما درباره محصولات و متعلقات پاسخ می دهند.

برای هرگونه سؤال و یا سفارش قطعات یدکی، حتماً شماره فنی 10 رقمی کالا را مطابق برچسب روی ابزار برقی اطلاع دهید.

ایران

روبرت بوش ایران - شرکت بوش تجارت پارس
میدان ونک، خیابان شهید خدای، خیابان آفتاب
ساختمان مادیران، شماره 3، طبقه سوم.
تهران 1994834571
تلفن: 42039000 +9821

از رده خارج کردن دستگاه

ابزار برقی، متعلقات و بسته بندی آن، باید طبق مقررات حفظ محیط زیست از رده خارج و بازیافت شوند.

ابزارهای برقی را داخل زباله دان خانگی نیندازید!



صفحه هدایت کننده تنظیم شوند (رجوع کنید به تصاویر E3).

- صفحه هدایت کننده را در همان حالت نگهداشته و پیچ ها را مجدداً سفت کنید.

به منظور فرزکاری با شابلون کپی کاری (17) مانند آنچه در زیر آمده است عمل کنید:

- ابزار برقی را با شابلون کپی کاری (17) روی شابلون ها قرار دهید.

- ابزار برقی همراه با شابلون کپی کاری بر روی آنرا، با آوردن فشار جانبی در امتداد قالب حرکت بدهید.

فرزکاری لبها و طبق فرم (رجوع کنید به تصویر F)

برای لبه دادن و یا فرز کردن طبق فرم بدون خط کش راهنمای موازی، باید تیغه فرز به یک راهنما و یا بلبرینگ مجهز باشد.

ابزار برقی را در حالیکه روشن است، از پهلو (سطح جانبی) به قطعه کار نزدیک کنید تا راهنما و یا بلبرینگ تیغه فرز روی لبه قطعه کار قرار بگیرد.

ابزار برقی را در امتداد لبه قطعه کار حرکت بدهید. همزمان به زاویه قرار گرفتن آن بر روی قطعه کار توجه داشته باشید. فشار بیش از حد می تواند به لبه قطعه کار آسیب وارد کند.

فرزکاری با گونیای موازی (رجوع کنید به تصویر G)

جهت برش موازی با لبه می توان گونیای موازی (18) را نصب کرد.

گونیای موازی (18) روی پایه دستگاه فرز (2) را با پیچ آجدار (4) محکم کنید.

به کمک پیچ خروسکی واقع بر گونیای موازی (19) عمق نگهدارنده دلفواه را تنظیم کنید.

ابزار برقی را در حالیکه روشن است با حرکت یکنواخت و آوردن فشار جانبی بر روی گونیای موازی، در امتداد لبه قطعه کار حرکت بدهید.

فرزکاری با راهنمای کمکی (رجوع کنید به تصویر H)

راهنمای کمکی (20) برای فرزکاری لبها با تیغهفرزهای بدون راهنما یا بلبرینگ بکار می آید.

راهنمای کمکی را روی بدنه فرز (2) را با مهره (4) محکم کنید.

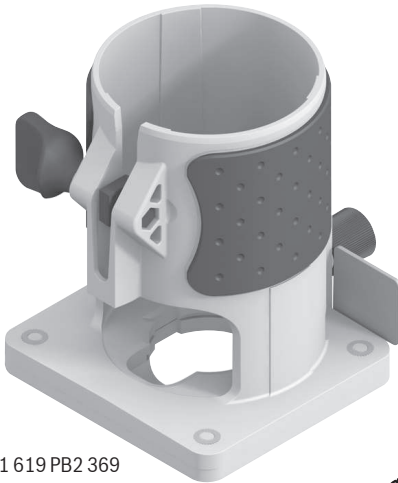
ابزار برقی را با حرکت یکنواخت در امتداد لبه قطعه کار به جلو برانید.

فاصله جانبی: جهت افزایش مقدار لایبیداری، میتوان فاصله جانبی بین قطعهکار و استوانه هادی (23) واقع بر راهنمای کمکی (20) تنظیم کرد.

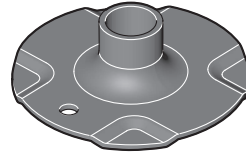
پیچ پروانه‌ای (21) را شل کنید، و فاصله جانبی دلفواه را با چرخش پیچ پروانه‌ای (22) را تنظیم و پیچ پروانه‌ای (21) را دوباره سفت کنید.

ارتفاع: بر حسب تیغهفرز بکار برده شده و قطر قطعهکار، قرارگیری عمودی راهنمای کمکی را تنظیم کنید.

مهره (4) روی راهنمای کمکی را شل کنید، راهنمای کمکی را به حالت دلفواه برانید و پیچ را دوباره سفت کنید.



1 619 PB2 369



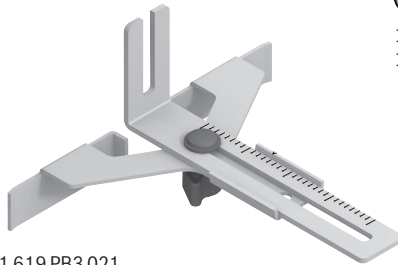
1 619 PB2 378



1 619 PB3 058 (6 mm)
1 619 PB3 057 (1/4")



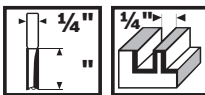
1 619 PB3 022



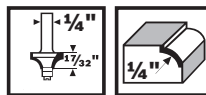
1 619 PB3 021



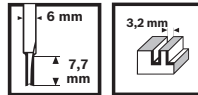
1 619 PB2 377 (17 mm)
2 609 110 254 (10 mm)



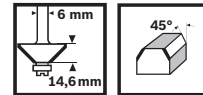
2 608 628 411



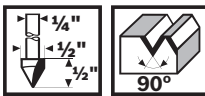
2 608 628 421



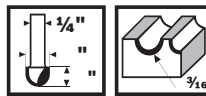
2 609 256 650



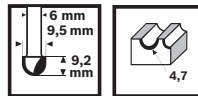
2 609 256 660



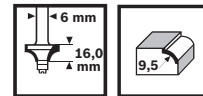
2 608 628 415



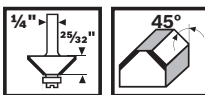
2 608 628 432



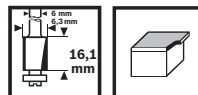
2 609 256 663



2 609 256 669



2 608 628 416



2 609 256 673