



GWS 750-100 Professional

HEAVY
DUTY

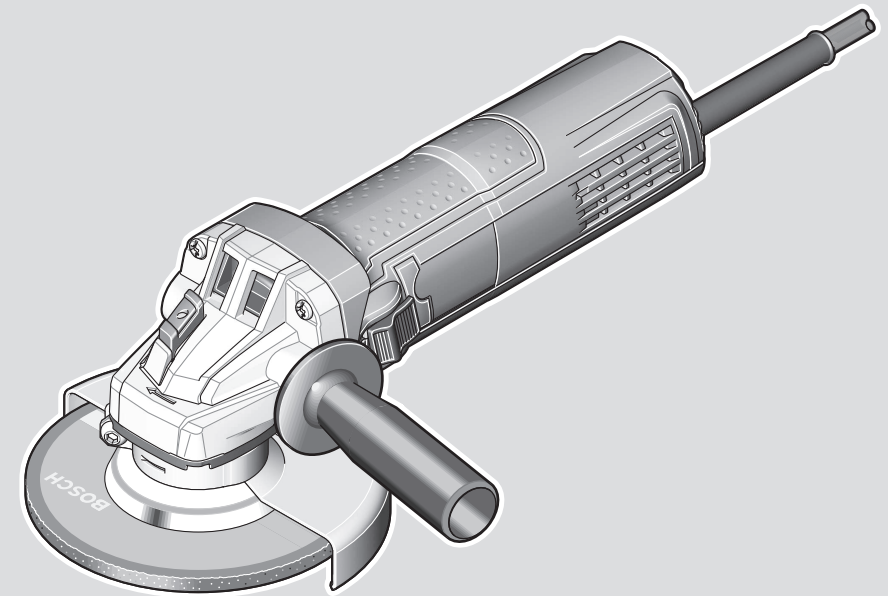
Robert Bosch Power Tools GmbH
70538 Stuttgart
GERMANY

www.bosch-pt.com

1 609 92A 8YD (2023.07) 0 / 21



1 609 92A 8YD

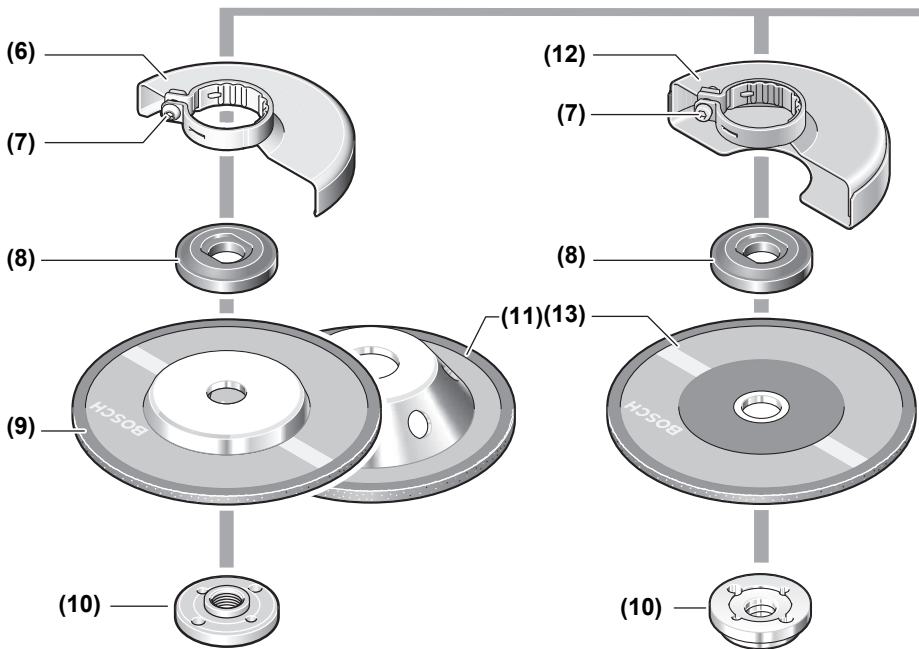
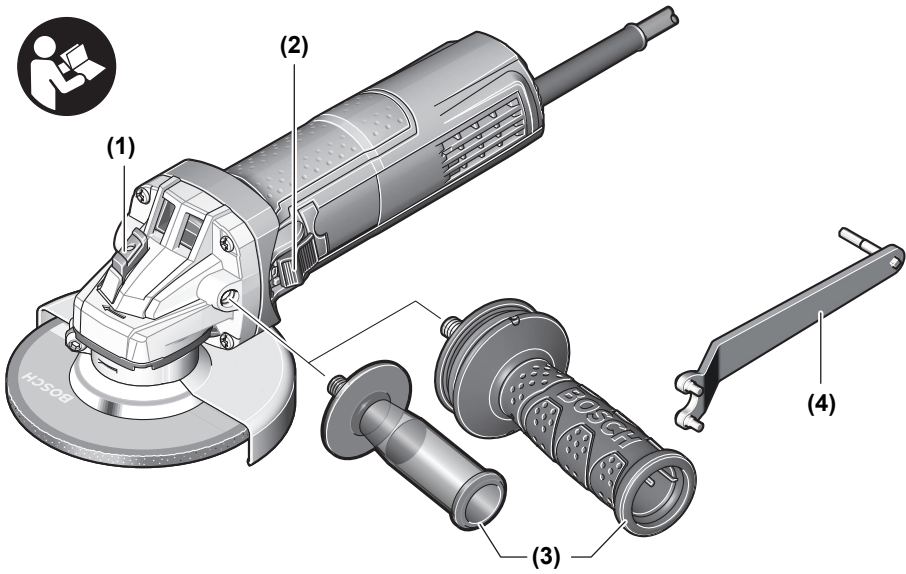


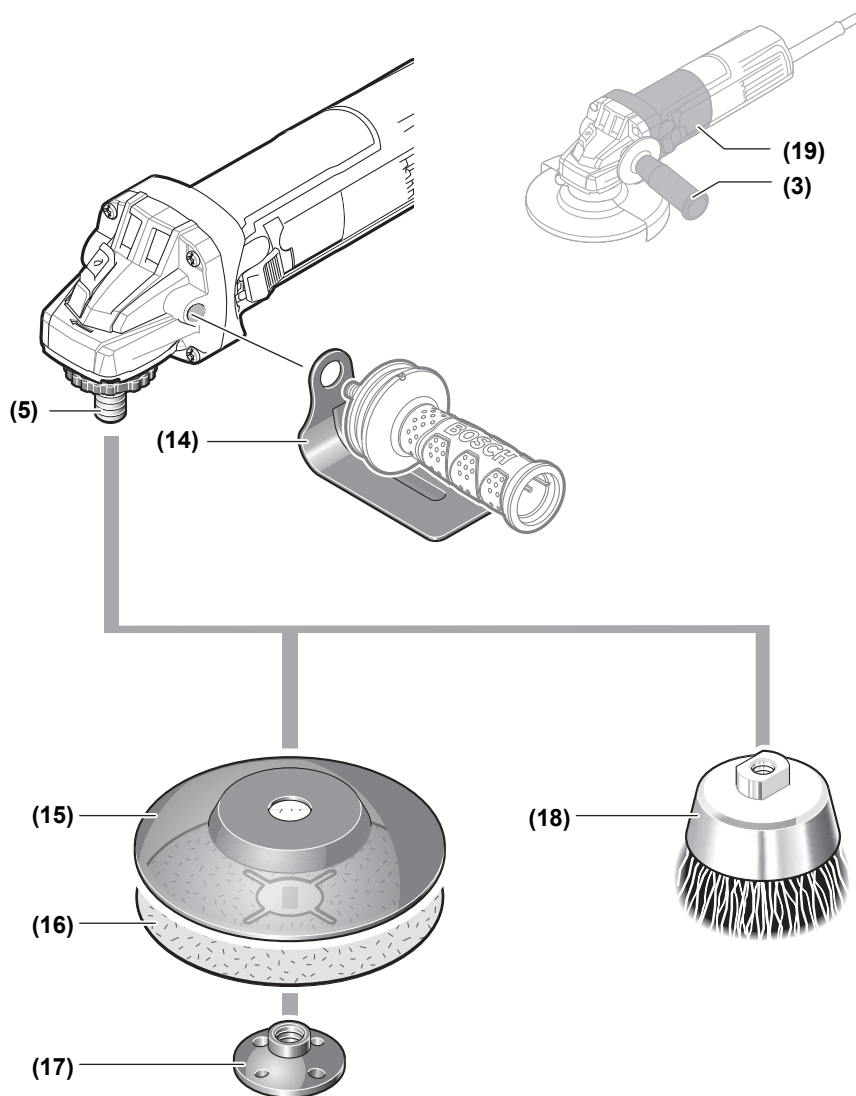
en Original instructions
hi मूल ऑपरेटिंग मैनुअल



English Page 6
हिंदी पेज 13







English

Safety Instructions

General Power Tool Safety Warnings

⚠ WARNING **Read all safety warnings and all instructions.** Failure to follow the warnings and instructions may result in electric shock, fire and/or serious injury.

Save all warnings and instructions for future reference.

The term "power tool" in the warnings refers to your mains-operated (corded) power tool or battery-operated (cordless) power tool.

Work area safety

- ▶ **Keep work area clean and well lit.** Cluttered or dark areas invite accidents.
- ▶ **Do not operate power tools in explosive atmospheres, such as in the presence of flammable liquids, gases or dust.** Power tools create sparks which may ignite the dust or fumes.
- ▶ **Keep children and bystanders away while operating a power tool.** Distractions can cause you to lose control.

Electrical safety

- ▶ **Power tool plugs must match the outlet. Never modify the plug in any way. Do not use any adapter plugs with earthed (grounded) power tools.** Unmodified plugs and matching outlets will reduce risk of electric shock.
- ▶ **Avoid body contact with earthed or grounded surfaces, such as pipes, radiators, ranges and refrigerators.** There is an increased risk of electric shock if your body is earthed or grounded.
- ▶ **Do not expose power tools to rain or wet conditions.** Water entering a power tool will increase the risk of electric shock.
- ▶ **Do not abuse the cord. Never use the cord for carrying, pulling or unplugging the power tool. Keep cord away from heat, oil, sharp edges or moving parts.** Damaged or entangled cords increase the risk of electric shock.
- ▶ **When operating a power tool outdoors, use an extension cord suitable for outdoor use.** Use of a cord suitable for outdoor use reduces the risk of electric shock.
- ▶ **If operating a power tool in a damp location is unavoidable, use a residual current device (RCD) protected supply.** Use of an RCD reduces the risk of electric shock.

Personal safety

- ▶ **Stay alert, watch what you are doing and use common sense when operating a power tool. Do not use a power tool while you are tired or under the influence of drugs, alcohol or medication.** A moment of inattention while operating power tools may result in serious personal injury.

- ▶ **Use personal protective equipment. Always wear eye protection.** Protective equipment such as dust mask, non-skid safety shoes, hard hat, or hearing protection used for appropriate conditions will reduce personal injuries.
- ▶ **Prevent unintentional starting. Ensure the switch is in the off-position before connecting to power source and/or battery pack, picking up or carrying the tool.** Carrying power tools with your finger on the switch or energising power tools that have the switch on invites accidents.
- ▶ **Remove any adjusting key or wrench before turning the power tool on.** A wrench or a key left attached to a rotating part of the power tool may result in personal injury.
- ▶ **Do not overreach. Keep proper footing and balance at all times.** This enables better control of the power tool in unexpected situations.
- ▶ **Dress properly. Do not wear loose clothing or jewellery. Keep your hair, clothing and gloves away from moving parts.** Loose clothes, jewellery or long hair can be caught in moving parts.
- ▶ **If devices are provided for the connection of dust extraction and collection facilities, ensure these are connected and properly used.** Use of dust collection can reduce dust-related hazards.

Power tool use and care

- ▶ **Do not force the power tool. Use the correct power tool for your application.** The correct power tool will do the job better and safer at the rate for which it was designed.
- ▶ **Do not use the power tool if the switch does not turn it on and off.** Any power tool that cannot be controlled with the switch is dangerous and must be repaired.
- ▶ **Disconnect the plug from the power source and/or the battery pack from the power tool before making any adjustments, changing accessories, or storing power tools.** Such preventive safety measures reduce the risk of starting the power tool accidentally.
- ▶ **Store idle power tools out of the reach of children and do not allow persons unfamiliar with the power tool or these instructions to operate the power tool.** Power tools are dangerous in the hands of untrained users.
- ▶ **Maintain power tools. Check for misalignment or binding of moving parts, breakage of parts and any other condition that may affect the power tool's operation. If damaged, have the power tool repaired before use.** Many accidents are caused by poorly maintained power tools.
- ▶ **Keep cutting tools sharp and clean.** Properly maintained cutting tools with sharp cutting edges are less likely to bind and are easier to control.
- ▶ **Use the power tool, accessories and tool bits etc. in accordance with these instructions, taking into account the working conditions and the work to be performed.**

formed. Use of the power tool for operations different from those intended could result in a hazardous situation.

Service

- ▶ **Have your power tool serviced by a qualified repair person using only identical replacement parts.** This will ensure that the safety of the power tool is maintained.

Safety Warnings for Angle Grinder

Safety Warnings common for Grinding, Sanding, Wire Brushing or Abrasive Cutting Off operations

- ▶ **This power tool is intended to function as a grinder, sander, wire brush or cut-off tool. Read all safety warnings, instructions, illustrations and specifications provided with this power tool.** Failure to follow all instructions listed below may result in electric shock, fire and/or serious injury.
- ▶ **Operations such as polishing are not recommended to be performed with this power tool.** Operations for which the power tool was not designed may create a hazard and cause personal injury.
- ▶ **Do not use accessories which are not specifically designed and recommended by the tool manufacturer.** Just because the accessory can be attached to your power tool, it does not assure safe operation.
- ▶ **The rated speed of the accessory must be at least equal to the maximum speed marked on the power tool.** Accessories running faster than their rated speed can break and fly apart.
- ▶ **The outside diameter and the thickness of your accessory must be within the capacity rating of your power tool.** Incorrectly sized accessories cannot be adequately guarded or controlled.
- ▶ **Threaded mounting of accessories must match the grinder spindle thread. For accessories mounted by flanges, the arbour hole of the accessory must fit the locating diameter of the flange.** Accessories that do not match the mounting hardware of the power tool will run out of balance, vibrate excessively and may cause loss of control.
- ▶ **Do not use a damaged accessory. Before each use inspect the accessory such as abrasive wheels for chips and cracks, backing pad for cracks, tear or excess wear, wire brush for loose or cracked wires. If power tool or accessory is dropped, inspect for damage or install an undamaged accessory. After inspecting and installing an accessory, position yourself and bystanders away from the plane of the rotating accessory and run the power tool at maximum no load speed for one minute.** Damaged accessories will normally break apart during this test time.
- ▶ **Wear personal protective equipment. Depending on application, use face shield, safety goggles or safety glasses. As appropriate, wear dust mask, hearing protectors, gloves and workshop apron capable of stopping small abrasive or workpiece fragments.** The eye protection must be capable of stopping flying debris gen-

erated by various operations. The dust mask or respirator must be capable of filtering particles generated by your operation. Prolonged exposure to high intensity noise may cause hearing loss.

- ▶ **Keep bystanders a safe distance away from work area. Anyone entering the work area must wear personal protective equipment.** Fragments of workpiece or of a broken accessory may fly away and cause injury beyond immediate area of operation.
- ▶ **Hold the power tool by insulated gripping surfaces only, when performing an operation where the cutting accessory may contact hidden wiring or its own cord.** Cutting accessory contacting a "live" wire may make exposed metal parts of the power tool "live" and could give the operator an electric shock.
- ▶ **Position the cord clear of the spinning accessory.** If you lose control, the cord may be cut or snagged and your hand or arm may be pulled into the spinning accessory.
- ▶ **Never lay the power tool down until the accessory has come to a complete stop.** The spinning accessory may grab the surface and pull the power tool out of your control.
- ▶ **Do not run the power tool while carrying it at your side.** Accidental contact with the spinning accessory could snag your clothing, pulling the accessory into your body.
- ▶ **Regularly clean the power tool's air vents.** The motor's fan will draw the dust inside the housing and excessive accumulation of powdered metal may cause electrical hazards.
- ▶ **Do not operate the power tool near flammable materials.** Sparks could ignite these materials.
- ▶ **Do not use accessories that require liquid coolants.** Using water or other liquid coolants may result in electrocution or shock.

Kickback and Related Warnings

Kickback is a sudden reaction to a pinched or snagged rotating wheel, backing pad, brush or any other accessory. Pinching or snagging causes rapid stalling of the rotating accessory which in turn causes the uncontrolled power tool to be forced in the direction opposite of the accessory's rotation at the point of the binding.

For example, if an abrasive wheel is snagged or pinched by the workpiece, the edge of the wheel that is entering into the pinch point can dig into the surface of the material causing the wheel to climb out or kick out. The wheel may either jump toward or away from the operator, depending on direction of the wheel's movement at the point of pinching. Abrasive wheels may also break under these conditions.

Kickback is the result of power tool misuse and/or incorrect operating procedures or conditions and can be avoided by taking proper precautions as given below.

- ▶ **Maintain a firm grip on the power tool and position your body and arm to allow you to resist kickback forces. Always use auxiliary handle, if provided, for maximum control over kickback or torque reaction**

during start-up. The operator can control torque reactions or kickback forces, if proper precautions are taken.

- ▶ **Never place your hand near the rotating accessory.** Accessory may kickback over your hand.
- ▶ **Do not position your body in the area where power tool will move if kickback occurs.** Kickback will propel the tool in direction opposite to the wheel's movement at the point of snagging.
- ▶ **Use special care when working corners, sharp edges etc. Avoid bouncing and snagging the accessory.** Corners, sharp edges or bouncing have a tendency to snag the rotating accessory and cause loss of control or kickback.
- ▶ **Do not attach a saw chain woodcarving blade or toothed saw blade.** Such blades create frequent kickback and loss of control.

Safety Warnings specific for Grinding and Abrasive Cutting-Off operations

- ▶ **Use only wheel types that are recommended for your power tool and the specific guard designed for the selected wheel.** Wheels for which the power tool was not designed cannot be adequately guarded and are unsafe.
- ▶ **The grinding surface of centre depressed wheels must be mounted below the plane of the guard lip.** An improperly mounted wheel that projects through the plane of the guard lip cannot be adequately protected.
- ▶ **The guard must be securely attached to the power tool and positioned for maximum safety, so the least amount of wheel is exposed towards the operator.** The guard helps to protect operator from broken wheel fragments, accidental contact with wheel and sparks that could ignite clothing.
- ▶ **Wheels must be used only for recommended applications. For example: do not grind with the side of cut-off wheel.** Abrasive cut-off wheels are intended for peripheral grinding, side forces applied to these wheels may cause them to shatter.
- ▶ **Always use undamaged wheel flanges that are of correct size and shape for your selected wheel.** Proper wheel flanges support the wheel thus reducing the possibility of wheel breakage. Flanges for cut-off wheels may be different from grinding wheel flanges.
- ▶ **Do not use worn down wheels from larger power tools.** Wheel intended for larger power tool is not suitable for the higher speed of a smaller tool and may burst.

Additional Safety Warnings specific for Abrasive Cutting Off operations

- ▶ **Do not "jam" the cut-off wheel or apply excessive pressure. Do not attempt to make an excessive depth of cut.** Overstressing the wheel increases the loading and susceptibility to twisting or binding of the wheel in the cut and the possibility of kickback or wheel breakage.
- ▶ **Do not position your body in line with and behind the rotating wheel.** When the wheel, at the point of operation, is moving away from your body, the possible kick-

back may propel the spinning wheel and the power tool directly at you.

- ▶ **When wheel is binding or when interrupting a cut for any reason, switch off the power tool and hold the power tool motionless until the wheel comes to a complete stop. Never attempt to remove the cut-off wheel from the cut while the wheel is in motion otherwise kickback may occur.** Investigate and take corrective action to eliminate the cause of wheel binding.
- ▶ **Do not restart the cutting operation in the workpiece. Let the wheel reach full speed and carefully re-enter the cut.** The wheel may bind, walk up or kickback if the power tool is restarted in the workpiece.
- ▶ **Support panels or any oversized workpiece to minimize the risk of wheel pinching and kickback.** Large workpieces tend to sag under their own weight. Supports must be placed under the workpiece near the line of cut and near the edge of the workpiece on both sides of the wheel.
- ▶ **Use extra caution when making a "pocket cut" into existing walls or other blind areas.** The protruding wheel may cut gas or water pipes, electrical wiring or objects that can cause kickback.

Safety Warnings specific for Sanding operations

- ▶ **Do not use excessively oversized sanding disc paper. Follow manufacturers recommendations, when selecting sanding paper.** Larger sanding paper extending beyond the sanding pad presents a laceration hazard and may cause snagging, tearing of the disc, or kickback.

Safety Warnings specific for Wire Brushing operations

- ▶ **Be aware that wire bristles are thrown by the brush even during ordinary operation. Do not overstress the wires by applying excessive load to the brush.** The wire bristles can easily penetrate light clothing and/or skin.
- ▶ **If the use of a guard is recommended for wire brushing, do not allow any interference of the wire wheel or brush with the guard.** Wire wheel or brush may expand in diameter due to work load and centrifugal forces.

Additional safety information

Wear safety goggles.



- ▶ **Use suitable detectors to determine if utility lines are hidden in the work area or call the local utility company for assistance.** Contact with electric lines can lead to fire and electric shock. Damaging a gas line can lead to explosion. Penetrating a water line causes property damage or may cause an electric shock.
- ▶ **Do not touch grinding and cutting discs until they have cooled down.** The discs can become very hot while working.
- ▶ **Release the On/Off switch and set it to the off position when the power supply is interrupted, e. g., in case of**

a power failure or when the mains plug is pulled. This prevents uncontrolled restarting.

- **Secure the workpiece.** A workpiece clamped with clamping devices or in a vice is held more secure than by hand.

Product Description and Specifications



Read all the safety and general instructions.

Failure to observe the safety and general instructions may result in electric shock, fire and/or serious injury.

Please observe the illustrations at the beginning of this operating manual.

Intended use

The power tool is intended for cutting, roughing and brushing metal and stone materials without the use of water.

A separate protective guard for cutting must be used when cutting with bonded abrasives.

Sufficient dust extraction must be provided when cutting stone.

With approved abrasive tools, the power tool can be used for sanding with sanding discs.

Product Features

The numbering of the product features refers to the diagram of the power tool on the graphics page.

- (1) Spindle lock button
- (2) On/off switch
- (3) Auxiliary handle (insulated gripping surface)
- (4) Combination wrench for M10 grinding spindle
- (5) Grinding spindle
- (6) Protective guard for grinding
- (7) Locking screw for protective guard
- (8) Mounting flange with O-ring
- (9) Grinding disc^{a)}
- (10) Clamping nut
- (11) Carbide grinding head^{a)}
- (12) Protective guard for cutting^{a)}
- (13) Cutting disc^{a)}
- (14) Hand guard^{a)}
- (15) Rubber sanding pad^{a)}
- (16) Abrasive disc^{a)}
- (17) Round nut^{a)}
- (18) Cup brush^{a)}
- (19) Handle (insulated gripping surface)

a) **Accessories shown or described are not included with the product as standard. You can find the complete selection of accessories in our accessories range.**

Technical Data

Angle Grinder	GWS 750-100	
Article number		3 601 C94 0..
Rated power input	W	750
Power output	W	380
Rated speed	min ⁻¹	11,000
Max. grinding disc diameter	mm	100
Grinding spindle thread		M10
Max. thread length of grinding spindle	mm	17
Weight according to EPTA-Procedure 01:2014		
- with low-vibration auxiliary handle	kg	1.9
- with standard auxiliary handle	kg	1.8
Protection class		□ / II

The specifications apply to a rated voltage [U] of 230 V. These specifications may vary at different voltages and in country-specific models.

Values can vary depending upon the product and are subject to application and environmental conditions. For further information www.bosch-professional.com/wac.

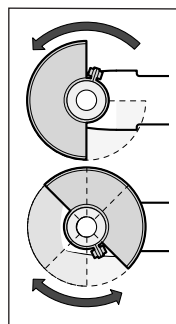
Fitting

Fitting Protective Equipment

- **Pull the plug out of the socket before carrying out any work on the power tool.**

Note: If the grinding disc breaks during operation or the holding fixtures on the protective guard/power tool become damaged, the power tool must be sent to the after-sales service immediately; see the "After-Sales Service and Application Service" section for addresses.

Protective guard for grinding



Place the protective guard (6) on the spindle collar. Adjust the position of the protective guard (6) to meet the requirements of the operation. Lock the protective guard (6) by tightening the locking screw (7) using the combination wrench (4).

- **Adjust the protective guard (6) such that sparking in the direction of the operator is prevented.**

Note: The coding cams on the protective guard (6) ensure that only a protective guard that is suitable for the power tool can be fitted.

Protective guard for cutting

- ▶ **Always use the protective guard for cutting (12) when cutting with bonded abrasives.**
- ▶ **Provide sufficient dust extraction when cutting stone.**

The protective guard for cutting (12) is fitted in the same way as the protective guard for grinding (6).

Side handle

- ▶ **Do not operate your power tool without the side handle (3).**
- ▶ **Do not continue to use the power tool if the auxiliary handle is damaged. Do not make any alterations to the auxiliary handle.**

Screw the side handle (3) on the left or right of the machine head depending on how you are working.

Low-vibration auxiliary handle



Screw the auxiliary handle (3) on the right or left of the machine head depending on the working method.

The low-vibration auxiliary handle reduces vibration, enabling the tool to be used safely and more comfortably.

- ▶ **Do not operate your power tool without the side handle (3).**
- ▶ **Do not make any alterations of any kind to the auxiliary handle.**

Do not continue to use a damaged auxiliary handle.

Hand guard

- ▶ **Always fit the hand guard (14) when working with the rubber sanding plate (15) or with the cup brush/disc brush/flap disc.**

Attach the hand guard (14) to the side handle (3).

Fitting the Abrasive Tools

- ▶ **Pull the plug out of the socket before carrying out any work on the power tool.**
- ▶ **Do not touch grinding and cutting discs until they have cooled down.** The discs can become very hot while working.

Clean the grinding spindle (5) and all the parts to be fitted.

Lock the grinding spindle with the spindle lock button (1) before clamping and releasing the abrasive tools.

- ▶ **Do not press the spindle lock button while the grinding spindle is moving.** The power tool may become damaged if you do this.

Grinding/cutting disc

Pay attention to the dimensions of the abrasive tools. The diameter of the hole must match that of the mounting flange. Do not use an adapter or reducer.

When using diamond cutting discs, ensure that the arrow indicating the direction of rotation on the diamond cutting disc matches the direction of rotation of the power tool (see the direction of rotation arrow on the machine head).

See the graphics page for assembling instructions.

To fasten the grinding/cutting disc, screw on the clamping nut (10) and tighten with the combination wrench (4).

- ▶ **After fitting the abrasive tool, check that the abrasive tool is fitted correctly and can turn freely before switching on the power tool. Make sure that the abrasive tool does not brush against the protective guard or other parts.**

Mounting flange for grinding spindle M10:

The mounting flange can be used on both sides.

Flap disc

- ▶ **Always fit the hand guard (14) when working with the flap disc.**

Rubber sanding pad

- ▶ **Always fit the hand guard (14) when working with the rubber sanding pad (15).**

See the graphics page for fitting instructions.

Screw on the round nut (17) and tighten with the combination wrench (4).

Cup brush/disc brush

- ▶ **Always fit the hand guard (14) when working with the cup brush or disc brush.**

See the graphics page for fitting instructions.

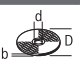

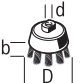
The cup brush/disc brush must be screwed onto the grinding spindle until it rests firmly against the grinding spindle flange at the end of the grinding spindle thread. Tighten the cup brush/disc brush with an open-ended spanner.

Approved abrasive tools

You can use all the abrasive tools mentioned in these operating instructions.

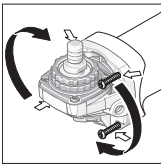
The permissible speed [min^{-1}] or the circumferential speed [m/s] of the abrasive tools used must at least match the values given in the table.

It is therefore important to observe the permissible **rotational/circumferential speed** on the label of the abrasive tool.

	Max. [mm]	[mm]			
	D	b	d	$[\text{min}^{-1}]$	$[\text{m/s}]$
	100	6	16.0	11,000	80
	100	-	-	11,000	80
	70	30	M 10	11,000	45

Rotating the Machine Head

- ▶ **Pull the plug out of the socket before carrying out any work on the power tool.**



The machine head can be rotated in 90° increments. In this way, the on/off switch can be brought into a more favourable handling position for particular applications, e.g. for left-handed tool users.

Completely unscrew the four screws. Rotate the machine head carefully,

without removing it from the housing. into the new position. Screw in and retighten the four screws.

Dust/Chip Extraction

The dust from materials such as lead paint, some types of wood, minerals and metal can be harmful to human health. Touching or breathing in this dust can trigger allergic reactions and/or cause respiratory illnesses in the user or in people in the near vicinity.

Certain dusts, such as oak or beech dust, are classified as carcinogenic, especially in conjunction with wood treatment additives (chromate, wood preservative). Materials containing asbestos may only be machined by specialists.

- Use a dust extraction system that is suitable for the material wherever possible.
- Provide good ventilation at the workplace.
- It is advisable to wear a P2 filter class breathing mask.

The regulations on the material being machined that apply in the country of use must be observed.

- ▶ **Avoid dust accumulation at the workplace.** Dust can easily ignite.

Operation

Start-Up

- ▶ **Pay attention to the mains voltage! The voltage of the power source must match the voltage specified on the rating plate of the power tool. Power tools marked with 230 V can also be operated with 220 V.**
- ▶ **Products that are only sold in AUS and NZ:** Use a residual current device (RCD) with a nominal residual current of 30 mA or less.

When operating the power tool using a mobile generator that does not have sufficient reserve capacity or an adequate voltage control system with inrush current boost converter, loss of performance or atypical behaviour may occur upon switch-on.

Please check the suitability of the power generator you are using, particularly with regard to the mains voltage and frequency.

Switching on/off

To **start** the power tool, push the on/off switch **(2)** forward.

To **lock** the on/off switch **(2)** in position, push the on/off switch **(2)** forward and down until it clicks into place.

To **switch off** the power tool, release the on/off switch **(2)**; or, if the switch is locked, briefly push the on/off switch **(2)** backward and down and then release it.

- ▶ **Always check abrasive tools before using them. The abrasive tool must be fitted properly and be able to move freely. Carry out a test run for at least one minute with no load. Do not use abrasive tools that are damaged, run untrue or vibrate during use.** Damaged abrasive tools can burst apart and cause injuries.

Working advice

- ▶ **Pull the plug out of the socket before carrying out any work on the power tool.**
- ▶ **Exercise caution when cutting slots in structural walls; see the "Information on structural design" section.**
- ▶ **Clamp the workpiece if it is not secure under its own weight.**
- ▶ **Do not load the power tool so heavily that it comes to a stop.**
- ▶ **If the power tool has been subjected to a heavy load, continue to run it at no-load for several minutes to cool down the accessory.**
- ▶ **Do not use the power tool with a cut-off stand.**
- ▶ **Do not touch grinding and cutting discs until they have cooled down.** The discs can become very hot while working.

Rough grinding

- ▶ **Never use cutting discs for rough grinding.**

The best rough grinding results are achieved with a set angle of 30° to 40°. Move the power tool back and forth with moderate pressure. This will ensure that the workpiece does not become too hot or discolour and that grooves are not formed.

Flap Disc

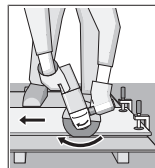
With the flap disc (accessory), curved surfaces and profiles can be worked. Flap discs have a considerably higher service life, lower noise levels and lower sanding temperatures than conventional sanding sheets.

Cutting Metal

- ▶ **Always use the protective guard for cutting (12) when cutting with bonded abrasives.**

When carrying out abrasive cutting, use a moderate feed that is suited to the material being machined. Do not exert pressure on the cutting disc and do not tilt or swing the power tool.

Do not attempt to reduce the speed of a cutting disc coming to a stop by applying pressure from the side.



The power tool must always work in an up-grinding motion. Otherwise there is a risk that it will be pushed **uncontrolled** out of the cut. For best results when cutting profiles and rectangular tubing, start at the smallest cross section.

Cutting stone

- ▶ **Provide sufficient dust extraction when cutting stone.**

- ▶ **Wear a dust mask.**
- ▶ **The power tool may be used only for dry cutting/grinding.**

For best results when cutting stone, use a diamond cutting disc.

When cutting especially hard materials such as concrete with a high pebble content, the diamond cutting disc can overheat and become damaged as a result. This is clearly indicated by circular sparking, rotating with the diamond cutting disc.

If this happens, stop cutting and allow the diamond cutting disc to cool down by running the power tool for a short time at maximum speed with no load.

Working noticeably slower and with circular sparking indicate that the diamond cutting disc that has become dull. You can resharpen the disc by briefly cutting into abrasive material (e.g. lime-sand brick).

Information on structural design

Recesses in load-bearing walls are subject to country-specific regulations. These regulations must be observed under all circumstances. Seek advice from the responsible structural engineer, architect or construction supervisor before starting work.

India

Bosch Service Center
69, Habibullah Road, (Next to PSBB School), T. Nagar
Chennai – 600077
Phone: (044) 64561816

Bosch Service Center
18, Community Center
Phase 1, Mayapuri
New Delhi – 110064
Phone: (011) 43166190

Bosch Service Center
Shop no 7&8, Aspen garden
Walbhat road , Goregaon (E)
Near to Ram Mandir Railway Station
Mumbai – 400063
Mobile: 09819952950

Disposal

The power tool, accessories and packaging should be recycled in an environmentally friendly manner.



Do not dispose of power tools along with household waste.

Maintenance and Service

Maintenance and Cleaning

- ▶ **Pull the plug out of the socket before carrying out any work on the power tool.**
- ▶ **To ensure safe and efficient operation, always keep the power tool and the ventilation slots clean.**
- ▶ **In extreme conditions, always use a dust extractor if possible. Blow out ventilation slots frequently and install a residual current device (RCD) upstream.** When machining metals, conductive dust can settle inside the power tool, which can affect its protective insulation.

Store and handle the accessories carefully.

In order to avoid safety hazards, if the power supply cord needs to be replaced, this must be done by **Bosch** or by an after-sales service centre that is authorised to repair **Bosch** power tools.

After-Sales Service and Application Service

Our after-sales service responds to your questions concerning maintenance and repair of your product as well as spare parts. You can find explosion drawings and information on spare parts at: **www.bosch-pt.com**

The Bosch product use advice team will be happy to help you with any questions about our products and their accessories.

In all correspondence and spare parts orders, please always include the 10-digit article number given on the nameplate of the product.

हिंदी

सुरक्षा निर्देश

पावर टूल सुरक्षा की सामान्य चेतावनियाँ

⚠ चेतावनियाँ सभी सुरक्षा चेतावनी और सभी निर्देश पढ़ें। चेतावनियों और निर्देशों का अनुसरण करने में विफल होने के परिणामस्वरूप इलेक्ट्रिक शॉक, आग लगना और/या कोई गंभीर हानि हो सकती है।

भावी संदर्भ के लिए सभी चेतावनी और निर्देश सहेजें।

चेतावनी में दी गई टर्म "पावर टूल" आपके मुख्य तार द्वारा संचालित (तार सहित) पावर टूल या बैटरी संचालित (तार रहित) पावर टूल से संबंधित है।

कार्य क्षेत्र सुरक्षा

- ▶ कार्य क्षेत्र साफ़ और अच्छी तरह उजला रखें। अव्यवस्थित या अंधकारपूर्ण क्षेत्र दुर्घटनाओं को आमंत्रित करते हैं।
- ▶ पावर टूल को विस्फोट वातावरण जैसे कि, ज्वलनशील द्रव्यों, गैसों या राख की उपस्थिति में संचालित न करें। पावर टूल से चिंगारी निकलती है, जो कचरे या धुएं में आग लगा सकती है।
- ▶ पावर टूल संचालित करते समय बच्चों और आसपास खड़े लोगों को दूर रखें। ध्यान भंग होने के कारण आपका नियंत्रण खो सकते हैं।

विद्युत सुरक्षा

- ▶ पावर टूल प्लग आउटलेट से मेल खाना चाहिए। प्लग को किसी भी स्थिति में न सुधारें। ऐसे किसी एडॉप्टर का उपयोग न करें, जिसे भूसंपर्कित (जमीन में) पावर टूल के साथ प्लग किया गया हो। अपरिवर्तित प्लग और मेल खाते हुए आउटलेट बिजली के झटके का जोखिम कम करेंगे।
- ▶ अर्थिंग की गई या जमीन पर पड़ी चीजों, जैसे पाइप, रेडिएटर, रॉज और रेफ्रिजरेटर के साथ संपर्क में आने से बचें। यदि आपका शरीर जमीन के या जमीन पर पड़ी किसी वस्तु के संपर्क में आता है, तो बिजली के झटके का खतरा बढ़ जाता है।
- ▶ पावर टूल को बारिश या गीली स्थितियों में खुला न रखें। पावर टूल में पानी घुस जाने से बिजली का झटका लगने का खतरा बढ़ जाएगा।
- ▶ कॉर्ड का अधिक दुरुपयोग न करें। कॉर्ड का उपयोग कोई चीज़ ले जाने, खींचने या पावर टूल को अनप्लग करने में कभी भी न करें। कॉर्ड को ऊष्मा, तेल, तेज़ धार या गतिमान पुर्जों से दूर रखें। अतिग्रस्त या उलझी हुई कॉर्ड से बिजली के झटके का खतरा बढ़ जाता है।
- ▶ पावर टूल को आउटडोर में संचालित करते समय, आउटडोर के उपयोग हेतु उपयुक्त एक्स्टेंशन कॉर्ड का उपयोग करें। आउटडोर उपयोग के लिए उपयुक्त कॉर्ड का उपयोग करना बिजली के झटके का जोखिम कम करता है।
- ▶ यदि पावर टूल को सीलनभरी जगह पर संचालित करना अनिवार्य हो तो, रेसीड्यूअल करंट डिवाइस (RCD) संरक्षित सर्प्लाई का उपयोग करें। RCD का उपयोग बिजली के झटके के जोखिम को कम करता है।

व्यक्तिगत सुरक्षा

- ▶ पावर टूल संचालित करते समय सजग रहें, अपने काम पर ध्यान दें और व्यावहारिक ज्ञान का उपयोग करें। थके होने पर या दवाओं, अल्कोहल या औषधि-प्रयोग के प्रभाव में होने पर

पावर टूल का उपयोग न करें। पावर टूल संचालित करने के दौरान असावधान रहने पर व्यक्तिगत रूप से गंभीर चोट आ सकती है।

- ▶ व्यक्तिगत सुरक्षा उपकरण का उपयोग करें। आँखों की सुरक्षा के लिए हमेशा कुछ पहनें। सुरक्षा उपकरण, जैसे धूल मास्क, फिसलन रहित सुरक्षा जूते, मजबूत टोपी, या उचित परिस्थितियों के लिए उपयोग की जाने वाली कानों की सुरक्षा जैसे सुरक्षा उपकरण व्यक्तिगत हानि को कम कर देंगे।
- ▶ अनजाने में शुरू करने से बचें। पावर सोर्स और/या बैटरी पैक को कनेक्ट करने, टूल को उठाने या ले जाने से पहले सुनिश्चित कर लें कि स्विच बंद स्थिति में है। पावर टूल ले जाते समय स्विच पर उंगली होना या चालू स्विच में पावर टूल को लगाना दुर्घटनाओं को आमंत्रित कर सकता है।
- ▶ पावर टूल को चालू करने से पहले किसी भी समायोजन कुंजी निकाल दें या खींच लें। पावर टूल के घूमने वाले भाग से जुड़ी कोई कुंजी खींचने या निकालने से व्यक्तिगत हानि हो सकती है।
- ▶ अति-विश्वास से बचें। हर समय पैरों को ठीक से जमाए रखें और संतुलन में रहें। ऐसा करना अनपेक्षित स्थितियों में पावर टूल के नियंत्रण को और बेहतर बनाता है।
- ▶ कपड़े अच्छे-से पहनें। ढीले कपड़े या आभूषण न पहनें। अपने बालों, कपड़ों और दस्तानों को चलित पुर्जों से दूर रखें। ढीले कपड़े, आभूषण या लंबे बाल चलित पुर्जों में फँस सकते हैं।
- ▶ यदि उपकरण धूल निष्कर्षण और सुविधा संग्रह के कनेक्शन के लिए प्रदान किए जाते हैं, तो सुनिश्चित करें कि वो कनेक्ट हों और उचित रूप से उपयोग किए जाते हों। धूल संग्रह का उपयोग करना धूल-संबंधी खतरों को कम कर सकता है।

पावर टूल उपयोग और देखभाल

- ▶ पावर टूल पर जोर न लगाएं। अपनी एप्लिकेशन के लिए सही पावर टूल का उपयोग करें। सही पावर टूल जिसके लिए बनाया गया था, उसके हिसाब से बेहतर और सुरक्षित कार्य करेगा।
- ▶ यदि स्विच चालू और बंद न होता हो, तो पावर टूल का उपयोग न करें। ऐसा कोई भी पावर टूल जिसे स्विच से नियंत्रित नहीं किया जा सकता है, खतरानाक है और उसे सुधारा जाना चाहिए।
- ▶ कोई भी समायोजन करने, सामान बदलने या बिजली उपकरण का भंडारण करने से पहले पावर उपकरण से बिजली के स्रोत और/या बैटरी उपकरण से प्लग को डिस्कनेक्ट करें। इस तरह के सुरक्षात्मक उपाय पावर टूल के अचानक चालू हो जाने के जोखिम को कम करते हैं।
- ▶ निष्क्रिय पावर टूल को बच्चों की पहुंच से बाहर रखें और पावर टूल चलाने के लिए बिजली के उपकरण या इन निर्देशों से अनभिज्ञ लोगों को अनुमति न दें। अप्रशिक्षित उपयोगकर्ताओं के हाथों में पावर टूल का होना खतरानाक है।
- ▶ पावर टूल का रखरखाव करें। चलित पुर्जों के अलाइनमेंट के गड़बड़ाने या बाध्यकारी होने, पुर्जों के टूटने और ऐसी किसी भी स्थिति की जाँच करें, जो पावर टूल के संचालन को प्रभावित कर सकती है। यदि क्षतिग्रस्त है, तो उपयोग से पहले पावर टूल को सुधारना होगा। कई हादसे पावर टूल के खराब रखरखाव के कारण होते हैं।
- ▶ काटने वाले उपकरणों को तेज़ और साफ़ रखें। तेज़ कटाई की धार वाले कटिंग उपकरणों के ठीक ठीक रखरखाव से इसे वाइंड करने की संभावना कम होती है और इसे नियंत्रित करना आसान होता है।

► कार्य करने की स्थितियों और कार्य निष्पादित करने के लिए, इन निर्देशों के अनुसार, पावर टूल, एक्सेसरीज़ और टूल बिट आदि का उपयोग करें। संचालन हेतु पावर टूल का इन उद्देश्यों से अलग उपयोग खतरनाक हो सकता है।

सेवा

► केवल समान प्रतिस्थापन भागों का उपयोग करने वाले किसी योग्य मरम्मतकर्ता द्वारा ही अपने पावर टूल की मरम्मत करवाएँ। यह सुनिश्चित करेगा कि पावर टूल की सुरक्षा का सही रखरखाव किया गया है।

एंगल ग्राइंडर के लिए सुरक्षा निर्देश

ग्राइन्डिंग, सैंडिंग, वायर ब्रशिंग या एब्रेसिव कटिंग ऑफ ऑपरेशंस के लिए एक समान सुरक्षा चेतावनी

- इस पावर टूल का उद्देश्य ग्राइन्डर, सैंडर, वायर ब्रश या कट-ऑफ टूल के रूप में कार्य करना है। इस पावर टूल में प्रदत्त समस्त सुरक्षा चेतावनियों, निर्देशों, चित्रणों और विनिर्देशों को पढ़ें। चेतावनियों और निर्देशों का अनुसरण करने में विफल होने के परिणामस्वरूप इलेक्ट्रिक शॉक, आग लगना और/या कोई गंभीर हानि हो सकती है।
- इस पावर टूल के साथ पॉलिशिंग जैसे कार्य करने की सलाह नहीं दी जाती है। जिन कार्यों के लिए पावर टूल नहीं बनाया गया, वे कार्य खतरे का कारण बन सकते हैं और व्यक्तिगत हानि पहुंचा सकते हैं।
- ऐसी एक्सेसरीज़ का उपयोग न करें जो विशेष रूप से टूल निर्माता के द्वारा डिज़ाइन और अनुशंसित नहीं है। सिर्फ इसलिए कि एक्सेसरी आपके पावर टूल से जुड़ सकती है, इसका मतलब यह नहीं है कि यह सुरक्षित कार्य का आश्वासन देती है।
- एक्सेसरी की निर्धारित गति कम से कम पावर टूल पर चिह्नित अधिकतम गति के बराबर होना चाहिए। निर्धारित गति से तेज़ चल रही एक्सेसरी टूट सकती है और अलग हो सकती है।
- आपकी एक्सेसरी का बाहरी व्यास और मोटाई आपके पावर टूल की क्षमता दर के अंदर होना चाहिए। गलत आकार की एक्सेसरी को पर्याप्त रूप से संरक्षित या नियंत्रित नहीं किया जा सकता है।
- एक्सेसरीज़ की ग्रेडेड माउन्टिंग को ग्राइन्डर स्पिन्दल ग्रेड से मैच होना चाहिए। फ्लैन्ज से जुड़ी हुई एक्सेसरीज़ के लिए, एक्सेसरी का आर्बर होल फ्लैन्ज से जुड़े व्यास में फिट होना चाहिए। ऐसी एक्सेसरीज़ जो पावर टूल के माउन्टिंग हार्डवेयर से मैच नहीं खाती है, वह एक्सेसरीज़ संतुलन खत्म कर देगी, ज़रूरत से ज़्यादा कंपन करेगी और नियंत्रण खोने का कारण हो सकती है।
- टूटी हुई एक्सेसरी का उपयोग न करें। हमेशा उपयोग करने से पहले एक्सेसरी जाँच लें, जैसे अब्रेसिव व्हील टूटे न हों और दरार न हों, बैकिंग पैड टूटा न हो, ज़्यादा टूट-फूट न हो, वायर ब्रश ढीला न हो या वायर टूटे न हों। यदि पावर टूल या एक्सेसरी टूटी हुई है, तो नुकसान का पता लगाएँ या बिना टूटी एक्सेसरी लगाएँ। एक्सेसरी में नुकसान का पता लगाने और इस्टाल करने के बाद, अपने आप को और पास खड़े लोगों को घूमने वाली एक्सेसरी के पंखे से दूर करें और एक मिनट के लिए पावर टूल को बिना लोड के अधिकतम गति पर चलाएँ। क्षतिग्रस्त एक्सेसरीज़ आमतौर पर इस परीक्षण समय के दौरान टूट कर अलग हो जाएंगी।

- निजी सुरक्षा उपकरण पहनें। एप्लिकेशन के आधार पर फेस शील्ड, सुरक्षा चश्मे या सुरक्षा ग्लासेस पहनें। जैसा उपयुक्त हो, धूल से बचाने वाला मास्क, हियरिंग प्रोटेक्टर्स, दस्ताने और वर्कशॉप एपिन पहनें जो छोटी चोट या वर्कपीस टुकड़े से बचाने में सक्षम हों। आँखों की सुरक्षा के उपकरण विभिन्न संचालनों से उत्पन्न मलबे को रोकने में सक्षम होना चाहिए। डस्ट मास्क या रेस्पिरैटर आपके संचालन से उत्पन्न कणों को छानने के लिए सक्षम होना चाहिए। लंबे समय तक तेज़ आवाज़ के संपर्क में आने से सुनने की क्षमता खो सकती है।
- आसपास खड़े लोगों को कार्य क्षेत्र से सुरक्षित दूरी पर रखें। कार्य क्षेत्र में प्रवेश करने वालों को निजी सुरक्षा उपकरण पहनना आवश्यक है। वर्कपीस के टुकड़े या टूटी एक्सेसरी दूर उड़ सकती हैं और ऑपरेशन के करीब वाले क्षेत्र में अत्यधिक चोट का कारण बन सकती हैं।
- कार्य करते समय, जहाँ पर कटिंग एक्सेसरी छिपी हुई तारों या अपने कॉर्ड के संपर्क में आ सकती है, ऐसे स्थानों पर पावर टूल को इंसुलेटेड ग्लिपिंग सतहों द्वारा ही पकड़ें। “लाइव” तार के संपर्क में आने वाली कटिंग एक्सेसरी से “लाइव” पावर टूल के धातु वाले भाग खुल सकते हैं और ऑपरैटर को बिलजी का झटका लग सकता है।
- कॉर्ड को स्पिनिंग एक्सेसरी से दूर रखें। यदि आप नियंत्रण खो देते हैं, तो कॉर्ड कट या खिंच सकती है और आपका हाथ या भुजा स्पिनिंग एक्सेसरी में खिंच सकती है।
- जब तक एक्सेसरी पूरी तरह से बंद न हो जाए, तब तक पावर टूल को कभी भी नीचे न रखें। स्पिनिंग एक्सेसरी सतह पर आ सकती है और पावर टूल आपके नियंत्रण से बाहर जा सकता है।
- स्पिनिंग व्हील को अपनी तरफ ले जाते समय, पावर टूल न चलाएँ। स्पिनिंग एक्सेसरी के आकस्मिक संपर्क से, यह आपके शरीर को एक्सेसरी की ओर खींचते हुए आपके कपड़ों को खींच सकता है।
- पावर टूल के वायु छिद्रों को नियमित रूप से साफ़ करें। मोटर फैन घर के अंदर की धूल को खींच लेगा और पिसी हुई धातु के अत्यधिक संपर्क से बिजली के खतरे उत्पन्न हो सकते हैं।
- पावर टूल को ज्वलनशील सामान के पास संचालित न करें। चिंगारी से इस सामान में आग लग सकती है।
- उन एक्सेसरी का उपयोग न करें जिसमें लिक्विड कूलन्ट की आवश्यकता होती है। पानी या अन्य लिक्विड कूलन्ट के उपयोग का नतीजा बिजली से मौत या झटका हो सकता है।

किकबैक और संबंधित चेतावनी

किकबैक संकुचित या चिरे हुए रोटेटिंग व्हील, बैकिंग पैड, ब्रश या किसी भी अन्य एक्सेसरी की तत्काल प्रतिक्रिया है। संकुचित या चीरा होना रोटेटिंग एक्सेसरी के तत्काल बंद होने का कारण हो सकता है, परिणामस्वरूप अनियंत्रित पावर टूल वाइन्डिंग के समय एक्सेसरी के रोटेशन की विपरीत दिशा में धक्के जाते हैं। उदाहरण के लिए, अगर अपघर्षक पहिया वस्तु से फट जाता है या उसमें छेद हो जाते हैं, इससे छेद में जाने वाला पहिए का किनारा सामान की सतह को खोद सकता है जिससे पहिया बाहर निकाला जा सकता है। संकुचन के समय पहिये की गति की दिशा पर निर्भर करता है कि पहिया ऑपरैटर की तरफ जा सकता है या दूर जा सकता है। अपघर्षक पहिए इन परिस्थितियों में टूट भी सकते हैं।

किकबैक पावर टूल के दुरुपयोग और/या गलत संचालन प्रक्रियाओं या परिस्थितियों का नतीजा है और इसे नीचे बताई गई उचित सावधानियों की मदद से बचा जा सकता है।

- ▶ पावर टूल पर मजबूत पकड़ रखें और अपने शरीर और हाथ को इस तरह रखें कि वह किकबैक का बल झेलने की अनुमति देता है। स्टार्ट-अप के दौरान किकबैक या टॉर्क की प्रतिक्रियाओं पर अधिकतम नियंत्रण के लिए, हमेशा सहायक हैंडल का इस्तेमाल करें। अगर उचित सावधानी बरती जाए, तो ऑपरेटर टॉर्क प्रतिक्रियाओं या किकबैक के प्रभाव को नियंत्रित कर सकता है।
- ▶ अपने हाथ को कभी भी घूमने वाली एक्सेसरी के पास न रखें। एक्सेसरी आपके हाथ पर प्रहार कर सकती है।
- ▶ किकबैक होने पर जहाँ पावर टूल जाएगा, उस क्षेत्र में न जाएँ। किकबैक खैगिंग पर व्हील की गति के विपरीत टूल को दकेलेगा।
- ▶ कोनों, धारदार किनारों आदि पर काम करते समय विशेष सावधानी रखें और बाउंस करने वाली और खैगिंग एक्सेसरी से बचें। कोनों, धारदार किनारों या बाउंस वाली एक्सेसरी में घूमने वाली एक्सेसरी को खींचने की प्रवृत्ति होती है और इससे आपका नियंत्रण खो सकता है या यह किकबैक कर सकता है।
- ▶ सॉ चैन बुडकाविंग ब्लेड या दांतेदार सॉ ब्लेड न लगाएँ। ऐसी ब्लेड लगातार किकबैक और नियंत्रण में क्षति पैदा करती हैं।

ग्राइन्डिंग और एग्जिसिव कटिंग-ऑफ ऑपरेशंस के लिए विशिष्ट सुरक्षा चेतावनियाँ

- ▶ केवल उन पहिये के प्रकारों का ही उपयोग करें, जिन्हें आपके पावर टूल और चयनित पहिये के लिए डिज़ाइन किए गए विशिष्ट गार्ड के लिए बताया गया है। जिन पहियों के लिए पावर टूल नहीं बनाया गया हो, उन्हें पर्याप्त रूप से संरक्षित नहीं किया जा सकता है और वे असुरक्षित हैं।
- ▶ केन्द्र से दबे हुए पहिये की ग्राइन्डिंग सतह को गार्ड लिफ के प्लेन के नीचे माउंट होना चाहिए। एक अनुचित तरीके से माउण्टेड व्हील जो गार्ड लिफ के प्लेन के माध्यम से प्रोजेक्ट करता है, उसे पर्याप्त रूप से संरक्षित नहीं किया जा सकता है।
- ▶ गार्ड पावर टूल से सुरक्षित रूप से जुड़ा होना चाहिए और अधिकतम सुरक्षा के लिए उपयुक्त स्थान पर होना चाहिए, जिससे ऑपरटर की ओर कम मात्रा में पहिया दिखे। गार्ड ऑपरटर को टूटे हुए पहिये के टुकड़े, पहिये के साथ अनावश्यक संपर्क और उस चिंगारी से बचाने में मदद करता है जो कपड़ों को जला सकती है।
- ▶ पहियों का उपयोग केवल सुझाए गए एप्लिकेशन के लिए ही करें। उदाहरण के लिए: कट-ऑफ व्हील्स के किनारे को घिसें नहीं। अपघर्षक कट-ऑफ व्हील का उद्देश्य पेरिफेरल ग्राइन्डिंग है, एक ओर से लगने वाले बल से यह पहिए टूट सकते हैं।
- ▶ हमेशा बिना उपयोग किये हुए व्हील फ्लैन्जेस का ही उपयोग करें, जो आपके चयनित पहिये के लिए सही आकार और आकृति का हों। सही व्हील फ्लैज पहिए को सहारा देते हैं जिससे पहिए के टूटने की आशंका कम हो जाती है। कट-ऑफ व्हील के लिए फ्लैन्जेस, ग्राइन्डिंग व्हील फ्लैन्जेस से अलग हो सकते हैं।
- ▶ बड़े पावर टूल के घिसे हुए पहियों का उपयोग न करें। बड़े पावर टूल के लिए नियत पहिया एक छोटे टूल की उच्च गति के लिए उपयुक्त नहीं है और फट सकता है।

विशेष रूप से एग्जिसिव कटिंग ऑफ ऑपरेशंस के लिए अतिरिक्त सुरक्षा चेतावनियाँ

- ▶ कट-ऑफ व्हील को "जाम" न करें या अत्यधिक बल न लगाएँ। कट की अत्यधिक गहराई बनाने का प्रयास न करें। पहिए पर अत्यधिक बल डालने से भार और पहिए के कट में मोड़ने या जाम होने की संवेदनशीलता और किकबैक या पहिया टूटने की संभावना बढ़ जाती है।
- ▶ घूमते हुए पहिए के बराबर में और पीछे खड़े न हों। चलाते समय, जब पहिया आपके शरीर से दूर जा रहा हो, तो संभावित किकबैक स्पिनिंग व्हील और पावर टूल को सीधे आप पर धकेल सकता है।
- ▶ जब व्हील बंधा हुआ हो या किसी कारण से कट को बाधित कर रहा हो, तो पावर टूल को बंद कर दें और जब तक व्हील पूरी तरह से बंद न हो जाए, तब तक पावर टूल को बंद रखें। पहिये के गति में होने पर कभी भी कट-ऑफ व्हील को कट से हटाने का प्रयास न करें, अन्यथा किकबैक हो सकता है। पहिए को जाम होने की वजह को हटाने के लिए जाँच करें और सुधारात्मक कार्रवाई करें।
- ▶ वस्तु में काटने का संचालन दोबारा शुरू न करें। पहिए को पूर्ण गति तक पहुँचने दें और सावधानीपूर्वक कट में दोबारा प्रवेश करने दें। अगर पावर टूल को वस्तु में दोबारा शुरू किया जाता है तो पहिया जाम हो सकता है, पास आ सकता है या किकबैक हो सकता है।
- ▶ व्हील पिचिंग और किकबैक के जोखिम को कम करने के लिए पैनल या किसी भी ओवरसाइज़ वर्कपीस की सहायता लें। बड़ी वस्तुएँ अपने ही भार के दबाव में आ जाती हैं। वस्तु के नीचे सहार को कट की रेखा और पहिए के दोनों ओर वस्तु के किनारे के पास रखना चाहिए।
- ▶ मौजूदा दीवारों या अन्य अंधेरे क्षेत्रों में "पकित कट" बनाते समय अतिरिक्त सावधानी बरतें। उभरा हुआ व्हील गैस या पानी के पाइप, विजली की तारों या उन वस्तुओं को काट सकता है, जो किकबैक का कारण बन सकते हैं।

विशेष रूप से सैंडिंग ऑपरेशंस के लिए सुरक्षा चेतावनियाँ

- ▶ ज़रूरत से ज़्यादा बड़े सैंडिंग डिस्क पेपर का उपयोग न करें। सैंडिंग पेपर चुनते समय उत्पादक की सलाह का पालन करें। सैंडिंग पेड से बड़े सैंडिंग पेपर एक लैक्रेन खतरा सामने लाते हैं और खैगिंग, डिस्क टूट या किकबैक का कारण हो सकते हैं।

विशेष रूप से वायर ब्रशिंग ऑपरेशंस के लिए सुरक्षा चेतावनियाँ

- ▶ ध्यान रखें कि सामान्य ऑपरेशन के दौरान भी ब्रश से वायर त्रिसल गिर जाते हैं। ब्रश पर अत्यधिक लोड लगाकर वायर को ओवरस्ट्रेस न करें वायर त्रिसल हल्के कपड़ों और/या त्वचा में आसानी से घुस सकते हैं।
- ▶ यदि वायर ब्रशिंग के लिए गार्ड का उपयोग करने की सलाह दी गई है, तो वायर व्हील या ब्रश के साथ गार्ड में किसी भी तरह का हस्तक्षेप करने की अनुमति न दें। वायर व्हील या ब्रश कार्यभार और अपकेंद्री बल के कारण व्यास में फैल सकते हैं।

अतिरिक्त सुरक्षा निर्देश



कृपया अपना सुरक्षा चश्मा पहनें।

- ▶ छिपी हुई आपूर्ति लाइनों का पता लगाने के लिए उपयुक्त खोज यंत्रों का प्रयोग करें अथवा स्थानीय आपूर्ति कंपनी से परामर्श करें। विजली लाइनों के साथ संपर्क में आने से आग या विजली के झटके के कारण हो सकते हैं। गैस लाइन के

क्षतिग्रस्त होने से स्फोट का खतरा हो सकता है। पानी के लाइन में घुसने पर वस्तुओं का नाश या बिजली के झटके लग सकते हैं।

- ▶ पीसने और काटने वाली आरी को जबतक वह शांत न हो जाए तबतक कृपया उसे न छुए। डिस्क काम के दौरान बहुत गरम हो जाते हैं।
- ▶ जब बिजली चली जाए या खींचने कि वजह से बिजली बंद हो जाए तब ऑन-ऑफ करनेवाली बटन खोलकर उसे बंद पर लाइए। यह एक अनियंत्रित पुनारारंभ रोकता है।
- ▶ जिस हिस्से पर काम होना है उसे सुरक्षित कर लें। हात से ज्यादा एक तनाव उपकरण या थिकेज से कसे कार्य घटक अधिक सुरक्षित होता है।

उत्पाद और सेवा का विवरण



सभी सुरक्षा चेतावनियां और निर्देश सुरक्षा चेतावनियों और निर्देशों का पालन नहीं करने पर बिजली का झटका, आग और गंभीर चोट लगने का खतरा है।

कृपया संचालन निर्देश के अगले भाग में दिए गए चित्रों पर ध्यान दें।

लक्षित उद्देश्य के लिए उपयोग

पावर टूल का उपयोग बिना पानी के उपयोग से कटाने, घिसने और धातु तथा पत्थर के ब्रश करने के लिए करें।

बंधे हुए उपघर्षकों काटने के लिए कटाने के लिए एक विशेष सुरक्षा कवच का इस्तेमाल करें।

पत्थर को काटते समय पर्याप्त धूल निकासी सुनिश्चित करें।

अनुमति प्राप्त घर्षण उपकरण के साथ पावर टूल से रेतमाल का भी इस्तेमाल कर सकते हैं।

चित्रित घटक

चित्रित घटकों की नंबरिंग ग्राफिक पेज पर पावर टूल के चित्रण को संदर्भित करती है।

- (1) धुरी का लॉक बटन
- (2) चालू/बंद स्विच
- (3) अतिरिक्त हैंडल (इन्सुलेट की हुई हैंडल सतह)
- (4) पीसने वाले स्पिंडल M10 के लिए संयोजन स्पैनर^{a)}
- (5) घर्षण धुरी
- (6) घर्षण के लिए सुरक्षा कवच
- (7) सुरक्षा कवर के लिए फिक्सिंग स्क्रू
- (8) ओ-रिंग युक्त रिसेप्शन फ्लाइंग
- (9) घर्षण डिस्क^{a)}
- (10) कसाई नट
- (11) टंगस्टन कार्बाइड कप डिस्क^{a)}
- (12) काटने के लिए सुरक्षा कवच^{a)}
- (13) कटिंग डिस्क^{a)}
- (14) हाथ की सुरक्षा^{a)}
- (15) रबर ग्राइन्डींग प्लेट^{a)}
- (16) सैंडिंग शीट^{a)}
- (17) राउंड नट^{a)}
- (18) कप ब्रश^{a)}

(19) हस्त हैंडल (इन्सुलेट की गई हैंडल सतह)

- a) सचित्र या वर्णित सहायक उपकरण वितरण के मानक क्षेत्र का हिस्सा नहीं है। आपको हमारे सर्व उपकरणों के एक्सेसरीज़ हमारे एक्सेसरीज़ प्रोग्राम में प्राप्त होंगे।

तकनीकी डेटा

कोने का घर्षण उपकरण	GWS 750-100	
आर्टिकल संख्या	3 601 C94 0..	
मूल्यांकित इनपुट पावर	W	750
आउटपुट पावर	W	380
रेटेंड गति	/मि-1	11000
अधिकतम घर्षण डिस्क चौड़ाई	मिमी	100
घर्षण धुरी पेच		M10
अधिकतम घर्षण धुरी की पेच प्रणाली	मिमी	17
वजन EPTA-Procedure 01:2014 के अनुसार		
- कंपनी रोधक अतिरिक्त हैंडल के साथ	किग्रा	1,9
- सामान्य अतिरिक्त हैंडल के साथ	किग्रा	1,8
सुरक्षा श्रेणी		□ / II

आंकड़े 230 V के एक रेटेंड बोल्टेज [U] के लिए हैं। बोल्टेज परिवर्तन और देश-विशिष्ट डिज़ाइनों के अनुसार यह प्रमाण अलग हो सकते हैं।

मूल्य उत्पाद के अनुसार अलग हो सकते हैं और ये उपयोग और पर्यावरण की स्थितियों पर आधारित हैं। अधिक जानकारी के लिए देखें www.bosch-professional.com/wac.

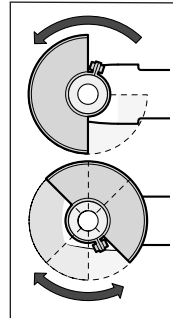
मोंटा

सुरक्षात्मक उपकरण का उपयोग करें

- ▶ पावर टूल पर कोई कार्य करते समय प्लग को सॉकेट से निकाल लें।

नोट: यदि परिचालन के दौरान पीसने वाला पहिया टूट जाता है या यदि सुरक्षात्मक हुड / पावर टूल पर होलिंग डिवाइस खराब हो जाते हैं, तो पावर टूल को तुरंत ग्राहक सेवा में भेजा जाना चाहिए, पते के लिए, "ग्राहक सेवा और उपकरण सलाह" अनुभाग देखें।

घर्षण के लिए सुरक्षा कवच



स्पिंडल गर्दन पर सुरक्षात्मक हुड (6) रखें। काम की आवश्यकता अनुसार सुरक्षा कवर (6) की स्थिति को समायोजित करें। सुरक्षा कवर (6) को, लॉकिंग स्क्रू (7) को संयोजन स्पैनर (4) के साथ कसकर खींचके, लॉक करें।

- ▶ सुरक्षात्मक हुड (6) को सेट करें ताकि ऑपरेटर की ओर उड़ने वाली स्पार्क को रोका जा सके।

सूचना: कोडिंग कैम सुरक्षात्मक आवरण पर (6) सुनिश्चित करें कि केवल एक सुरक्षात्मक आवरण बिजली उपकरण के लिए उपयुक्त रखा जा सकता है।

काटने के लिए सुरक्षा कवच

- ▶ बंधे हुए अपघर्षक के साथ काटने पर, (12) को काटने के लिए हमेशा सुरक्षात्मक आवरण का उपयोग करें।
- ▶ पत्थर में काटते समय पर्याप्त धूल निकासी सुनिश्चित करें। (12) को काटने के लिए सुरक्षात्मक हुड को (6) को पीसने के लिए सुरक्षात्मक हुड की तरह रखा गया है।

अतिरिक्त हैंडल

- ▶ अपने पावर टूल का उपयोग केवल अतिरिक्त हैंडल के साथ करें। (3)
- ▶ यदि अतिरिक्त हैंडल क्षतिग्रस्त हो, तो पावर टूल का उपयोग न करें। अतिरिक्त हैंडल में कोई परिवर्तन न करें।

अतिरिक्त हैंडल (3) को काम करने की विधि के अनुसार गियर हेड पर दाएँ या बाएँ घुमाएँ।

कंपन को अवशोषित करने अतिरिक्त संभाल



अतिरिक्त संभाल पेंच (3) को काम करने की विधि के अनुसार गियरबॉक्स सिर पर दाएँ या बाएँ घुमाएँ।

कंपन-रोधक अतिरिक्त संभाल कम-कंपन को सक्षम करता है और इस प्रकार अधिक आरामदायक और सुरक्षित काम करता है।

- ▶ अपने पावर टूल का उपयोग केवल अतिरिक्त हैंडल के साथ करें। (3)
 - ▶ सहायक संभाल में कोई बदलाव न करें।
- क्षतिग्रस्त अतिरिक्त हैंडल का उपयोग न करें।

हस्त सुरक्षा

- ▶ रबर सैंडिंग पैड (15) या कप ब्रश/डिस्क ब्रश/फ्लैप डिस्क के साथ काम करते समय हमेशा हस्त सुरक्षा (14) का उपयोग करें।

अतिरिक्त सुरक्षा (3) के साथ हस्त सुरक्षा (14) को संलग्न करें।

अपघर्षक उपकरण स्थापित करें

- ▶ पावर टूल पर कोई कार्य करते समय प्लग को सॉकेट से निकाल लें।
- ▶ पीसने और काटने वाली आरी को जबतक वह शांत न हो जाएं तबतक कृपया उसे न छुएँ। डिस्क काम के दौरान बहुत गरम हो जाते हैं।

घर्षण धुरी (5) और सभी भागों को इकट्ठा करके साफ करें।

घर्षण उपकरण को स्थापित करने में मदद करने के लिए पिसाई धुरी को कसने या ढीला करने के लिए धुरी-लॉक बटन (1) दबाएं।

- ▶ स्पिंडल लॉक बटन केवल तभी दबाएं जब घर्षण धुरी ठहराव पर हो। अन्यथा पावर टूल खराब हो सकता है।

पिसाई/कटाई डिस्क

घर्षण उपकरण के आकारमान पर ध्यान दें। छेद का व्यास रिसेप्टर फ्लाईंग से सटीक मिलना चाहिए। एडाप्टर या रिज्यूसर का प्रयोग न करें।

ध्यान दें की जब डायमंड कटिंग डिस्क का इस्तेमाल कर रहें हो, तो डायमंड कटिंग डिस्क पर लगा घुमाने की दिशा का तीर और पावर टूल के घूर्णन की दिशा (गियर हेड पर लगे घूर्णन दिशा तीर को देखें) एकसमान हो।

स्थापना के क्रम को ग्राफिक पृष्ठ पर दिखाया गया है।

ग्राइन्डिंग/कटिंग डिस्क को कसने के लिए, क्लैमपिंग नट (10) को अनसूक करें और इसे संयोजन स्पैन्डर (4) के साथ कसें।

- ▶ स्थापना के बाद पिसाई उपकरण को चालू करने से पहले जांचें, की पिसाई उपकरण ठीक से स्थापित हुआ है और मुक्त रूप से घूमता है। सुनिश्चित करें कि, पिसाई उपकरण सुरक्षा कवच या अन्य पुर्जों पर घिस नहीं रहा।

पीसने वाले स्पिंडल M10 के लिए रिसेप्टर फ्लाईंग:

रिसेप्टर फ्लाईंग का उपयोग दोनों तरफ से किया जा सकता है।

विशेष पिसाई डिस्क

- ▶ विशेष पिसाई डिस्क के साथ काम करते समय हमेशा हस्त सुरक्षा (14) का उपयोग करें।

रेतमाल का रबर का पैड

- ▶ रबर सैंडिंग पैड (15) के साथ काम करते समय हमेशा हस्त सुरक्षा (14) का उपयोग करें।

स्थापना के क्रम को ग्राफिक पृष्ठ पर दिखाया गया है।

गोल नट (17) को खोलें और इसे संयोजन स्पैन्डर के साथ कसें (4)।

कप ब्रश/ डिस्क ब्रश

- ▶ पॉट ब्रश या डिस्क ब्रश के साथ काम करते समय हमेशा हस्त सुरक्षा (14) का उपयोग करें।

स्थापना के क्रम को ग्राफिक पृष्ठ पर दिखाया गया है।

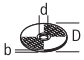


कप ब्रश/डिस्क ब्रश को तब तक पिसाई पेंच पर कसें, जब तक घर्षण धुरी के उभरे हुए किनारों का अंतिम धागे पर निर्धारित हो। कप ब्रश/डिस्क ब्रश को रेंची से कसें।

अनुमत घर्षण उपकरण

आप सभी जानेमाने पिसाई उपकरणों के लिए यह ऑपरेटिंग निर्देश इस्तेमाल कर सकते हैं।

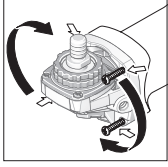
अनुमेय गति [मिनट⁻¹] या उपयोग किए जाने वाले ग्राइंडिंग उपकरण के परिधीय गति [m/s] नीचे दी गई तालिका विवरण के अनुसार अनुरूप होना चाहिए।

इसलिए, ग्राइंडिंग उपकरण के लेबल पर अनुमेय गति या परिधीय गति पर ध्यान दें।

	अधिकतम. [मिमी]	[मिमी]		
	D	b	d	[min ⁻¹] m/s
	100	6	16,0	11000 80
	100	-	-	11000 80
	70	30	M 10	11000 45

गियर हेड घुमाएं

- ▶ पावर टूल पर कोई कार्य करते समय प्लग को सॉकेट से निकाल लें।



आप 90 डिग्री में गियर सिर घुमा सकते हैं। इस तरह से ऑन/ऑफ़ स्विच को विशिष्ट कार्य परिस्थितियों, जैसे बाएं हाथ से काम करने के लिए समुचित संचालन की स्थिति में लाया जा सकता है।

4 स्कू पूरी तरह बहार निकालें। आवास से बिना हटाए सावधानी से गियर सिर को नई स्थिति में घुमाएं। 4 स्कूओं को फिरसे कसें।

धूल / चिप वैक्यूम निष्कर्षण

सामग्री की धूल जैसे युक्त लीड पेंट, कुछ लकड़ी की प्रजातियों, खनिज एवं धातु हानिकारक हो सकते हैं। धूल से युक्त पेंट लीड के रूप में सामग्री, कुछ लकड़ी प्रजातियों, खनिज और धातु हानिकारक होती हैं। हो सकता है इनके के साथ संपर्क या साँस लेने से उपयोगकर्ता या आसपास के व्यक्तियों को धूल की एलर्जी और साँस की बीमारियों का कारण हो सकता है। विशिष्ट धूल जैसे ओक या वीच की धूल के रूप में विशेष रूप से लकड़ी उपचार के लिए योजकों का संयोजन किए हुए कार्सिनोजन (क्रोमेट, परिरक्षक लकड़ी), वर्गीकृत किए गये हैं। एसबेस्टस युक्त सामग्री पर केवल विशेषज्ञों द्वारा काम किया जा सकता है।

- यदि संभव हो तो एक धूल निकासी प्रणाली उपयुक्त सामग्री के लिए का उपयोग करें।
- कार्यस्थल के लिए अच्छा वेंटिलेशन प्रदान करें।
- यह फिल्टर वर्ग P2 के साथ एक सुरक्षात्मक मास्क पहनने के लिए सिफारिश की गई है।

जिन सामग्रियों पर काम करना है, उनके संदर्भ में अपने देश में लागू प्रावधानों का ध्यान रखें।

- ▶ कार्य स्थल पर धूल को जमा न होने दें। धूल में आसानी से आग लग सकती है।

संचालन

प्रथम शुरुआत

- ▶ **वोल्टेज नोट करें। पावर का वोल्टेज पावर टूल के टाइप प्लेट पर दी गई जानकारी से मिलता जुलता होना चाहिए। 230 V के साथ चिह्नित बिजली उपकरण 220 V पर भी कनेक्ट कर सकते हैं।**

जब बिजली उपकरण मोबाइल जनरेटर (जेनरेटर), जो पर्याप्त कार्य भंडारण उपयुक्त वोल्टेज विनियमन, कार्य क्षमता के अवक्रमण कारण हो सकते हैं या जब आप चालू करें व्यवहार हो सकता है।

कृपया ध्यान दें जेनरेटर आपके द्वारा, और विशेष रूप से साधन वोल्टेज आवृत्ति के संबंध में प्रयुक्त की उपयुक्तता।

चालू करना/बंद करना

बिजली उपकरण शुरू करने के लिए चालू/बंद स्विच (2) आगे दबाएँ।

बंद करने के लिए, (2) चालू/बंद स्विच (2) नीचे तक सामने दबाएँ।

बिजली उपकरण बंद करने के लिए, चालू/बंद स्विच (2) दबाकर बंद करें, चालू/बंद स्विच(2)नीचे दबाकर छोड़ दें।

- ▶ उपयोग करने से पहले पीसने के उपकरणों को जाँच लें। पीसने का उपकरण सही ढंग से स्थापित होना चाहिए और स्वतंत्र रूप से घुम सके इस स्थिति में होना चाहिए। बिना लोड दिए कम से कम 1 मिनट के लिए चला कर जांच लें। कृपया क्षतिग्रस्त, गैर-परिपत्र या हिलने वाले पीसने के उपकरण का उपयोग न करें। क्षतिग्रस्त पिसाई उपकरण चकनाचूर हो सकता है और चोट का कारण बन सकता है।

कार्य निर्देश

- ▶ पावर टूल पर कोई कार्य करते समय प्लग को सॉकेट से निकाल लें।
- ▶ भारवाही दीवारों को काटने समय सावधानी बरतें, इसके लिए „संरचनात्मक विश्लेषण से सम्बंधित निर्देश“ अनुभाग देखें।
- ▶ वर्कपीस को कसें, जब तक की यह अपने वजन के सापेक्ष सुरक्षित नहीं हो जाता।
- ▶ पावर टूल को बहुत ज्यादा लोड नहीं करें, कि वह एकदम ही बंद हो जाएँ।
- ▶ पावर टूल का अधिक उपयोग करने के बाद उसे ठंडा होने के लिए कुछ मिनट उपयोग में नहीं लाएं।
- ▶ कटाई डिस्क के साथ पावर टूलस को इस्तेमाल नहीं करें।
- ▶ पीसने और काटने वाली आरी को जबतक वह शांत न हो जाएँ तबतक कृपया उसे न छुएँ। डिस्क काम के दौरान बहुत गरम हो जाते हैं।

कच्ची पिसाई

- ▶ कभी भी कटाई डिस्क का प्रयोग पिसाई के लिए नहीं करें।

30° से 40° के बर्क एंगल के साथ आपको ग्राइंडिंग के लिए सबसे अच्छा परिणाम मिलता है। उपकरण को माध्यम दबाव से आगे और पीछे की जाएँ। इससे कार्य घटक ज्यादा गरम नहीं होगा, बेरंग नहीं होता अणि उस पर खांचे भी नहीं होती।

विशेष पिसाई डिस्क

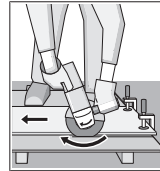
फ्लेप डिस्क (एक्सेसरीज) के साथ आप घुमावदार सतहों पर और प्रोफाइलों पर काम कर सकते हैं। फ्लेप डिस्क का जीवन काल लम्बा होता है, कम शोर करते हैं, और पारंपरिक पिसाई पहियों के तुलना में कम तापमान में घर्षण करते हैं।

धातु से काटना

- ▶ **बंधे हुए अपघर्षक के साथ काटने पर, (12) को काटने के लिए हमेशा सुरक्षात्मक आवरण का उपयोग करें।**

मध्यम दबाव के साथ फ्लेप डिस्क कटाई के दौरान फैशन, सामग्री मशीनीकृत अनुकूलित करते हैं कटाई डिस्क पर न दबाव, झुकाव या हिलना लागू नहीं होता।

बहार निकलने वाली कटाई डिस्क को विरुद्ध दिशा में दबाव डालके ना रोकें।



पावर टूल को एक सामान दबाव के साथ चलन चाहिए। अन्यथा यह खतरा होता है की वह, स्लॉट में से अनियंत्रित दबने का खतरा है। प्रोफाइल और स्क्राइल ड्यूब को काटते समय, सबसे छोटे क्रॉस-सेक्शन का उपयोग करना सबसे अच्छा है।

पत्थर से काटना

- ▶ पत्थर में काटते समय पर्याप्त धूल निकासी सुनिश्चित करें।
- ▶ धूल से सुरक्षा के लिए मास्क पहनें।
- ▶ पावर टूल का उपयोग केवल ड्राई कर्टिंग / ड्राई पीस के लिए किया जा सकता है।

पत्थर की सर्वोत्तम कटाई के लिए हीरे युक्त कटाई डिस्क का इस्तेमाल करें।

अति कठिन सामग्री को कटाने के समय, उदाहरणार्थ बजरी सामग्री हिरा युक्त कर्तन डिस्क ज्यादा गरम हो जाती है और उससे क्षतिग्रस्त हो जाती है। एक हीरे के कर्तन डिस्क से निश्चित धूल कण उसके अंतर चले जाते हैं।

ऐसी स्थिति में कटाई रोकें एवं हिरा युक्त कटाई डिस्क को कुछ पलों के लिए खली चलने दें जिससे वह ठंडा हो जाए।

काफ़ी काम बढ़ चुका है और एक परिधीय रिम धूल को कम करने के लिए एक सुस्त हीरा पहिया के संकेत मिल रहे हैं। अपघर्षक सामग्री आप छोटे कटे स्लॉट्स में जैसे चुना वाले पत्थर से फिरसे तेज कर सकते हैं।

स्टैटिक्स के लिए निर्देश

लोड-बेयरिंग दीवारों पर स्लॉट्स देश के विशिष्ट कानूनों पर आधारित हैं। यह नियमोंका पालन अनिवार्य है। काम शुरू करने से पहले जिम्मेदार स्टैटिक शिल्पकार या प्रासंगिक घटक सलाहकार से सलाह लें।

देखभाल एवं सर्विस

देखभाल एवं सफाई

- ▶ पावर टूल पर कोई कार्य करते समय प्लग को सर्किट से निकाल लें।
- ▶ अच्छी तरह काम करने के लिए और सुरक्षा के लिए, पावर टूल्स एवं वेंटिलेशन स्लॉट्स को साफ रखें।
- ▶ दुष्कर कार्य परिस्थितियों में, यदि संभव हो तो, हमेशा एक निकास इकाई का उपयोग करें। वेंटिलेशन स्लॉट को बार-बार बाहर करें और एक बाह्य करंट सर्किट ब्रेकर (PRCD) कनेक्ट करें। धातुओं के प्रसंस्करण में, प्रवाहकीय धूल पावर टूल्स के अंदर प्रवेश कर सकते हैं। पावर टूल के सुरक्षात्मक इन्सुलेशन में बिगड़ा हो सकता है।

एक्सेसरीज को ध्यान से संग्रहण एवं प्रबंधन करें।

कनेक्शन केबल को बदलने की आवश्यकता पड़ने पर, सुरक्षा से सम्बंधित खतरों एवं जोखिमों से बचने के लिए इसे सिर्फ Bosch द्वारा या Bosch ग्राहक सेवा केंद्र द्वारा बदला जाना चाहिए या उनके द्वारा अधिकृत किया जाना चाहिए।

ग्राहक सेवा एवं उपयोग सलाह

ग्राहक सेवा आपके उनके उत्पादनों तथा देखभाल के विषय में आपके सवालों का जवाब देगी। स्पेयर पार्ट्स के बारे में अधिक जानकारी और विस्तृत (एक्सप्लोडेड) दृश्य यहां भी मिल सकते हैं: www.bosch-pt.com

Bosch की एप्लीकेशन परामर्श टीम हमारे उत्पादों और उनके सहायक उपकरणों के संदर्भ में आपके सभी प्रश्नों में आपकी सहायता करेगी।

पत्राचार के दौरान तथा स्पेयर पुर्जों का ऑर्डर देते समय, उत्पाद के लेबल पर दर्ज 10 अंको वाली आर्टिकल संख्या अवश्य प्रदान करें।

भारत

Bosch सर्विस सेंटर
69, हवीबुल्लाह रोड, (पीएसबीवी स्कूल के आगे), टी. नगर
चेन्नई - 600077

फ़ोन: (044) 64561816

Bosch सर्विस सेंटर

18, कम्प्यूनिटी

सेंटरफेस 1, मायापुरी

नई दिल्ली - 110064

फ़ोन: (011) 43166190

Bosch सर्विस सेंटर

शॉप नंबर 7 और 8, एस्पेन गार्डन

वालभट रोड, गोरेगांव (ई)

राम मंदिर रेल्वे स्टेशन के पास

मुंबई - 400063

मोबाइल: 09819952950

निपटान

पावर टूल्स, सहायक उपकरणों और पैकेजिंग का पुनर्चक्रण पर्यावरण के अनुकूल किया जाना चाहिए।



बिजली उपकरणों का निपटान घरेलू कचरे में न करें!

