



# GSR | GSB Professional

18V-50



Robert Bosch Power Tools GmbH  
70538 Stuttgart  
GERMANY

[www.bosch-pt.com](http://www.bosch-pt.com)

1 609 92A A04 (2024.09) TAG / 71

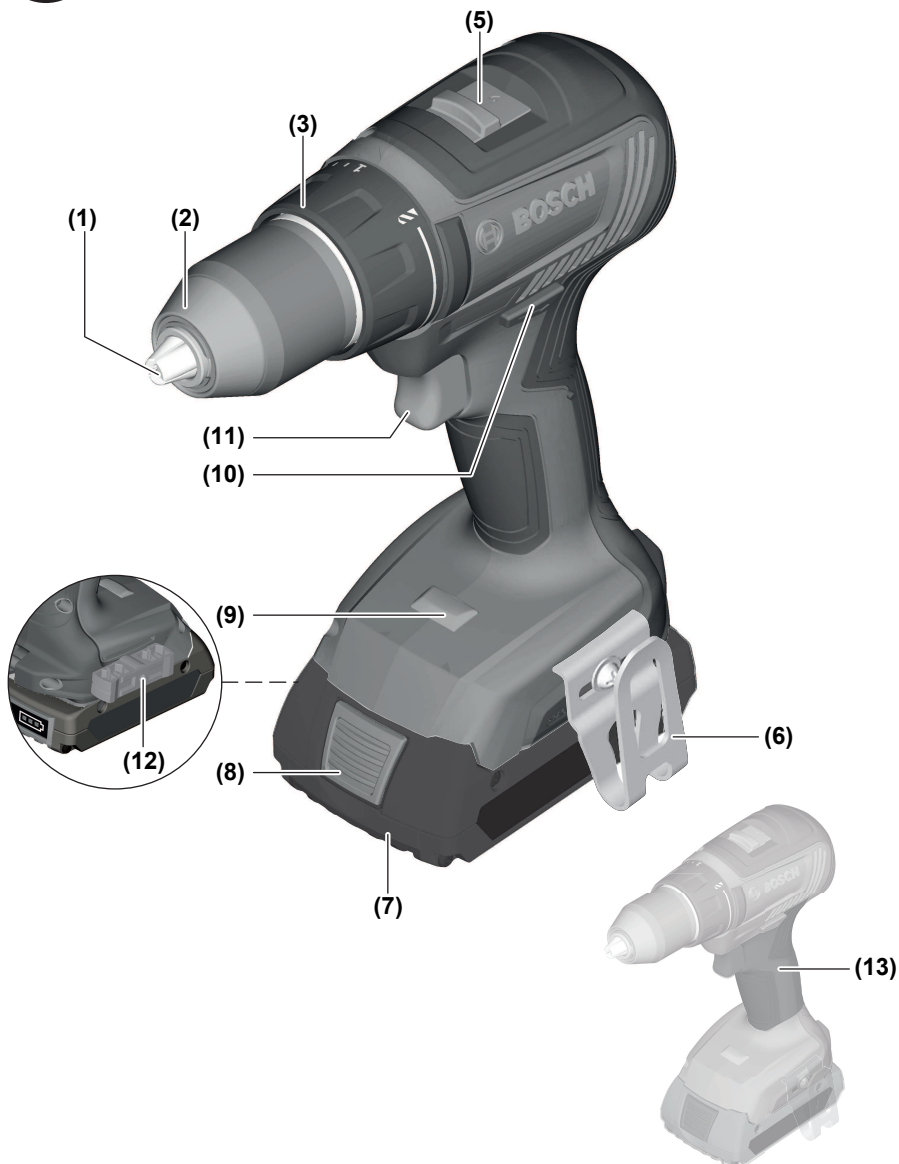


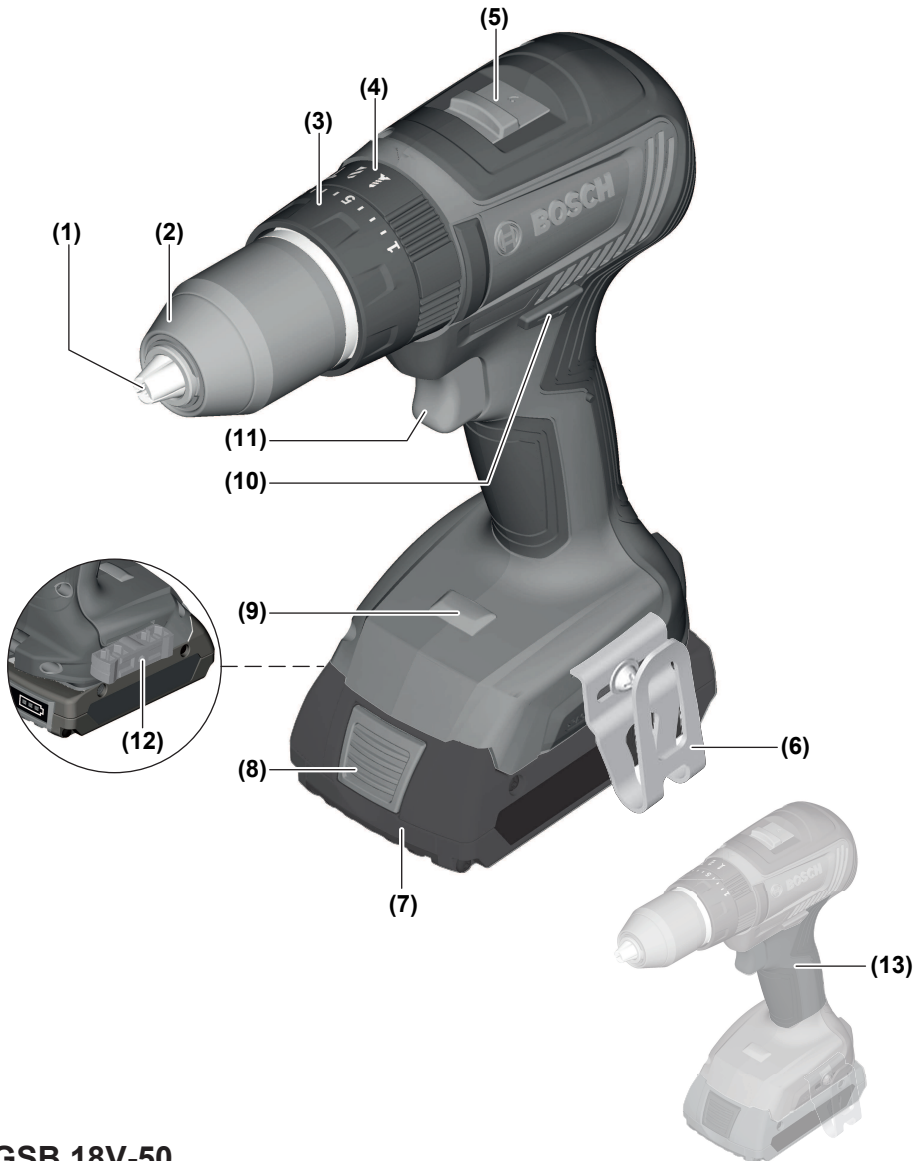
1 609 92A A04

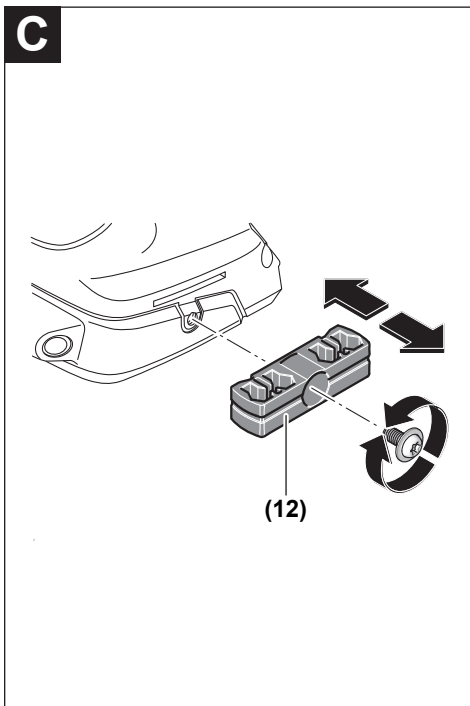
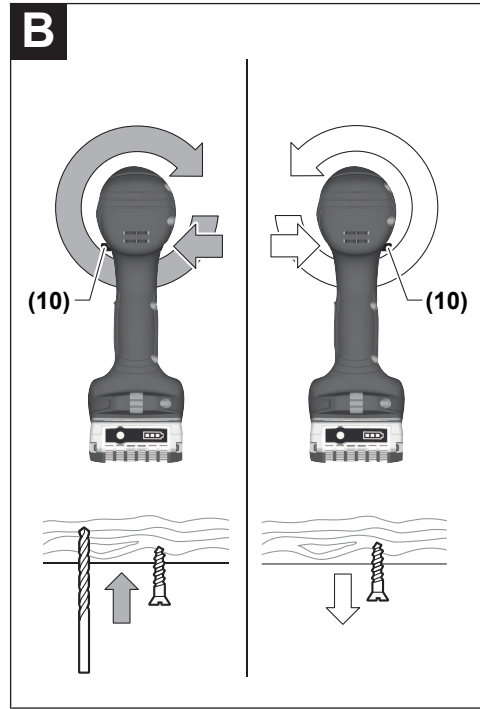
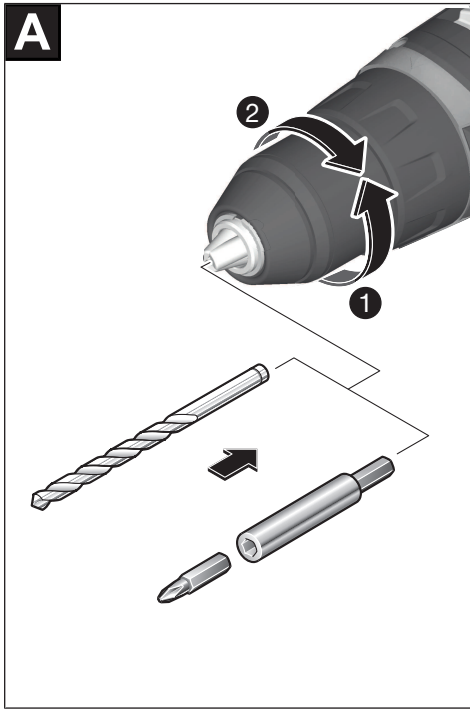
- en Original instructions
- fr Notice originale
- pt Manual original
- zh 正本使用说明书
- zh 原始使用說明書
- th หนังสือคู่มือการใช้งานฉบับต้นแบบ
- id Petunjuk-Petunjuk untuk Penggunaan Orisinal
- vi Bản gốc hướng dẫn sử dụng
- ar دليل التشغيل الأصلي
- fa دفترچه راهنمای اصلی



English .....	Page	6
Français .....	Page	12
Português .....	Página	18
中文 .....	頁	25
繁體中文 .....	頁	30
ไทย .....	หน้า	35
Bahasa Indonesia .....	Halaman	41
Tiếng Việt .....	Trang	47
عربي .....	الصفحة	54
فارسی .....	صفحه	60
CE .....		

**GSR 18V-50**

**GSB 18V-50**



# English

## Safety Instructions

### General Power Tool Safety Warnings

**⚠ WARNING** Read all safety warnings, instructions, illustrations and specifications provided with this power tool. Failure to follow all instructions listed below may result in electric shock, fire and/or serious injury.

**Save all warnings and instructions for future reference.**

The term "power tool" in the warnings refers to your mains-operated (corded) power tool or battery-operated (cordless) power tool.

#### Work area safety

- ▶ **Keep work area clean and well lit.** Cluttered or dark areas invite accidents.
- ▶ **Do not operate power tools in explosive atmospheres, such as in the presence of flammable liquids, gases or dust.** Power tools create sparks which may ignite the dust or fumes.
- ▶ **Keep children and bystanders away while operating a power tool.** Distractions can cause you to lose control.

#### Electrical safety

- ▶ **Power tool plugs must match the outlet. Never modify the plug in any way. Do not use any adapter plugs with earthed (grounded) power tools.** Unmodified plugs and matching outlets will reduce risk of electric shock.
- ▶ **Avoid body contact with earthed or grounded surfaces, such as pipes, radiators, ranges and refrigerators.** There is an increased risk of electric shock if your body is earthed or grounded.
- ▶ **Do not expose power tools to rain or wet conditions.** Water entering a power tool will increase the risk of electric shock.
- ▶ **Do not abuse the cord. Never use the cord for carrying, pulling or unplugging the power tool. Keep cord away from heat, oil, sharp edges or moving parts.** Damaged or entangled cords increase the risk of electric shock.
- ▶ **When operating a power tool outdoors, use an extension cord suitable for outdoor use.** Use of a cord suitable for outdoor use reduces the risk of electric shock.
- ▶ **If operating a power tool in a damp location is unavoidable, use a residual current device (RCD) protected supply.** Use of an RCD reduces the risk of electric shock.

#### Personal safety

- ▶ **Stay alert, watch what you are doing and use common sense when operating a power tool. Do not use a power tool while you are tired or under the influence of drugs, alcohol or medication.** A moment of inatten-

tion while operating power tools may result in serious personal injury.

- ▶ **Use personal protective equipment. Always wear eye protection.** Protective equipment such as a dust mask, non-skid safety shoes, hard hat or hearing protection used for appropriate conditions will reduce personal injuries.
- ▶ **Prevent unintentional starting. Ensure the switch is in the off-position before connecting to power source and/or battery pack, picking up or carrying the tool.** Carrying power tools with your finger on the switch or energising power tools that have the switch on invites accidents.
- ▶ **Remove any adjusting key or wrench before turning the power tool on.** A wrench or a key left attached to a rotating part of the power tool may result in personal injury.
- ▶ **Do not overreach. Keep proper footing and balance at all times.** This enables better control of the power tool in unexpected situations.
- ▶ **Dress properly. Do not wear loose clothing or jewellery. Keep your hair and clothing away from moving parts.** Loose clothes, jewellery or long hair can be caught in moving parts.
- ▶ **If devices are provided for the connection of dust extraction and collection facilities, ensure these are connected and properly used.** Use of dust collection can reduce dust-related hazards.
- ▶ **Do not let familiarity gained from frequent use of tools allow you to become complacent and ignore tool safety principles.** A careless action can cause severe injury within a fraction of a second.

#### Power tool use and care

- ▶ **Do not force the power tool. Use the correct power tool for your application.** The correct power tool will do the job better and safer at the rate for which it was designed.
- ▶ **Do not use the power tool if the switch does not turn it on and off.** Any power tool that cannot be controlled with the switch is dangerous and must be repaired.
- ▶ **Disconnect the plug from the power source and/or remove the battery pack, if detachable, from the power tool before making any adjustments, changing accessories, or storing power tools.** Such preventive safety measures reduce the risk of starting the power tool accidentally.
- ▶ **Store idle power tools out of the reach of children and do not allow persons unfamiliar with the power tool or these instructions to operate the power tool.** Power tools are dangerous in the hands of untrained users.
- ▶ **Maintain power tools and accessories. Check for misalignment or binding of moving parts, breakage of parts and any other condition that may affect the power tool's operation. If damaged, have the power tool repaired before use.** Many accidents are caused by poorly maintained power tools.

- ▶ **Keep cutting tools sharp and clean.** Properly maintained cutting tools with sharp cutting edges are less likely to bind and are easier to control.
- ▶ **Use the power tool, accessories and tool bits etc. in accordance with these instructions, taking into account the working conditions and the work to be performed.** Use of the power tool for operations different from those intended could result in a hazardous situation.
- ▶ **Keep handles and grasping surfaces dry, clean and free from oil and grease.** Slippery handles and grasping surfaces do not allow for safe handling and control of the tool in unexpected situations.

#### Battery tool use and care

- ▶ **Recharge only with the charger specified by the manufacturer.** A charger that is suitable for one type of battery pack may create a risk of fire when used with another battery pack.
- ▶ **Use power tools only with specifically designated battery packs.** Use of any other battery packs may create a risk of injury and fire.
- ▶ **When battery pack is not in use, keep it away from other metal objects, like paper clips, coins, keys, nails, screws or other small metal objects, that can make a connection from one terminal to another.** Shorting the battery terminals together may cause burns or a fire.
- ▶ **Under abusive conditions, liquid may be ejected from the battery; avoid contact. If contact accidentally occurs, flush with water. If liquid contacts eyes, additionally seek medical help.** Liquid ejected from the battery may cause irritation or burns.
- ▶ **Do not use a battery pack or tool that is damaged or modified.** Damaged or modified batteries may exhibit unpredictable behaviour resulting in fire, explosion or risk of injury.
- ▶ **Do not expose a battery pack or tool to fire or excessive temperature.** Exposure to fire or temperature above 130 °C may cause explosion.
- ▶ **Follow all charging instructions and do not charge the battery pack or tool outside the temperature range specified in the instructions.** Charging improperly or at temperatures outside the specified range may damage the battery and increase the risk of fire.

#### Service

- ▶ **Have your power tool serviced by a qualified repair person using only identical replacement parts.** This will ensure that the safety of the power tool is maintained.
- ▶ **Never service damaged battery packs.** Service of battery packs should only be performed by the manufacturer or authorized service providers.

### Safety information for drills and screwdrivers

#### Safety instructions for all operations

- ▶ **Wear ear protectors when impact drilling.** Exposure to noise can cause hearing loss.

- ▶ **Hold the power tool by insulated gripping surfaces, when performing an operation where the cutting accessory or fasteners may contact hidden wiring.** Cutting accessory or fasteners contacting a "live" wire may make exposed metal parts of the power tool "live" and could give the operator an electric shock.

#### Safety instructions when using long drill bits

- ▶ **Never operate at higher speed than the maximum speed rating of the drill bit.** At higher speeds, the bit is likely to bend if allowed to rotate freely without contacting the workpiece, resulting in personal injury.
- ▶ **Always start drilling at low speed and with the bit tip in contact with the workpiece.** At higher speeds, the bit is likely to bend if allowed to rotate freely without contacting the workpiece, resulting in personal injury.
- ▶ **Apply pressure only in direct line with the bit and do not apply excessive pressure.** Bits can bend causing breakage or loss of control, resulting in personal injury.

#### Additional safety warnings

- ▶ **Hold the power tool securely.** When tightening and loosening screws be prepared for temporarily high torque reactions.
- ▶ **Secure the workpiece.** A workpiece clamped with clamping devices or in a vice is held more secure than by hand.
- ▶ **Use suitable detectors to determine if there are hidden supply lines or contact the local utility company for assistance.** Contact with electric cables can cause fire and electric shock. Damaging gas lines can lead to explosion. Breaking water pipes causes property damage.
- ▶ **Always wait until the power tool has come to a complete stop before placing it down.** The application tool can jam and cause you to lose control of the power tool.
- ▶ **In case of damage and improper use of the battery, vapours may be emitted. The battery can set alight or explode.** Ensure the area is well ventilated and seek medical attention should you experience any adverse effects. The vapours may irritate the respiratory system.
- ▶ **Do not modify or open the battery.** There is a risk of short-circuiting.
- ▶ **The battery can be damaged by pointed objects such as nails or screwdrivers or by force applied externally.** An internal short circuit may occur, causing the battery to burn, smoke, explode or overheat.
- ▶ **Only use the battery in the manufacturer's products.** This is the only way in which you can protect the battery against dangerous overload.



**Protect the battery against heat, e.g. against continuous intense sunlight, fire, dirt, water and moisture.** There is a risk of explosion and short-circuiting.



- ▶ **Switch the power tool off immediately if the application tool becomes blocked. Be prepared for high torque reactions which cause kickback.** The application tool becomes blocked when it becomes jammed in

the workpiece or when the power tool becomes overloaded.

## Product Description and Specifications



### Read all the safety and general instructions.

Failure to observe the safety and general instructions may result in electric shock, fire and/or serious injury.

Please observe the illustrations at the beginning of this operating manual.

### Intended use

The power tool is intended for driving and loosening screws and for drilling in wood, metal, ceramic and plastic. The GSB is also designed for impact drilling in brick, masonry and stone.

## Product Features

The numbering of the product features refers to the diagram of the power tool on the graphics page.

- (1) Tool holder
- (2) Keyless chuck
- (3) Torque presetting ring
- (4) Operating mode presetting ring (**GSB 18V-50**)
- (5) Gear selector switch
- (6) Belt clip
- (7) Rechargeable battery<sup>a)</sup>
- (8) Battery release button<sup>a)</sup>
- (9) Worklight (LED)
- (10) Rotational direction switch
- (11) On/off switch
- (12) Bit holder<sup>a)</sup>
- (13) Handle (insulated gripping surface)

a) **This accessory is not part of the standard scope of delivery.**

## Technical data

Cordless Drill/Driver		GSR 18V-50	GSB 18V-50
Article number		<b>3 601 JH5 0..</b>	<b>3 601 JH5 1..</b>
Rated voltage	V=	18	18
No-load speed <sup>A)</sup>			
– First gear	min <sup>-1</sup>	0–460	0–460
– Second gear	min <sup>-1</sup>	0–1800	0–1800
Impact rate <sup>A)</sup>	min <sup>-1</sup>	–	0–27000
Max. torque for hard/soft screwdriving applications <sup>A)</sup>	Nm	50/28	50/28
Max. drilling diameter (1st/2nd gear)			
– Wood	mm	35	35
– Steel	mm	13	13
– Masonry	mm	–	13
Chuck capacity	mm	1.5–13	1.5–13
Max. screw diameter	mm	10	10
Weight <sup>B)</sup>	kg	1.4–2.4	1.4–2.5
Recommended ambient temperature during charging	°C	0 to +35	0 to +35
Permitted ambient temperature during operation and during storage	°C	–20 to +50	–20 to +50
Recommended rechargeable batteries		GBA 18V... ProCORE18V...	GBA 18V... ProCORE18V...
Recommended battery chargers		GAL 18... GAX 18... GAL 36...	GAL 18... GAX 18... GAL 36...

A) Measured at 20–25 °C with rechargeable battery **GBA 18V 5.0Ah**

B) Depending on battery in use

Values can vary depending on the product, scope of application and environmental conditions. To find out more, visit [www.bosch-professional.com/wac](http://www.bosch-professional.com/wac).



## Noise/Vibration Information

		GSR 18V-50	GSB 18V-50
Noise emission values determined according to <b>EN 62841-2-1</b> .			
Typically, the A-weighted noise level of the power tool is			
Sound pressure level	dB(A)	<b>76</b>	<b>91</b>
Sound power level	dB(A)	<b>84</b>	<b>99</b>
Uncertainty K	dB	<b>5</b>	<b>5</b>
<b>Wear hearing protection</b>			
Vibration total values $a_h$ (tri-ax vector sum) and uncertainty K determined according to <b>EN 62841-2-1</b> .			
Drilling in metal:			
$a_h$	$m/s^2$	<b>2.1</b>	<b>1.4</b>
K	$m/s^2$	<b>1.5</b>	<b>1.5</b>
Impact drilling into concrete:			
$a_h$	$m/s^2$	–	<b>11.2</b>
K	$m/s^2$	–	<b>1.5</b>

The vibration level and noise emission value given in these instructions have been measured in accordance with a standardised measuring procedure and may be used to compare power tools. They may also be used for a preliminary estimation of vibration and noise emissions.

The stated vibration level and noise emission value represent the main applications of the power tool. However, if the power tool is used for other applications, with different accessories or is poorly maintained, the vibration level and noise emission value may differ. This may significantly increase the vibration and noise emissions over the total working period.

To estimate vibration and noise emissions accurately, the times when the tool is switched off or when it is running but not actually being used should also be taken into account. This may significantly reduce vibration and noise emissions over the total working period.

Implement additional safety measures to protect the operator from the effects of vibration, such as servicing the power tool and accessories, keeping their hands warm, and organising workflows correctly.

## Rechargeable battery

**Bosch** sells some cordless power tools without a rechargeable battery. You can tell whether a rechargeable battery is included with the power tool by looking at the packaging.

### Charging the battery

- **Use only the chargers listed in the technical data.** Only these chargers are matched to the lithium-ion battery of your power tool.

**Note:** Lithium-ion rechargeable batteries are supplied partially charged according to international transport regulations. To ensure full rechargeable battery capacity, fully

charge the rechargeable battery before using your tool for the first time.

### Inserting the Battery

Push the charged battery into the battery holder until it clicks into place.

### Removing the Battery


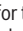
To remove the rechargeable battery, press the battery release button and pull the battery out. **Do not use force to do this.**

The rechargeable battery has two locking levels to prevent the battery from falling out if the battery release button is pressed unintentionally. The rechargeable battery is held in place by a spring when fitted in the power tool.

### Battery charge indicator

Note: Not all battery types have a battery charge indicator.

The green LEDs on the battery charge indicator indicate the state of charge of the battery. For safety reasons, it is only possible to check the state of charge when the power tool is not in operation.

Press the button for the battery charge indicator  or  to show the state of charge. This is also possible when the battery is removed.

If no LED lights up after pressing the button for the battery charge indicator, then the battery is defective and must be replaced.

### Battery model GBA 18V...



LED	Capacity
3× continuous green light	60–100 %

LED	Capacity
2 × continuous green light	30–60 %
1 × continuous green light	5–30 %
1 × flashing green light	0–5 %

#### Battery model ProCORE18V...



LED	Capacity
5 × continuous green light	80–100 %
4 × continuous green light	60–80 %
3 × continuous green light	40–60 %
2 × continuous green light	20–40 %
1 × continuous green light	5–20 %
1 × flashing green light	0–5 %

#### Recommendations for Optimal Handling of the Battery

Protect the battery against moisture and water.

Only store the battery within a temperature range of –20 to 50 °C. Do not leave the battery in your car in the summer, for example.

Occasionally clean the ventilation slots on the battery using a soft brush that is clean and dry.

A significantly reduced operating time after charging indicates that the battery has deteriorated and must be replaced. Follow the instructions on correct disposal.

#### Assembly

- ▶ **Before carrying out any work on the power tool (e.g. maintenance, tool change etc.), remove the battery from the power tool.** There is risk of injury from unintentionally pressing the on/off switch.

#### Changing the tool (see figure A)

- ▶ **Before carrying out any work on the power tool (e.g. maintenance, tool change etc.), remove the battery from the power tool.** There is risk of injury from unintentionally pressing the on/off switch.

The drill spindle is locked when the on/off switch (11) is not pressed. This makes it possible to change the application tool in the drill chuck quickly, conveniently and easily.

Open the keyless chuck (2) by turning it in the direction of rotation ① until the tool can be inserted. Insert the tool.

Firmly tighten the keyless chuck (2) by turning it by hand in the direction of rotation ②. This will automatically lock the drill chuck.

#### Dust/Chip Extraction

Dust from materials such as lead-containing coatings, some wood types, minerals and metal can be harmful to one's

health. Touching or breathing-in the dust can cause allergic reactions and/or lead to respiratory infections of the user or bystanders.

Certain dust, such as oak or beech dust, is considered carcinogenic, especially in connection with wood-treatment additives (chromate, wood preservative). Materials containing asbestos may only be worked by specialists.

- Provide for good ventilation of the working place.
- It is recommended to wear a P2 filter-class respirator.

Observe the relevant regulations in your country for the materials to be worked.

- ▶ **Avoid dust accumulation at the workplace.** Dust can easily ignite.

## Operation

### Starting Operation

#### Setting the rotational direction (see figure B)

The rotational direction switch (10) is used to change the rotational direction of the power tool. However, this is not possible while the on/off switch (11) is being pressed.

**Right rotation:** To drill and to drive in screws, press the rotational direction switch (10) through to the left stop.

**Left Rotation:** To loosen and unscrew screws and nuts, press the rotational direction switch (10) through to the right stop.

#### Setting the operating mode

##### Drilling



#### GSR 18V-50

Set the torque presetting ring (3) to the "drilling" symbol.

#### GSB 18V-50

Set the operating mode presetting ring (4) to the "drilling" symbol.

##### Screwdriving



#### GSR 18V-50

Set the torque presetting ring (3) to the required torque.

#### GSB 18V-50

Set the operating mode presetting ring (4) to the "screwdriving" symbol.  
Set the torque presetting ring (3) to the required torque.

##### Impact drilling



#### GSR 18V-50

Set the operating mode presetting ring (4) to the "impact drilling" symbol.

#### Switching on/off

To **start** the power tool, press and hold the on/off switch (11).

The LED (9) lights up when the on/off switch (11) is lightly or fully pressed, meaning that the work area is illuminated in poor lighting conditions.

To **switch off** the power tool, release the on/off switch (11).

### Adjusting the speed

You can adjust the speed of the power tool when it is on by pressing in the on/off switch (11) to varying extents.

A light pressure on the on/off switch (11) results in a low rotational speed. Increased pressure on the switch causes an increase in speed.

### Preselecting torque (applies to screwdriving mode)

The torque presetting ring (3) can be used to pre-select the required torque in 20 stages. Once the set torque has been reached, the tool will stop delivering power to the application.

### Mechanical gear selection

- ▶ **Only operate the gear selector (5) when the power tool is not in use.**

#### First gear:

Low speed range; for working with a large drilling diameter or for screwdriving.

#### Second gear:

High speed range; for working with a small drilling diameter.

- ▶ **Always push the gear selector switch as far as it will go.** Otherwise, the power tool may become damaged.

### Fully automatic spindle lock (Auto-Lock)

The drill spindle, and therefore the tool holder (1), are locked when the on/off switch (11) is not pressed.

This enables screws to be screwed in even when the battery (7) is empty and allows the power tool to be used as a screwdriver.

### Practical advice

- ▶ **Only apply the power tool to the screw when the tool is switched off.** Rotating application tools can slip off.

Before screwing larger, longer screws into hard materials, it is advisable to pre-drill a pilot hole with the core diameter of the thread to approx. 2/3 of the screw length.

An auxiliary tool can be used to remove the screwdriver bit or universal bit holder.

### Belt clip

You can use the belt clip (6) to hang the power tool on a belt, for example. You then have both hands free and the power tool is always at hand.

## Maintenance and Service

### Maintenance and Cleaning

- ▶ **Before carrying out any work on the power tool (e.g. maintenance, tool change etc.), remove the battery from the power tool.** There is risk of injury from unintentionally pressing the on/off switch.

- ▶ **To ensure safe and efficient operation, always keep the power tool and the ventilation slots clean.**

### After-Sales Service and Application Service

Our after-sales service responds to your questions concerning maintenance and repair of your product as well as spare parts. You can find explosion drawings and information on spare parts at: [www.bosch-pt.com](http://www.bosch-pt.com)

The Bosch product use advice team will be happy to help you with any questions about our products and their accessories.

In all correspondence and spare parts orders, please always include the 10-digit article number given on the nameplate of the product.

#### Malaysia

Robert Bosch Sdn. Bhd. (220975-V) PT/SMY  
No. 8A, Jalan 13/6  
46200 Petaling Jaya  
Selangor  
Tel.: (03) 79663194  
Toll-Free: 1800 880188  
Fax: (03) 79583838  
E-Mail: [kiathoe.chong@my.bosch.com](mailto:kiathoe.chong@my.bosch.com)  
[www.bosch-pt.com.my](http://www.bosch-pt.com.my)

#### You can find further service addresses at:

[www.bosch-pt.com/serviceaddresses](http://www.bosch-pt.com/serviceaddresses)

### Transport

The recommended lithium-ion batteries are subject to legislation on the transport of dangerous goods. The user can transport the batteries by road without further requirements.

When the batteries are shipped by third parties (e.g. air transport or forwarding agency), special requirements on packaging and labelling (e.g. ADR regulations) must be met. A dangerous goods expert must be consulted when preparing the items for shipping.

Dispatch battery packs only when the housing is undamaged. Tape or mask off open contacts and pack up the battery in such a manner that it cannot move around in the packaging. Please also observe the possibility of more detailed national regulations.

### Disposal



Power tools, rechargeable batteries, accessories and packaging should be sorted for environmental-friendly recycling.



Do not dispose of power tools and batteries/rechargeable batteries into household waste!

### Battery packs/batteries:

#### Li-ion:

Please observe the notes in the section on transport (see "Transport", page 11).

## Français

### Consignes de sécurité

#### Avertissements de sécurité généraux pour l'outil électrique

##### **⚠ AVERTISSEMENT** Lire tous les avertissements de sécurité, les instructions, les illustrations et les spécifications fournies avec cet outil électrique.

Ne pas suivre les instructions énumérées ci-dessous peut provoquer un choc électrique, un incendie et/ou une blessure sérieuse.

##### **Conservé tous les avertissements et toutes les instructions pour pouvoir s'y reporter ultérieurement.**

Le terme "outil électrique" dans les avertissements fait référence à votre outil électrique alimenté par le secteur (avec cordon d'alimentation) ou votre outil électrique fonctionnant sur batterie (sans cordon d'alimentation).

#### Sécurité de la zone de travail

- ▶ **Conservé la zone de travail propre et bien éclairée.**  
Les zones en désordre ou sombres sont propices aux accidents.
- ▶ **Ne pas faire fonctionner les outils électriques en atmosphère explosive, par exemple en présence de liquides inflammables, de gaz ou de poussières.** Les outils électriques produisent des étincelles qui peuvent enflammer les poussières ou les fumées.
- ▶ **Maintenir les enfants et les personnes présentes à l'écart pendant l'utilisation de l'outil électrique.** Les distractions peuvent vous faire perdre le contrôle de l'outil.

#### Sécurité électrique

- ▶ **Il faut que les fiches de l'outil électrique soient adaptées au socle. Ne jamais modifier la fiche de quelque façon que ce soit. Ne pas utiliser d'adaptateurs avec des outils électriques à branchement de terre.** Des fiches non modifiées et des socles adaptés réduisent le risque de choc électrique.
- ▶ **Éviter tout contact du corps avec des surfaces reliées à la terre telles que les tuyaux, les radiateurs, les cuisinières et les réfrigérateurs.** Il existe un risque accru de choc électrique si votre corps est relié à la terre.
- ▶ **Ne pas exposer les outils électriques à la pluie ou à des conditions humides.** La pénétration d'eau à l'intérieur d'un outil électrique augmente le risque de choc électrique.
- ▶ **Ne pas maltraiter le cordon. Ne jamais utiliser le cordon pour porter, tirer ou débrancher l'outil électrique. Maintenir le cordon à l'écart de la chaleur, du lubrifiant, des arêtes vives ou des parties en mouvement.** Des cordons endommagés ou emmêlés augmentent le risque de choc électrique.
- ▶ **Lorsqu'on utilise un outil électrique à l'extérieur, utiliser un prolongateur adapté à l'utilisation extérieure.**

L'utilisation d'un cordon adapté à l'utilisation extérieure réduit le risque de choc électrique.

- ▶ **Si l'usage d'un outil électrique dans un emplacement humide est inévitable, utiliser une alimentation protégée par un dispositif à courant différentiel résiduel (RCD).** L'usage d'un RCD réduit le risque de choc électrique.

#### Sécurité des personnes

- ▶ **Rester vigilant, regarder ce que vous êtes en train de faire et faire preuve de bon sens dans votre utilisation de l'outil électrique. Ne pas utiliser un outil électrique lorsque vous êtes fatigué ou sous l'emprise de drogues, de l'alcool ou de médicaments.** Un moment d'inattention en cours d'utilisation d'un outil électrique peut entraîner des blessures graves.
- ▶ **Utiliser un équipement de protection individuelle. Toujours porter une protection pour les yeux.** Les équipements de protection individuelle tels que les masques contre les poussières, les chaussures de sécurité antidérapantes, les casques ou les protections auditives utilisés pour les conditions appropriées réduisent les blessures.
- ▶ **Éviter tout démarrage intempestif. S'assurer que l'interrupteur est en position arrêté avant de brancher l'outil au secteur et/ou au bloc de batteries, de le ramasser ou de le porter.** Porter les outils électriques en ayant le doigt sur l'interrupteur ou brancher des outils électriques dont l'interrupteur est en position marche est source d'accidents.
- ▶ **Retirer toute clé de réglage avant de mettre l'outil électrique en marche.** Une clé laissée fixée sur une partie tournante de l'outil électrique peut donner lieu à des blessures.
- ▶ **Ne pas se précipiter. Garder une position et un équilibre adaptés à tout moment.** Cela permet un meilleur contrôle de l'outil électrique dans des situations inattendues.
- ▶ **S'habiller de manière adaptée. Ne pas porter de vêtements amples ou de bijoux. Garder les cheveux et les vêtements à distance des parties en mouvement.** Des vêtements amples, des bijoux ou les cheveux longs peuvent être pris dans des parties en mouvement.
- ▶ **Si des dispositifs sont fournis pour le raccordement d'équipements pour l'extraction et la récupération des poussières, s'assurer qu'ils sont connectés et correctement utilisés.** Utiliser des collecteurs de poussière peut réduire les risques dus aux poussières.
- ▶ **Rester vigilant et ne pas négliger les principes de sécurité de l'outil sous prétexte que vous avez l'habitude de l'utiliser.** Une fraction de seconde d'inattention peut provoquer une blessure grave.

#### Utilisation et entretien de l'outil électrique

- ▶ **Ne pas forcer l'outil électrique. Utiliser l'outil électrique adapté à votre application.** L'outil électrique adapté réalise mieux le travail et de manière plus sûre au régime pour lequel il a été construit.

- ▶ **Ne pas utiliser l'outil électrique si l'interrupteur ne permet pas de passer de l'état de marche à arrêt et inversement.** Tout outil électrique qui ne peut pas être commandé par l'interrupteur est dangereux et il faut le réparer.
- ▶ **Débrancher la fiche de la source d'alimentation et/ou enlever le bloc de batteries, s'il est amovible, avant tout réglage, changement d'accessoires ou avant de ranger l'outil électrique.** De telles mesures de sécurité préventives réduisent le risque de démarrage accidentel de l'outil électrique.
- ▶ **Conserver les outils électriques à l'arrêt hors de la portée des enfants et ne pas permettre à des personnes ne connaissant pas l'outil électrique ou les présentes instructions de le faire fonctionner.** Les outils électriques sont dangereux entre les mains d'utilisateurs novices.
- ▶ **Observer la maintenance des outils électriques et des accessoires. Vérifier qu'il n'y a pas de mauvais alignement ou de blocage des parties mobiles, des pièces cassées ou toute autre condition pouvant affecter le fonctionnement de l'outil électrique. En cas de dommages, faire réparer l'outil électrique avant de l'utiliser.** De nombreux accidents sont dus à des outils électriques mal entretenus.
- ▶ **Garder affûtés et propres les outils permettant de couper.** Des outils destinés à couper correctement entretenus avec des pièces coupantes tranchantes sont moins susceptibles de bloquer et sont plus faciles à contrôler.
- ▶ **Utiliser l'outil électrique, les accessoires et les lames etc., conformément à ces instructions, en tenant compte des conditions de travail et du travail à réaliser.** L'utilisation de l'outil électrique pour des opérations différentes de celles prévues peut donner lieu à des situations dangereuses.
- ▶ **Il faut que les poignées et les surfaces de préhension restent sèches, propres et dépourvues d'huiles et de graisses.** Des poignées et des surfaces de préhension glissantes rendent impossibles la manipulation et le contrôle en toute sécurité de l'outil dans les situations inattendues.

#### Utilisation des outils fonctionnant sur batteries et précautions d'emploi

- ▶ **Ne recharger qu'avec le chargeur spécifié par le fabricant.** Un chargeur qui est adapté à un type de bloc de batteries peut créer un risque de feu lorsqu'il est utilisé avec un autre type de bloc de batteries.
- ▶ **N'utiliser les outils électriques qu'avec des blocs de batteries spécifiquement désignés.** L'utilisation de tout autre bloc de batteries peut créer un risque de blessure et de feu.
- ▶ **Lorsqu'un bloc de batteries n'est pas utilisé, le maintenir à l'écart de tout autre objet métallique, par exemple trombones, pièces de monnaie, clés, clous, vis ou autres objets de petite taille qui peuvent donner**

**lieu à une connexion d'une borne à une autre.** Le court-circuitage des bornes d'une batterie entre elles peut causer des brûlures ou un feu.

- ▶ **Dans de mauvaises conditions, du liquide peut être éjecté de la batterie; éviter tout contact. En cas de contact accidentel, nettoyer à l'eau. Si le liquide entre en contact avec les yeux, rechercher en plus une aide médicale.** Le liquide éjecté des batteries peut causer des irritations ou des brûlures.
- ▶ **Ne pas utiliser un bloc de batteries ou un outil fonctionnant sur batteries qui a été endommagé ou modifié.** Les batteries endommagées ou modifiées peuvent avoir un comportement imprévisible provoquant un feu, une explosion ou un risque de blessure.
- ▶ **Ne pas exposer un bloc de batteries ou un outil fonctionnant sur batteries au feu ou à une température excessive.** Une exposition au feu ou à une température supérieure à 130 °C peut provoquer une explosion.
- ▶ **Suivre toutes les instructions de charge et ne pas charger le bloc de batteries ou l'outil fonctionnant sur batteries hors de la plage de températures spécifiée dans les instructions.** Un chargement incorrect ou à des températures hors de la plage spécifiée de températures peut endommager la batterie et augmenter le risque de feu.

#### Maintenance et entretien

- ▶ **Faire entretenir l'outil électrique par un réparateur qualifié utilisant uniquement des pièces de rechange identiques.** Cela assure le maintien de la sécurité de l'outil électrique.
- ▶ **Ne jamais effectuer d'opération d'entretien sur des blocs de batteries endommagés.** Il convient que l'entretien des blocs de batteries ne soit effectué que par le fabricant ou les fournisseurs de service autorisés.

#### Consignes de sécurité pour perceuses et visseuses

##### Instructions de sécurité pour toutes les opérations

- ▶ **Porter des protecteurs d'oreille lors de l'utilisation de la perceuse à percussion.** Porter des protecteurs d'oreille lors de l'utilisation de la perceuse à percussion.
- ▶ **Tenir l'outil électrique par les surfaces de préhension isolées, au cours des opérations pendant lesquelles l'accessoire de coupe ou les fixations peut être en contact avec un câblage caché.** Un accessoire de coupe ou les fixations en contact avec un fil "sous tension" peut "mettre sous tension" les parties métalliques exposées de l'outil électrique et provoquer un choc électrique chez l'opérateur.

##### Instructions de sécurité pour l'utilisation de forets longs

- ▶ **Ne jamais utiliser à une vitesse supérieure à la vitesse assignée maximale du foret.** À des vitesses supérieures, le foret est susceptible de se plier s'il peut tourner librement sans être en contact avec la pièce à usiner, ce qui provoque des blessures.

- ▶ **Toujours commencer à percer à faible vitesse et en mettant l'embout du foret en contact avec la pièce à usiner.** À des vitesses supérieures, le foret est susceptible de se plier s'il peut tourner librement sans être en contact avec la pièce à usiner, ce qui provoque des blessures.
- ▶ **Appliquer une pression uniquement sur le foret et ne pas appliquer de pression excessive.** Les forets peuvent se plier, ce qui peut provoquer leur casse ou une perte de contrôle, et donc des blessures.

#### Consignes de sécurité additionnelles

- ▶ **Maintenez bien l'outil électroportatif en place.** Lors du serrage ou du desserrage des vis, des couples de réaction élevés peuvent survenir en peu de temps.
- ▶ **Bloquez la pièce à travailler.** Une pièce à travailler serrée par des dispositifs de serrage appropriés ou dans un étau est fixée de manière plus sûre que quand elle est tenue avec une main.
- ▶ **Utilisez un détecteur approprié pour vérifier s'il n'y a pas de conduites cachées ou contactez votre société de distribution d'eau locale.** Tout contact avec des câbles électriques peut provoquer un incendie ou un choc électrique. Tout endommagement d'une conduite de gaz peut provoquer une explosion. La perforation d'une conduite d'eau provoque des dégâts matériels.
- ▶ **Avant de poser l'outil électroportatif, attendez que celui-ci soit complètement à l'arrêt.** L'outil risque de se coincer, ce qui entraînerait une perte de contrôle de l'outil électroportatif.
- ▶ **Si l'accu est endommagé ou utilisé de manière non conforme, des vapeurs peuvent s'échapper. L'accu peut brûler ou exploser.** Ventilez le local et consultez un médecin en cas de malaise. Les vapeurs peuvent entraîner des irritations des voies respiratoires.
- ▶ **N'apportez aucune modification à la batterie et ne l'ouvrez pas.** Risque de court-circuit.
- ▶ **Les objets pointus comme un clou ou un tournevis et le fait d'exercer une force extérieure sur le boîtier risque d'endommager l'accu.** Il peut en résulter un court-circuit interne et l'accu risque de s'enflammer, de dégager des fumées, d'exploser ou de surchauffer.
- ▶ **N'utilisez l'accu que sur les produits du fabricant.** Tout risque de surcharge dangereuse sera alors exclu.



**Conservez la batterie à l'abri de la chaleur, en la protégeant p. ex. de l'ensoleillement direct, du feu, de la saleté, de l'eau et de**



**l'humidité.** Il existe un risque d'explosion et de courts-circuits.

- ▶ **Arrêtez immédiatement l'outil électroportatif dès que l'accessoire se bloque. Attendez-vous à des couples de réaction importants causant des rebonds.** L'accessoire se bloque quand il reste coincé dans la pièce ou quand l'outil électroportatif est en surcharge.

## Description des prestations et du produit



**Lisez attentivement toutes les instructions et consignes de sécurité.** Le non-respect des instructions et consignes de sécurité peut provoquer un choc électrique, un incendie et/ou entraîner de graves blessures.

Référez-vous aux illustrations qui se trouvent à l'avant de la notice d'utilisation.

### Utilisation conforme

L'outil électroportatif est conçu pour le vissage et le dévissage de vis ainsi que pour le perçage dans le bois, le métal, la céramique et les matières plastiques. La GSB est également conçue pour le perçage à percussion dans la brique, la maçonnerie et la pierre naturelle.

### Éléments constitutifs

La numérotation des éléments se réfère à la représentation de l'outil électroportatif sur la page graphique.

- (1) Porte-outil
- (2) Mandrin automatique
- (3) Bague de présélection de couple
- (4) Bague de réglage pour présélection du mode de fonctionnement (GSB 18V-50)
- (5) Sélecteur de vitesse
- (6) Clip de ceinture
- (7) Accu<sup>a)</sup>
- (8) Bouton de déverrouillage d'accu<sup>a)</sup>
- (9) Éclairage de travail (LED)
- (10) Sélecteur de sens de rotation
- (11) Interrupteur Marche/Arrêt
- (12) Porte-embout<sup>a)</sup>
- (13) Poignée (surface de préhension isolée)

a) Ces accessoires ne sont pas compris dans la fourniture.

### Caractéristiques techniques

Perceuse-visseuse sans fil		GSR 18V-50	GSB 18V-50
Référence		3 601 JH5 0..	3 601 JH5 1..
Tension nominale	V=	18	18
Régime à vide <sup>A)</sup>			
– 1ère vitesse	tr/min	0–460	0–460

Perceuse-visseuse sans fil		GSR 18V-50	GSB 18V-50
– 2ème vitesse	tr/min	0–1 800	0–1 800
Fréquence de frappe <sup>A)</sup>	min <sup>-1</sup>	–	0–27 000
Couple maxi (vissage dur/tendre) <sup>A)</sup>	Nm	50/28	50/28
Ø de perçage maxi (1ère/2ème vitesse)			
– Bois	mm	35	35
– Acier	mm	13	13
– Maçonnerie	mm	–	13
Plage de serrage du mandrin	mm	1,5–13	1,5–13
Ø de vissage maxi	mm	10	10
Poids <sup>B)</sup>	kg	1,4–2,4	1,4–2,5
Températures ambiantes recommandées pour la charge	°C	0 ... +35	0 ... +35
Températures ambiantes autorisées pour l'utilisation et pour le stockage	°C	–20 ... +50	–20 ... +50
Batteries recommandées		GBA 18V... ProCORE18V...	GBA 18V... ProCORE18V...
Chargeurs recommandés		GAL 18... GAX 18... GAL 36...	GAL 18... GAX 18... GAL 36...

A) Mesuré à 20–25 °C avec accu **GBA 18V 5.0Ah**.

B) selon l'accumulateur utilisé

Les valeurs peuvent varier selon le produit, les conditions d'utilisation et les conditions ambiantes. Pour plus d'informations, rendez-vous sur [www.bosch-professional.com/wac](http://www.bosch-professional.com/wac).

## Niveau sonore et vibrations

		GSR 18V-50	GSB 18V-50
Valeurs d'émissions sonores déterminées selon la norme <b>EN 62841-2-1</b> .			
Le niveau sonore en dB(A) typique de l'outil électroportatif est de :			
Niveau de pression acoustique	dB(A)	<b>76</b>	<b>91</b>
Niveau de puissance acoustique	dB(A)	<b>84</b>	<b>99</b>
Incertitude K	dB	<b>5</b>	<b>5</b>
<b>Portez un casque antibruit !</b>			
Valeurs globales de vibration $a_h$ (somme vectorielle sur les trois axes) et incertitude K conformément à <b>EN 62841-2-1</b> .			
Perçage du métal :			
$a_h$	m/s <sup>2</sup>	<b>2,1</b>	<b>1,4</b>
K	m/s <sup>2</sup>	<b>1,5</b>	<b>1,5</b>
Perçage à percussion dans le béton :			
$a_h$	m/s <sup>2</sup>	–	<b>11,2</b>
K	m/s <sup>2</sup>	–	<b>1,5</b>

Le niveau de vibration et la valeur d'émission sonore indiqués dans cette notice d'utilisation ont été mesurés selon une procédure de mesure normalisée et peuvent être utilisés pour établir une comparaison entre différents outils électroportatifs. Ils peuvent aussi servir de base à une estimation préliminaire du taux de vibration et du niveau sonore.

Le niveau de vibration et la valeur d'émission sonore indiqués s'appliquent pour les utilisations principales de l'outil

électroportatif. Si l'outil électroportatif est utilisé pour d'autres applications, avec d'autres accessoires de travail ou sans avoir fait l'objet d'un entretien régulier, le niveau de vibration et la valeur d'émission sonore peuvent différer. Il peut en résulter des vibrations et un niveau sonore nettement plus élevés pendant toute la durée de travail.

Pour une estimation précise du niveau de vibration et du niveau sonore, il faut aussi prendre en considération les pé-



riodes pendant lesquelles l'outil est éteint ou bien en marche sans être vraiment en action. Il peut en résulter au final un niveau de vibration et un niveau sonore nettement plus faibles pendant toute la durée de travail.

Prévoyez des mesures de protection supplémentaires permettant de protéger l'utilisateur de l'effet des vibrations, par exemple : maintenance de l'outil électroportatif et des accessoires de travail, maintien des mains au chaud, organisation des procédures de travail.

## Accu

**Bosch** vend ses outils électroportatifs sans-fil aussi sans accu. Il est indiqué sur l'emballage si un accu est fourni ou non avec l'outil électroportatif.

### Recharge de l'accu

- **N'utilisez que les chargeurs indiqués dans les Caractéristiques techniques.** Seuls ces chargeurs sont adaptés à l'accu Lithium-Ion de votre outil électroportatif.

**Remarque :** Les dispositions internationales en vigueur pour le transport de marchandises obligent à livrer les accus Lithium-Ion partiellement chargés. Pour que les accus soient pleinement performants, chargez-les complètement avant leur première utilisation.

### Mise en place de l'accu

Insérez l'accu dans le compartiment à accu jusqu'à ce qu'il s'enclenche.

### Retrait de l'accu



Pour retirer l'accu, appuyez sur le bouton de déverrouillage de l'accu et sortez l'accu de l'outil électroportatif. **Ne forcez pas.**

L'accu dispose d'un double verrouillage permettant d'éviter qu'il tombe si vous appuyez par mégarde sur le bouton de déverrouillage d'accu. Tant que l'accu est en place dans l'outil électroportatif, un ressort le maintient en position.

### Indicateur de niveau de charge de l'accu

Remarque : Tous les types d'accu ne possèdent pas d'indicateur d'état de charge.

Les LED vertes de l'indicateur d'état de charge indiquent le niveau de charge de la batterie. Pour des raisons de sécurité, il n'est possible d'afficher l'état de charge que quand l'outil électroportatif est à l'arrêt.

Pour afficher le niveau de charge, appuyez sur le bouton de l'indicateur de niveau de charge  ou . L'affichage du niveau de charge est également possible après retrait de l'accu.

Si aucune LED ne s'allume après avoir appuyé sur le bouton de l'indicateur de niveau de charge, la batterie est défectueuse et doit être remplacée.

### Batterie de type GBA 18V...



LED	Capacité
Allumage permanent en vert de 3 LED	60–100 %
Allumage permanent en vert de 2 LED	30–60 %
Allumage permanent en vert de 1 LED	5–30 %
Clignotement en vert de 1 LED	0–5 %

### Batterie de type ProCORE18V...



LED	Capacité
Allumage permanent en vert de 5 LED	80–100 %
Allumage permanent en vert de 4 LED	60–80 %
Allumage permanent en vert de 3 LED	40–60 %
Allumage permanent en vert de 2 LED	20–40 %
Allumage permanent en vert de 1 LED	5–20 %
Clignotement en vert de 1 LED	0–5 %

### Indications pour une utilisation optimale de la batterie

Protégez l'accu de l'humidité et de l'eau.

Ne stockez l'accu que dans la plage de températures de –20 à 50 °C. Ne laissez par ex. pas l'accu dans une voiture en plein été.

Nettoyez de temps en temps les orifices de ventilation de l'accu à l'aide d'un pinceau doux, propre et sec.

Une baisse notable de l'autonomie de l'accu au fil des recharges effectuées indique que l'accu est arrivé en fin de vie et qu'il doit être remplacé.

Respectez les indications concernant l'élimination.

## Montage

- **Retirez systématiquement la batterie avant toute intervention sur l'outil électroportatif (maintenance, changement d'accessoire, etc.).** Il y a sinon risque de blessure si vous appuyez par mégarde sur l'interrupteur Marche/Arrêt.

### Changement d'accessoire (voir figure A)

- **Retirez systématiquement la batterie avant toute intervention sur l'outil électroportatif (maintenance, changement d'accessoire, etc.).** Il y a sinon risque de blessure si vous appuyez par mégarde sur l'interrupteur Marche/Arrêt.

Lorsque l'interrupteur Marche/Arrêt (**11**) n'est pas actionné, la broche de perçage est bloquée. Cela permet de changer facilement et rapidement l'accessoire de travail qui se trouve dans le mandrin.



Ouvrez le mandrin automatique (2) en le tournant dans le sens ① jusqu'à ce que l'accessoire puisse être inséré. Insérez l'accessoire de travail.

Tournez fermement à la main la bague du mandrin automatique (2) dans le sens ②. Le mandrin se verrouille alors automatiquement.

### Aspiration de poussières/de copeaux

Les poussières de matériaux tels que peintures contenant du plomb, certains bois, minéraux ou métaux, peuvent être nuisibles à la santé. Entrer en contact ou aspirer les poussières peut entraîner des réactions allergiques et/ou des maladies respiratoires auprès de l'utilisateur ou de personnes se trouvant à proximité.

Certaines poussières telles que les poussières de chêne ou de hêtre sont considérées comme cancérigènes, surtout en association avec des additifs pour le traitement du bois (chromate, lazure). Les matériaux contenant de l'amiante ne doivent être travaillés que par des personnes qualifiées.

- Veillez à bien aérer la zone de travail.
- Il est recommandé de porter un masque respiratoire avec un niveau de filtration de classe P2.

Respectez les règlements spécifiques aux matériaux à traiter en vigueur dans votre pays.

- **Évitez toute accumulation de poussières sur le lieu de travail.** Les poussières peuvent facilement s'enflammer.

## Mise en marche

### Mise en marche

#### Sélection du sens de rotation (voir figure B)

Le sélecteur de sens de rotation (10) permet d'inverser le sens de rotation de l'outil électroportatif. Cela n'est toutefois pas possible lorsqu'on appuie sur l'interrupteur Marche/Arrêt (11).

**Rotation droite :** Pour percer et visser, poussez le sélecteur de sens de rotation (10) à fond vers la gauche.

**Rotation gauche :** Pour desserrer ou dévisser des vis et des écrous, actionnez le sélecteur de sens de rotation (10) à fond vers la droite.

#### Sélection du mode de fonctionnement

##### Perçage



#### GSR 18V-50

Positionnez la bague de présélection de couple (3) sur le symbole « Perçage ».

#### GSB 18V-50

Positionnez la bague de présélection de mode de fonctionnement (4) sur le symbole « Perçage ».

##### Vissage



#### GSR 18V-50

Réglez le couple souhaité avec la bague de présélection de couple (3).

#### GSB 18V-50

Positionnez la bague de présélection de mode de fonctionnement (4) sur le symbole « Visage ».

Réglez le couple souhaité avec la bague de présélection de couple (3).

#### Perçage avec percussion



#### GSB 18V-50

Positionnez la bague de présélection de mode de fonctionnement (4) sur le symbole « Perçage avec percussion ».

#### Mise en marche/arrêt

Pour **mettre en marche** l'outil électroportatif, actionnez l'interrupteur Marche/Arrêt (11) et maintenez-le actionné.

La LED (9) s'allume lorsque l'interrupteur Marche/Arrêt (11) est enfoncé un peu ou complètement. Elle permet d'éclairer la zone de travail dans les endroits sombres.

Pour **arrêter** l'outil électroportatif, relâchez l'interrupteur Marche/Arrêt (11).

#### Réglage de la vitesse de rotation

Il est possible de faire varier en continu la vitesse de rotation de l'outil électroportatif en exerçant plus ou moins de pression sur l'interrupteur Marche/Arrêt (11).

Une légère pression sur l'interrupteur Marche/Arrêt (11) produit une faible vitesse de rotation. Plus l'on exerce de pression, plus la vitesse de rotation augmente.

#### Présélection du couple (pour le mode vissage)

La bague de présélection de couple (3) permet de préregler le couple dans 20 positions. Dès que le couple réglé est atteint, l'accessoire de travail s'immobilise.

#### Sélection mécanique d'une vitesse

- **N'actionnez le sélecteur de vitesse (5) que quand l'outil électroportatif est à l'arrêt.**

#### Vitesse 1 :

Plage de basses vitesses ; pour diamètres de perçage importants ou pour les vissages.

#### Vitesse 2 :

Plage de hautes vitesses ; pour les petits diamètres de perçage.

- **Poussez le sélecteur de vitesse toujours jusqu'à la butée.** L'outil électroportatif risque sinon d'être endommagé.

#### Blocage automatique de la broche (Auto-Lock)

Quand l'interrupteur Marche/Arrêt (11) n'est pas actionné, la broche de perçage et donc le porte-outil (1) sont bloqués. Cela permet de visser des vis même quand l'accu (7) est déchargé, autrement dit de se servir de l'outil électroportatif comme d'un tournevis à main.

#### Instructions d'utilisation

- **Ne positionnez l'outil électroportatif sur la vis que lorsqu'il est arrêté.** Un accessoire en rotation risque de glisser.

Avant de visser des vis de gros diamètre ou très longues dans des matériaux durs, il est recommandé d'effectuer un préperçage au diamètre intérieur de filetage sur approximativement les 2/3 de la longueur de la vis.

Pour retirer un embout de vissage ou le porte-embout universel, il est permis de s'aider d'un outil.

#### Clip de ceinture

Le clip de ceinture (6) permet d'accrocher l'outil électroportatif à une ceinture ou autre. Vous avez donc les deux mains libres et l'outil électroportatif est à tout moment à portée de main.

## Entretien et Service après-vente

### Nettoyage et entretien

- **Retirez systématiquement la batterie avant toute intervention sur l'outil électroportatif (maintenance, changement d'accessoire, etc.).** Il y a sinon risque de blessure si vous appuyez par mégarde sur l'interrupteur Marche/Arrêt.
- **Toujours tenir propres l'outil électroportatif ainsi que les fentes de ventilation afin d'obtenir un travail impeccable et sûr.**

### Service après-vente et conseil utilisateurs

Notre Service Après-Vente répond à vos questions concernant la réparation et l'entretien de votre produit et les pièces de rechange. Des vues éclatées ainsi que des informations concernant les pièces de rechange se trouvent également sous : [www.bosch-pt.com](http://www.bosch-pt.com)

L'équipe de conseil utilisateurs Bosch se tient à votre disposition pour répondre à vos questions concernant nos produits et leurs accessoires.

Pour toute demande de renseignement ou commande de pièces de rechange, nous préciser impérativement le numéro d'article à dix chiffres indiqué sur la plaque signalétique du produit.

#### Maroc

Robert Bosch Morocco SARL  
53, Rue Lieutenant Mahrhoud Mohamed  
20300 Casablanca  
Tel. : +212 5 29 31 43 27  
E-Mail : sav.outillage@ma.bosch.com

#### Vous trouverez d'autres adresses de service sous :

[www.bosch-pt.com/serviceaddresses](http://www.bosch-pt.com/serviceaddresses)

### Transport

Les batteries Lithium-ion recommandées sont soumises aux règlements de transport des matières dangereuses. L'utilisateur peut transporter les batteries par voie routière sans mesures supplémentaires.

Lors d'une expédition par tiers (par ex. : transport aérien ou entreprise de transport), les mesures à prendre spécifiques à l'emballage et au marquage doivent être observées. Dans un tel cas, lors de la préparation de l'envoi, il est impératif de

faire appel à un expert en transport des matières dangereuses.

N'expédiez les accumulateurs que si le carter n'est pas endommagé. Recouvrez les contacts à l'air libre et emballez l'accu de manière à ce qu'il ne se déplace pas dans l'emballage. Veuillez également respecter les réglementations supplémentaires éventuellement en vigueur dans votre pays.

### Élimination des déchets



Les outils électroportatifs, les accus ainsi que leurs accessoires et emballages doivent être rapportés dans un centre de recyclage respectueux de l'environnement.



Ne jetez pas les outils électroportatifs et les accus/piles avec les ordures ménagères !

#### Accus/piles :

##### Li-Ion :

Veuillez respecter les indications se trouvant dans le chapitre Transport (voir « Transport », Page 18).

#### Valable uniquement pour la France :



**FR**  
Cet appareil, ses accessoires, et batterie se recyclent

À DÉPOSER EN MAGASIN

À DÉPOSER EN DÉCHÈTERIE

OU

Points de collecte sur [www.quefairedemesdechets.fr](http://www.quefairedemesdechets.fr)

## Português

## Instruções de segurança

### Instruções gerais de segurança para ferramentas eléctricas

#### ⚠ AVISO

Devem ser lidas todas as indicações de segurança,

instruções, ilustrações e especificações desta ferramenta eléctrica. O desrespeito das instruções apresentadas abaixo poderá resultar em choque eléctrico, incêndio e/ou ferimentos graves.

#### Guarde bem todas as advertências e instruções para futura referência.

O termo "ferramenta eléctrica" utilizado a seguir nas indicações de advertência, refere-se a ferramentas eléctricas operadas com corrente de rede (com cabo de rede) e a ferramentas eléctricas operadas com acumulador (sem cabo de rede).

### Segurança da área de trabalho

- ▶ **Mantenha a sua área de trabalho sempre limpa e bem iluminada.** Desordem ou áreas de trabalho insuficientemente iluminadas podem levar a acidentes.
- ▶ **Não trabalhar com a ferramenta eléctrica em áreas com risco de explosão, nas quais se encontrem líquidos, gases ou pós inflamáveis.** Ferramentas eléctricas produzem faíscas, que podem inflamar pós ou vapores.
- ▶ **Manter crianças e outras pessoas afastadas da ferramenta eléctrica durante a utilização.** No caso de distração é possível que perca o controlo sobre o aparelho.

### Segurança eléctrica

- ▶ **A ficha de conexão da ferramenta eléctrica deve caber na tomada. A ficha não deve ser modificada de maneira alguma. Não utilizar uma ficha de adaptação junto com ferramentas eléctricas protegidas por ligação à terra.** Fichas não modificadas e tomadas apropriadas reduzem o risco de um choque eléctrico.
- ▶ **Evitar que o corpo possa entrar em contacto com superfícies ligadas à terra, como tubos, aquecimentos, fogões e frigoríficos.** Há um risco elevado devido a um choque eléctrico, se o corpo estiver ligado à terra.
- ▶ **Manter o aparelho afastado de chuva ou humidade.** A infiltração de água numa ferramenta eléctrica aumenta o risco de choque eléctrico.
- ▶ **Não deverá utilizar o cabo para outras finalidades. Nunca utilizar o cabo para transportar a ferramenta eléctrica, para pendurá-la, nem para puxar a ficha da tomada. Manter o cabo afastado do calor, do óleo, de arestas afiadas ou de peças em movimento.** Cabos danificados ou emaranhados aumentam o risco de um choque eléctrico.
- ▶ **Se trabalhar com uma ferramenta eléctrica ao ar livre, só deverá utilizar cabos de extensão apropriados para áreas exteriores.** A utilização de um cabo de extensão apropriado para áreas exteriores reduz o risco de um choque eléctrico.
- ▶ **Se não for possível evitar o funcionamento da ferramenta eléctrica em áreas húmidas, deverá ser utilizado um disjuntor de corrente de avaria.** A utilização de um disjuntor de corrente de avaria reduz o risco de um choque eléctrico.

### Segurança de pessoas

- ▶ **Esteja atento, observe o que está a fazer e tenha prudência ao trabalhar com a ferramenta eléctrica. Não utilizar uma ferramenta eléctrica quando estiver fatigado ou sob a influência de drogas, álcool ou medicamentos.** Um momento de descuido ao utilizar a ferramenta eléctrica, pode levar a lesões graves.
- ▶ **Utilizar equipamento de protecção individual. Utilizar sempre óculos de protecção.** A utilização de equipamento de protecção pessoal, como máscara de protecção contra pó, sapatos de segurança

antiderrapantes, capacete de segurança ou protecção auricular, de acordo com o tipo e aplicação da ferramenta eléctrica, reduz o risco de lesões.

- ▶ **Evitar uma colocação em funcionamento involuntária. Assegure-se de que a ferramenta eléctrica esteja desligada, antes de conectá-la à alimentação de rede e/ou ao acumulador, antes de levantá-la ou de transportá-la.** Se tiver o dedo no interruptor ao transportar a ferramenta eléctrica ou se o aparelho for conectado à alimentação de rede enquanto estiver ligado, poderão ocorrer acidentes.
- ▶ **Remover ferramentas de ajuste ou chaves de boca antes de ligar a ferramenta eléctrica.** Uma ferramenta ou chave que se encontre numa parte do aparelho em movimento pode levar a lesões.
- ▶ **Evite uma posição anormal. Mantenha uma posição firme e mantenha sempre o equilíbrio.** Desta forma é mais fácil controlar a ferramenta eléctrica em situações inesperadas.
- ▶ **Usar roupa apropriada. Não usar roupa larga nem jóias. Mantenha os cabelos e roupas afastados de peças em movimento.** Roupas frouxas, cabelos longos ou jóias podem ser agarrados por peças em movimento.
- ▶ **Se for possível montar dispositivos de aspiração ou de recolha, assegure-se de que estejam conectados e utilizados correctamente.** A utilização de uma aspiração de pó pode reduzir o perigo devido ao pó.
- ▶ **Não deixe que a familiaridade resultante de uma utilização frequente de ferramentas permita que você se torne complacente e ignore os princípios de segurança da ferramenta.** Uma acção descuidada pode causar ferimentos graves numa fracção de segundo.

### Utilização e manuseio cuidadoso de ferramentas eléctricas

- ▶ **Não sobrecarregue a ferramenta eléctrica. Utilize a ferramenta eléctrica apropriada para o seu trabalho.** É melhor e mais seguro trabalhar com a ferramenta eléctrica apropriada na área de potência indicada.
- ▶ **Não utilizar uma ferramenta eléctrica com um interruptor defeituoso.** Uma ferramenta eléctrica que não pode mais ser ligada nem desligada, é perigosa e deve ser reparada.
- ▶ **Puxar a ficha da tomada e/ou remover o acumulador, se amovível, antes de executar ajustes na ferramenta eléctrica, de substituir acessórios ou de guardar as ferramentas eléctricas.** Esta medida de segurança evita o arranque involuntário da ferramenta eléctrica.
- ▶ **Guardar ferramentas eléctricas não utilizadas fora do alcance de crianças e não permitir que as pessoas que não estejam familiarizadas com o aparelho ou que não tenham lido estas instruções utilizem o aparelho.** Ferramentas eléctricas são perigosas se forem utilizadas por pessoas inexperientes.
- ▶ **Tratar a ferramenta eléctrica e os acessórios com cuidado. Controlar se as partes móveis do aparelho funcionam perfeitamente e não emperram, e se há**

**peças quebradas ou danificadas que possam prejudicar o funcionamento da ferramenta eléctrica. Permitir que peças danificadas sejam reparadas antes da utilização.** Muitos acidentes têm como causa, a manutenção insuficiente de ferramentas eléctricas.

- ▶ **Mantém as ferramentas de corte afiadas e limpas.** Ferramentas de corte cuidadosamente tratadas e com cantos de corte afiados emperram com menos frequência e podem ser conduzidas com maior facilidade.
- ▶ **Utilizar a ferramenta eléctrica, acessórios, ferramentas de aplicação, etc. conforme estas instruções. Considerar as condições de trabalho e a tarefa a ser executada.** A utilização de ferramentas eléctricas para outras tarefas a não ser as aplicações previstas, pode levar a situações perigosas.
- ▶ **Mantenha os punhos e as superfícies de agarrar secas, limpas e livres de óleo e massa consistente.** Punhos e superfícies de agarrar escorregadias não permitem o manuseio e controle seguros da ferramenta em situações inesperadas.

#### **Manuseio e utilização cuidadosos de ferramentas com acumuladores**

- ▶ **Só carregar acumuladores em carregadores recomendados pelo fabricante.** Há perigo de incêndio se um carregador apropriado para um certo tipo de acumuladores for utilizado para carregar acumuladores de outros tipos.
- ▶ **Só utilizar ferramentas eléctricas com os acumuladores apropriados.** A utilização de outros acumuladores pode levar a lesões e perigo de incêndio.
- ▶ **Mantém o acumulador que não está sendo utilizado afastado de cliques, moedas, chaves, parafusos ou outros pequenos objectos metálicos que possam causar um curto-circuito dos contactos.** Um curto-circuito entre os contactos do acumulador pode ter como consequência queimaduras ou fogo.
- ▶ **No caso de aplicação incorrecta pode vaziar líquido do acumulador. Evitar o contacto. No caso de um contacto acidental, deverá enxaguar com água. Se o líquido entrar em contacto com os olhos, também deverá consultar um médico.** Líquido que escapa do acumulador pode levar a irritações da pele ou a queimaduras.
- ▶ **Não use um acumulador ou uma ferramenta danificada ou modificada.** Os acumuladores danificados ou modificados exibem um comportamento imprevisível podendo causar incêndio, explosão ou risco de lesão.
- ▶ **Não exponha o acumulador ou a ferramenta ao fogo ou temperatura excessiva.** A exposição ao fogo ou a temperaturas acima de 130 °C pode causar explosão.
- ▶ **Siga todas as instruções de carregamento e não carregue o acumulador ou a ferramenta fora da faixa de temperatura especificada no manual de instruções.** Carregar indevidamente ou em temperaturas fora da faixa especificada pode danificar o acumulador e aumentar o risco de incêndio.

#### **Serviço**

- ▶ **Só permita que o seu aparelho seja reparado por pessoal especializado e qualificado e só com peças de reposição originais.** Desta forma é assegurado o funcionamento seguro do aparelho.
- ▶ **Nunca tente reparar acumuladores danificados.** A reparação de acumuladores deve ser realizada apenas pelo fabricante ou agentes de assistência autorizados.

#### **Indicações de segurança para berbequins e aparafusadoras**

##### **Instruções de segurança para todas as operações**

- ▶ **Use protetores auditivos ao perfurar com impacto.** A exposição ao ruído pode provocar a perda da audição.
- ▶ **Segure a ferramenta eléctrica nas superfícies de agarrar isoladas, ao executar uma operação onde o acessório de corte ou elemento de fixação possam entrar em contacto com cabos escondidos.** Se o acessório de corte ou os elementos de fixação entrarem em contacto com um cabo "sob tensão", as partes metálicas expostas da ferramenta elétrica ficam "sob tensão" e podem produzir um choque eléctrico.

##### **Instruções de segurança ao usar brocas longas**

- ▶ **Nunca opere a uma velocidade maior do que a velocidade máxima da broca.** A velocidades mais altas, a broca pode dobrar-se ao rodar livremente sem entrar em contacto com a peça de trabalho, causando ferimento pessoal.
- ▶ **Comece sempre a perfurar a baixa velocidade e com a ponta da broca em contato com a peça de trabalho.** A velocidades mais altas, a broca pode dobrar-se ao rodar livremente sem entrar em contacto com a peça de trabalho, causando ferimento pessoal.
- ▶ **Aplique pressão apenas em linha direta com a broca e não aplique pressão excessiva.** As brocas podem dobrar-se, causando rutura ou perda de controlo, ou mesmo ferimento pessoal.

##### **Instruções de segurança adicionais**

- ▶ **Segure bem a ferramenta eléctrica.** Ao apertar e soltar parafusos podem ocorrer temporariamente elevados momentos de reação.
- ▶ **Fixar a peça a ser trabalhada.** Uma peça a ser trabalhada fixa com dispositivos de aperto ou com torno de bancada está mais firme do que segurada com a mão.
- ▶ **Utilizar detetores apropriados, para encontrar cabos escondidos, ou consulte a companhia eléctrica local.** O contacto com cabos eléctricos pode provocar fogo e choques eléctricos. Danos em tubos de gás podem levar à explosão. A infiltração num cano de água provoca danos materiais.
- ▶ **Espere que a ferramenta eléctrica pare completamente, antes de depositá-la.** A ferramenta de aplicação pode emperrar e levar à perda de controlo sobre a ferramenta eléctrica.

- ▶ **Em caso de danos e de utilização incorreta da bateria, podem escapar vapores. A bateria pode incendiar-se ou explodir.** Areje o espaço e procure assistência médica no caso de apresentar queixas. É possível que os vapores irrite as vias respiratórias.
- ▶ **Não altere nem abra o acumulador.** Há perigo de haver um curto-circuito.
- ▶ **Os objetos afiados como, p. ex., pregos ou chaves de fendas, assim como o efeito de forças externas podem danificar o acumulador.** Podem causar um curto-circuito interno e o acumulador pode ficar queimado, deitar fumo, explodir ou sobreaquecer.
- ▶ **Utilize a bateria apenas em produtos do fabricante.** Só assim é que a bateria é protegida contra sobrecarga perigosa.



**Proteger a bateria contra calor, p. ex. também contra uma permanente radiação solar, fogo, sujidade, água e humidade.** Há risco de explosão ou de um curto-circuito.



- ▶ **Desligue a ferramenta de imediato se a ferramenta de trabalho encravar. Esteja atento aos binários de reação que podem dar origem a contragolpes.** O acessório acoplável fica encravado se a ferramenta elétrica for sobrecarregada ou se ficar emperrada na peça a ser trabalhada.

## Descrição do produto e do serviço



**Leia todas as instruções de segurança e instruções.** A inobservância das instruções de segurança e das instruções pode causar

choque elétrico, incêndio e/ou ferimentos graves. Respeite as figuras na parte da frente do manual de instruções.

### Utilização adequada

A ferramenta elétrica destina-se a apertar e desapertar parafusos e a furar madeira, metal, cerâmica e plástico. O GSB destina-se adicionalmente a furar com percussão em tijolo, alvenaria e pedra.

### Componentes ilustrados

A numeração dos componentes ilustrados refere-se à apresentação da ferramenta elétrica na página de esquemas.

- (1) Fixação da ferramenta
- (2) Bucha de aperto rápido
- (3) Anel de ajuste da pré-seleção do binário
- (4) Anel de ajuste para a pré-seleção do modo de funcionamento (**GSB 18V-50**)
- (5) Seletor de velocidade
- (6) Suporte de fixação ao cinto
- (7) Bateria<sup>a)</sup>
- (8) Tecla de desbloqueio da bateria<sup>a)</sup>
- (9) Luz de trabalho (LED)
- (10) Comutador do sentido de rotação
- (11) Interruptor de ligar/desligar
- (12) Porta-bits<sup>a)</sup>
- (13) Punho (superfície do punho isolada)

a) **Este acessório não pertence ao volume de fornecimento.**

### Dados técnicos

Berbequim/aparafusador sem fio		GSR 18V-50	GSB 18V-50
Número de produto		<b>3 601 JH5 0..</b>	<b>3 601 JH5 1..</b>
Tensão nominal	V=	18	18
Número de rotações em vazio <sup>A)</sup>			
– 1. <sup>a</sup> velocidade	r.p.m.	0–460	0–460
– 2. <sup>a</sup> velocidade	r.p.m.	0–1800	0–1800
N.º de impactos <sup>A)</sup>	i.p.m.	–	0–27000
Máx. binário de aparafusamento duro/macio <sup>A)</sup>	Nm	50/28	50/28
Ø máx. de perfuração (1. <sup>a</sup> /2. <sup>a</sup> velocidade)			
– Madeira	mm	35	35
– Aço	mm	13	13
– Alvenaria	mm	–	13
Faixa de aperto da bucha	mm	1,5–13	1,5–13
Ø máximo do parafuso	mm	10	10
Peso <sup>B)</sup>	kg	1,4–2,4	1,4–2,5
Temperatura ambiente recomendada durante o carregamento	°C	0 ... +35	0 ... +35

Berbequim/aparafusador sem fio		GSR 18V-50	GSB 18V-50
Temperatura ambiente admissível em funcionamento e durante o armazenamento	°C	-20 ... +50	-20 ... +50
Baterias recomendadas		GBA 18V... ProCORE18V...	GBA 18V... ProCORE18V...
Carregadores recomendados		GAL 18... GAX 18... GAL 36...	GAL 18... GAX 18... GAL 36...

A) Medido a 20–25 °C com bateria **GBA 18V 5.0Ah**.

B) dependendo da bateria utilizada

Os valores podem variar em função do produto e estar sujeitos a condições de aplicação e do meio ambiente. Para mais informações consulte [www.bosch-professional.com/wac](http://www.bosch-professional.com/wac).

## Informações sobre ruídos/vibrações

		GSR 18V-50	GSB 18V-50
--	--	------------	------------

Os valores de emissão de ruído foram determinados de acordo com **EN 62841-2-1**.

Normalmente, o nível sonoro de classe A da ferramenta elétrica compreende

Nível de pressão acústica	dB(A)	<b>76</b>	<b>91</b>
Nível da potência acústica	dB(A)	<b>84</b>	<b>99</b>
Incerteza K	dB	<b>5</b>	<b>5</b>

### Usar proteção auditiva!

Valores totais de vibração  $a_h$  (soma dos vetores das três direções) e incerteza K determinada segundo **EN 62841-2-1**.

Furar metal:

$a_h$	$m/s^2$	<b>2,1</b>	<b>1,4</b>
K	$m/s^2$	<b>1,5</b>	<b>1,5</b>

Furar com percussão em betão:

$a_h$	$m/s^2$	–	<b>11,2</b>
K	$m/s^2$	–	<b>1,5</b>

O nível de vibrações indicado nestas instruções e o valor de emissões sonoras foram medidos de acordo com um processo de medição normalizado e podem ser utilizados para a comparação de ferramentas elétricas. Também são adequados para uma avaliação provisória das emissões sonoras e de vibrações.

O nível de vibrações indicado e o valor de emissões sonoras representam as aplicações principais da ferramenta elétrica. Se a ferramenta elétrica for utilizada para outras aplicações, com outras ferramentas de trabalho ou com manutenção insuficiente, é possível que o nível de vibrações e de emissões sonoras seja diferente. Isto pode aumentar sensivelmente a emissão sonora e de vibrações para o período completo de trabalho.

Para uma estimativa exata da emissão sonora e de vibrações, também deveriam ser considerados os períodos nos quais o aparelho está desligado ou funciona, mas não está sendo utilizado. Isto pode reduzir a emissão sonora e de vibrações durante o completo período de trabalho.

Além disso também deverão ser estipuladas medidas de segurança para proteger o operador contra o efeito de vibrações, como por exemplo: manutenção de ferramentas

elétricas e acessórios, manter as mãos quentes e organização dos processos de trabalho.

## Bateria

**Bosch** vende ferramentas elétricas sem fio também sem bateria. Pode consultar na embalagem se está incluída uma bateria no volume de fornecimento da sua ferramenta elétrica.

### Carregar a bateria

► **Utilize apenas os carregadores listados nos dados técnicos.** Só estes carregadores são apropriados para os baterias de lítio utilizadas para a sua ferramenta elétrica.

**Nota:** devido a normas de transporte internacionais, as baterias de lítio são fornecidas parcialmente carregadas. Para assegurar a completa potência da bateria, a bateria deverá ser carregada completamente antes da primeira utilização.

### Colocar a bateria

Insira a bateria carregada no respetivo encaixe, até que esta esteja engatada.

## Retirar a bateria



Para retirar a bateria, pressione a respetiva tecla de desbloqueio e puxe a bateria para fora. **Não empregue força.**

A bateria possui 2 níveis de travamento, que devem evitar, que a bateria caia, caso a tecla de desbloqueio da bateria seja premida por acaso. Enquanto a bateria estiver dentro da ferramenta elétrica, ela é mantida em posição por uma mola.

## Indicador do nível de carga da bateria

Nota: Nem todos os tipos de bateria dispõem de um indicador do nível de carga de bateria.

Os LEDs verdes do indicador do nível de carga da bateria indicam o nível de carga da bateria. Por motivos de segurança, a consulta do nível de carga só é possível com a ferramenta elétrica parada.

Prima a tecla para o indicador do nível de carga da bateria  ou  para visualizar o nível de carga. Isto também é possível com a bateria removida.

Se, depois de premir a tecla para o indicador do nível de carga da bateria, não se acender qualquer LED, a bateria tem defeito e tem de ser substituída.

### Tipo de bateria GBA 18V...



LED	Capacidade
Luz permanente 3 × verde	60–100 %
Luz permanente 2 × verde	30–60 %
Luz permanente 1 × verde	5–30 %
Luz intermitente 1 × verde	0–5 %

### Tipo de bateria ProCORE18V...



LED	Capacidade
Luz permanente 5 × verde	80–100 %
Luz permanente 4 × verde	60–80 %
Luz permanente 3 × verde	40–60 %
Luz permanente 2 × verde	20–40 %
Luz permanente 1 × verde	5–20 %
Luz intermitente 1 × verde	0–5 %

## Indicações sobre o manuseio ideal da bateria

Proteger a bateria contra humidade e água.

Armazene a bateria apenas na faixa de temperatura de -20 °C a 50 °C. Por exemplo, não deixe a bateria dentro do automóvel no verão.

Limpar de vez em quando as aberturas de ventilação da bateria com um pincel macio, limpo e seco.

Um tempo de funcionamento reduzido após o carregamento indica que a bateria está gasta e que deve ser substituída.

Observe as indicações sobre a eliminação de forma ecológica.


## Montagem


► **Antes de qualquer trabalho na ferramenta elétrica (p. ex. manutenção, troca de ferramenta, etc.) retire a bateria da mesma.** Há perigo de ferimentos se o interruptor de ligar/desligar for acionado involuntariamente.

### Troca de ferramenta (ver figura A)

► **Antes de qualquer trabalho na ferramenta elétrica (p. ex. manutenção, troca de ferramenta, etc.) retire a bateria da mesma.** Há perigo de ferimentos se o interruptor de ligar/desligar for acionado involuntariamente.

Com o interruptor de ligar/desligar não pressionado (11) é fixado o veio de perfuração. Isto possibilita uma troca rápida, confortável e fácil da ferramenta de trabalho no mandril de brocas.

Abra a bucha de aperto rápido (2) rodando no sentido  até a ferramenta poder ser inserida. Introduzir a ferramenta.

Aperte bem à mão a bucha da bucha de aperto rápido (2) no sentido de rotação . A bucha fica assim automaticamente bloqueada.

## Aspiração de pó/de aparas

Pós de materiais como por exemplo, tintas que contém chumbo, alguns tipos de madeira, minerais e metais, podem ser nocivos à saúde. O contacto ou a inalação dos pós pode provocar reações alérgicas e/ou doenças nas vias respiratórias do utilizador ou das pessoas que se encontrem por perto.

Certos pós, como por exemplo pó de carvalho e faia são considerados como sendo cancerígenos, especialmente quando juntos com substâncias para o tratamento de madeiras (cromado, preservadores de madeira). Material que contém asbesto só deve ser processado por pessoal especializado.

- Assegurar uma boa ventilação do local de trabalho.
- É recomendável usar uma máscara de proteção respiratória com filtro da classe P2.

Observe as diretivas para os materiais a serem processados, vigentes no seu país.

► **Evite a acumulação de pó no local de trabalho.** Pós podem entrar levemente em ignição.

## Funcionamento

### Colocação em funcionamento

#### Ajustar o sentido de rotação (ver figura B)

Com o comutador de sentido de rotação (10) é possível alterar o sentido de rotação da ferramenta elétrica. Com o



interruptor de ligar/desligar pressionado **(11)** isto não é possível.

**Rotação à direita:** Para furar e apertar parafusos prima o comutador do sentido de rotação **(10)** completamente para a esquerda.

**Rotação à esquerda:** para soltar ou retirar os parafusos pressione o conversor do sentido de rotação **(10)** para trás até ao batente.

### Ajustar o modo de operação

#### Furar



##### GSR 18V-50

Coloque o anel de ajuste da pré-seleção do binário **(3)** no símbolo "Furar".

##### GSB 18V-50

Coloque o anel de ajuste para a pré-seleção do modo de funcionamento **(4)** no símbolo "Furar".

#### Aparafusar



##### GSR 18V-50

Coloque o anel de ajuste da pré-seleção do binário **(3)** no binário desejado.

##### GSB 18V-50

Coloque o anel de ajuste para a pré-seleção do modo de funcionamento **(4)** no símbolo "Aparafusar".

Coloque o anel de ajuste da pré-seleção do binário **(3)** no binário desejado.

#### Furar com percussão



##### GSB 18V-50

Coloque o anel de ajuste para a pré-seleção do modo de funcionamento **(4)** no símbolo "Furar com percussão".

### Ligar e desligar

Para a **colocação em funcionamento** da ferramenta elétrica deverá pressionar o interruptor de ligar/desligar **(11)** e mantenha-o pressionado.

O LED **(9)** acende-se com o interruptor para ligar/desligar **(11)** completamente ou ligeiramente premido e permite iluminar o local de trabalho em caso de condições de iluminação desfavoráveis.

Para **desligar** a ferramenta elétrica, liberte o interruptor de ligar/desligar **(11)**.

### Ajustar o número de rotações

Pode regular a velocidade da ferramenta elétrica ligada de forma contínua, consoante a pressão que faz no interruptor de ligar/desligar **(11)**.

Uma leve pressão sobre o interruptor de ligar/desligar **(11)** proporciona um número de rotações baixo. Aumentando a pressão, é aumentado o n.º de rotações.

### Pré-selecionar o binário (válido para modo de operação aparafusar)

Com o anel de ajuste da pré-seleção do binário **(3)** pode pré-selecionar o binário necessário em 20 níveis. Assim que o

binário ajustado seja alcançado, a ferramenta elétrica é parada.

### Regulação mecânica da velocidade

#### ► **Acione o seletor de velocidade (5) apenas com a ferramenta elétrica parada.**

##### 1.ª velocidade:

Baixa gama de número de rotações; para trabalhar com grandes diâmetros de perfuração ou para aparafusar.

##### 2.ª velocidade:

Alta gama de número de rotações; para trabalhar com pequeno diâmetro de perfuração.

#### ► **Sempre empurrar o seletor de velocidade até o fim.**

Caso contrário é possível que a ferramenta elétrica seja danificada.

### Bloqueio automático do veio (Auto-Lock)

Com o interruptor de ligar/desligar **(11)** não pressionado é fixado o veio de perfuração e, conseqüentemente, o encabudo **(1)**.

Isso permite enroscar parafusos mesmo com a bateria **(7)** descarregada ou rodar a ferramenta elétrica como chave de parafusos.

### Instruções de trabalho

#### ► **Só coloque a ferramenta elétrica no parafuso quando esta está desligada.** As ferramentas de trabalho em rotação podem escorregar.

Antes de atarraxar parafusos, mais longos e maiores, em materiais duros, deveria furar com o diâmetro do núcleo da rosca até aproximadamente 2/3 do comprimento do parafuso.

Para retirar a ponta de aparafusar ou porta-bits universal, não pode ser usada uma ferramenta auxiliar.

#### ► **Suporte de fixação ao cinto**

Com o suporte de fixação ao cinto **(6)** pode pendurar a ferramenta elétrica, p. ex., num cinto. Desta forma terá ambas as mãos livres e a ferramenta elétrica estará sempre ao alcance.

## Manutenção e assistência técnica

### Manutenção e limpeza

► **Antes de qualquer trabalho na ferramenta elétrica (p. ex. manutenção, troca de ferramenta, etc.) retire a bateria da mesma.** Há perigo de ferimentos se o interruptor de ligar/desligar for acionado involuntariamente.

► **Manter a ferramenta elétrica e as aberturas de ventilação sempre limpas, para trabalhar bem e de forma segura.**

### Serviço pós-venda e aconselhamento

O serviço pós-venda responde às suas perguntas a respeito de serviços de reparação e de manutenção do seu produto, assim como das peças sobressalentes. Desenhos explodidos



e informações sobre peças sobressalentes encontram-se em: [www.bosch-pt.com](http://www.bosch-pt.com)

A nossa equipa de consultores Bosch esclarece com prazer todas as suas dúvidas a respeito dos nossos produtos e acessórios.

Indique para todas as questões e encomendas de peças sobressalentes a referência de 10 dígitos de acordo com a placa de características do produto.

### Brasil

Robert Bosch Ltda. – Divisão de Ferramentas Elétricas  
Rodovia Anhanguera, Km 98 - Parque Via Norte  
13065-900, CP 1195  
Campinas, São Paulo  
Tel.: 0800 7045 446  
[www.bosch.com.br/contato](http://www.bosch.com.br/contato)

### Outros endereços de serviço encontram-se em:

[www.bosch-pt.com/serviceaddresses](http://www.bosch-pt.com/serviceaddresses)

### Transporte

As baterias de íons de lítio recomendadas estão sujeitas às leis de materiais perigosos. As baterias podem ser transportadas na rua pelo utilizador, sem mais obrigações.

No caso de envio por terceiros (por ex.: transporte aéreo ou expedição), devem ser observadas as especiais exigências quanto à embalagem e à designação. Neste caso é necessário consultar um especialista de materiais perigosos ao preparar a peça a ser trabalhada.

Baterias só devem ser transportadas se a carcaça estiver em perfeito estado. Colar contactos abertos e embalar a bateria de modo que não possa se movimentar dentro da embalagem. Respeite também outras disposições nacionais eventualmente existentes.

### Eliminação



As ferramentas elétricas, as baterias, os acessórios e as embalagens devem ser enviados a uma reciclagem ecológica de matéria prima.



Não deitar ferramentas elétricas e baterias/pilhas no lixo doméstico!

### Baterias/pilhas:

#### Lítio:

Observar as indicações no capítulo Transporte (ver "Transporte", Página 25).

## 中文

### 安全规章

#### 电动工具通用安全警告

**警告！** 阅读随电动工具提供的所有安全警告、说明、图示和规定。

不遵照以下所列说明会导致电击、着火和/或严重伤害。

**保存所有警告和说明书以备查阅。**

警告中的术语“电动工具”是指市电驱动（有线）电动工具或电池驱动（无线）电动工具。

#### 工作场地的安全

- ▶ **保持工作场地清洁和明亮。** 杂乱和黑暗的场地会引发事故。
- ▶ **不要在易爆环境，如有易燃液体、气体或粉尘的环境下操作电动工具。** 电动工具产生的火花会点燃粉尘或气体。
- ▶ **操作电动工具时，远离儿童和旁观者。** 注意力不集中会使你失去对工具的控制。

#### 电气安全

- ▶ **电动工具插头必须与插座相配。** 绝不能以任何方式改装插头。需接地的电动工具不能使用任何转换插头。未经改装的插头和相配的插座将降低电击风险。
- ▶ **避免人体接触接地表面，如管道、散热片和冰箱。** 如果你身体接触接地表面会增加电击风险。
- ▶ **不得将电动工具暴露在雨中或潮湿环境中。** 水进入电动工具将增加电击风险。
- ▶ **不得滥用软线。** 绝不能用软线搬运、拉动电动工具或拔出其插头。使软线远离热源、油、锐边或运动部件。受损或缠绕的软线会增加电击风险。
- ▶ **当在户外使用电动工具时，使用适合户外使用的延长线。** 适合户外使用的电线将降低电击风险。
- ▶ **如果无法避免在潮湿的环境中操作电动工具，应使用带有剩余电流装置（RCD）保护的电源。** RCD的使用可降低电击风险。

#### 人身安全

- ▶ **保持警觉，当操作电动工具时关注所从事的操作并保持清醒。** 当你感到疲倦，或在有药物、酒精或治疗反应时，不要操作电动工具。在操作电动工具时瞬间的疏忽会导致严重人身伤害。
- ▶ **使用个人防护装置。** 始终佩戴护目镜。防护装置，诸如适当条件下使用防尘面具、防滑安全鞋、安全帽、听力防护等装置能减少人身伤害。
- ▶ **防止意外起动。** 在连接电源和/或电池包、拿起或搬运工具前确保开关处于关断位置。手指放在开关上搬运工具或开关处于接通时通电会导致危险。
- ▶ **在电动工具接通之前，拿掉所有调节钥匙或扳手。** 遗留在电动工具旋转零件上的扳手或钥匙会导致人身伤害。

- ▶ **手不要过分伸展。时刻注意立足点和身体平衡。**这样能在意外情况下能更好地控制住电动工具。
- ▶ **着装适当。不要穿宽松衣服或佩戴饰品。让你的头发和衣服远离运动部件。**宽松衣服、佩饰或长发可能会卷入运动部件。
- ▶ **如果提供了与排屑、集尘设备连接用的装置，要确保其连接完好且使用得当。**使用集尘装置可降低尘屑引起的危险。
- ▶ **不要因为频繁使用工具而产生的熟悉感而掉以轻心，忽视工具的安全准则。**某个粗心的动作可能在瞬间导致严重的伤害。

#### 电动工具使用和注意事项

- ▶ **不要勉强使用电动工具，根据用途使用合适的电动工具。**选用合适的按照额定值设计的电动工具会使你工作更有效、更安全。
- ▶ **如果开关不能接通或关断电源，则不能使用该电动工具。**不能通过开关来控制的电动工具是危险的且必须进行修理。
- ▶ **在进行任何调节、更换附件或贮存电动工具之前，必须从电源上拔掉插头和/或卸下电池包（如可拆卸）。**这种防护性的安全措施降低了电动工具意外起动的风险。
- ▶ **将闲置不用的电动工具贮存在儿童所及范围之外，并且不允许不熟悉电动工具和不了解这些说明的人操作电动工具。**电动工具在未经培训的使用者手中是危险的。
- ▶ **维护电动工具及其附件。**检查运动部件是否调整到位或卡住，检查零件破损情况和影响电动工具运行的其他状况。如有损坏，应在使用前修理好电动工具。许多事故是由维护不良的电动工具引发的。
- ▶ **保持切削刀具锋利和清洁。**维护良好地有锋利切削刃的刀具不易卡住而且容易控制。
- ▶ **按照使用说明书，并考虑作业条件和要进行的作业来选择电动工具、附件和工具的刀头等。**将电动工具用于那些与其用途不符的操作可能会导致危险情况。
- ▶ **保持手柄和握持表面干燥、清洁，不得沾有油脂。**在意外的情况下，湿滑的手柄不能保证握持的安全和对工具的控制。

#### 电池式工具使用和注意事项

- ▶ **仅使用生产者规定的充电器充电。**将适用于某种电池包的充电器用到其他电池包时可能会发生着火危险。
- ▶ **仅使用配有专用电池包的电动工具。**使用其他电池包可能会产生伤害和着火危险
- ▶ **当电池包不用时，将它远离其他金属物体，例如回形针、硬币、钥匙、钉子、螺钉或其他小金属物体，以防电池包一端与另一端连接。**电池组端部短路可能会引起燃烧或着火。
- ▶ **在滥用条件下，液体可能会从电池组中溅出；应避免接触。如果意外碰到液体，用水冲洗。如果液体碰到了眼睛，还应寻求医疗帮助。**从电池中溅出的液体可能会发生腐蚀或燃烧。

- ▶ **不要使用损坏或改装过的电池包或工具。**损坏或改装过的电池组可能呈现无法预测的结果，导致着火、爆炸或伤害。
- ▶ **不要将电池包暴露于火或者高温中。**电池包暴露于火或高于130 °C的高温中可能导致爆炸。
- ▶ **遵守所有充电说明，给电池组或工具充电时不要超出说明中规定的温度范围。**错误充电或温度超出规定的范围可能会损坏电池并提高着火的风险。

#### 维修

- ▶ **由专业维修人员使用相同的备件维修电动工具。**这将保证所维修的电动工具的安全。
- ▶ **决不能维修损坏的电池包。**电池包仅能由生产者或其授权的维修服务商进行维修。

#### 针对钻机和起子机的安全规章

##### 适用于全部操作的安全说明

- ▶ **带耳罩进行冲击作业。**暴露于噪声环境会导致失聪。
- ▶ **当在钻削附件可能触及暗线的场合进行操作时，通过绝缘握持面握持工具。**钻削附件碰到带电导线会使工具外露金属零件带电而使操作者遭受电击
- ▶ **对于搅拌机，除非搅拌装置位于搅拌材料中，否则不要开启和关闭工具。**不这样操作会导致失控而产生人身伤害。
- ▶ **操作时切勿超出钻头的最大额定转速。**在较高转速下，如果让钻头在不接触工件的情况下随意旋转，很可能导致其弯折，从而引发人身伤害。
- ▶ **务必以低转速开始钻孔，并让钻头尖端与工件接触。**在较高转速下，如果让钻头在不接触工件的情况下随意旋转，很可能导致其弯折，从而引发人身伤害。
- ▶ **施压时务必与钻头成一直线，且不得施加过大压力。**若钻头弯折会导致其损坏或失控，从而引发人身伤害。

##### 其它安全规章

- ▶ **请紧握电动工具。**拧紧和拧松螺丝时可能短时出现高反应扭矩。
- ▶ **固定好工件。**使用固定装置或老虎钳固定工件，会比用手持握工件更牢固。
- ▶ **使用合适的侦测装置侦察隐藏的电线，或者向当地的相关单位寻求支援。**接触电线可能引起火灾并让操作者触电。损坏了瓦斯管会引起爆炸。如果水管被刺穿了会导致财物损失。
- ▶ **等待电动工具完全静止后才能够放下机器。**机器上的工具可能在工作中被夹住，而令您无法控制电动工具。
- ▶ **如果充电电池损坏或者未按照规定使用，充电电池中会散发出有毒蒸汽。充电电池可能会燃烧或爆炸。**工作场所必须保持空气流通，如果身体有任何不适必须马上就医。蒸汽会刺激呼吸道。
- ▶ **切勿改装并打开充电电池。**可能造成短路。

- ▶ **钉子、螺丝刀等尖锐物品或外力作用可能会损坏充电电池。** 有可能出现内部短路、蓄电池燃烧、发出烟雾、爆炸或过热。
- ▶ **仅在制造商的产品中使用充电电池。** 这样才能确保充电电池不会过载。



**保护充电电池免受高温（例如长期阳光照射）、火焰、脏污、水和湿气的侵害。** 有爆炸和短路的危险。



- ▶ **当工具刀头被夹住时，请立即关闭电动工具。以防反作用力矩导致反弹。** 当电动工具过载或向待加工工件倾斜时，工具刀头就会卡住。

## 产品和性能说明



**请阅读所有安全规章和指示。** 不遵照以下警告和说明可能导致电击、着火和/或严重伤害。

请注意本使用说明书开头部分的图示。

### 按照规定使用

本电动工具用于拧紧和松开螺丝以及在木材、金属、陶瓷和塑料上钻孔。GSB还可以用于在砖块、砖墙和岩石上锤钻。

### 技术参数

充电式冲击钻起子机		GSR 18V-50	GSB 18V-50
物品代码		<b>3 601 JH5 0..</b>	<b>3 601 JH5 1..</b>
额定电压	伏特=	18	18
空载转速 <sup>A)</sup>			
- 第1档	转/分钟	0-460	0-460
- 第2档	转/分钟	0-1800	0-1800
冲击次数 <sup>A)</sup>	转/分钟	-	0-27000
硬扭转/软扭转的最大扭力 <sup>A)</sup>	牛顿米	50/28	50/28
最大钻孔直径 (第1/第2档)			
- 木材	毫米	35	35
- 钢	毫米	13	13
- 砖墙	毫米	-	13
夹头的夹紧范围	毫米	1.5-13	1.5-13
最大螺栓直径	毫米	10	10
重量 <sup>B)</sup>	公斤	1.4-2.4	1.4-2.5
充电时建议的环境温度	摄氏度	0至 +35	0至 +35
工作时和存放时允许的环境温度	摄氏度	-20至 +50	-20至 +50
池		GBA 18V... ProCORE18V...	GBA 18V... ProCORE18V...
推荐的充电器		GAL 18... GAX 18... GAL 36...	GAL 18... GAX 18... GAL 36...

A) 在20-25摄氏度的条件下带充电电池**GBA 18V 5.0Ah**测得

B) 视所使用的充电电池而定

数值可能因不同产品而异，并且受到应用和环境条件影响。更多信息请参见[www.bosch-professional.com/wac](http://www.bosch-professional.com/wac)。

### 插图上的机件

机件的编号和电动工具详解图上的编号一致。

- (1) 工具夹头
- (2) 快速夹头
- (3) 扭矩预选调节环
- (4) 运行模式预选调节环 (GSB 18V-50)
- (5) 选档开关
- (6) 腰带夹
- (7) 充电电池<sup>a)</sup>
- (8) 充电电池解锁按钮<sup>a)</sup>
- (9) 工作灯 (LED)
- (10) 正逆转开关
- (11) 电源开关
- (12) 批头套筒<sup>a)</sup>
- (13) 手柄 (绝缘握柄)

a) 该附件并不包含在基本的供货范围内。

## 充电电池

**Bosch**也销售不带充电电池的充电式电动工具。您可以在包装上查看电动工具的供货范围内是否包含充电电池。

### 为充电电池充电

► **请只使用在技术参数中列出的充电器。**只有这些充电器才适用于本电动工具上的锂离子电池。

**提示：**鉴于国际运输规定，锂离子充电电池在交货时只完成部分充电。首度使用电动工具之前，必须先充足充电电池的电量以确保充电电池的功率。

### 安装充电电池

将充好电的充电电池推入电池座，直到嵌入。



### 取出充电电池

如需取下充电电池，则请按解锁按钮，然后拔出充电电池。**在此过程中请勿过度用力。**

充电电池具备双重锁定功能，即使不小心触动了充电电池的解锁按钮，充电电池也不会从机器中掉落下来。只要充电电池安装在电动工具中，就会被弹簧固定在其位置上。

### 充电电池电量指示灯

提示：并非每种充电电池型号均具备电量指示灯。充电电池电量指示灯的绿色LED灯显示充电电池的电量。基于安全原因，只能在电动工具静止时检查充电电池的电量。

按压充电电量指示灯按键或，来显示充电电量。也可以在充电电池取下时操作。

如果按压充电电量指示灯按键后没有LED灯亮起，则说明充电电池损坏，必须进行更换。

#### 充电电池型号GBA 18V...



LED	电量
3个绿灯长亮	60-100 %
2个绿灯长亮	30-60 %
1个绿灯长亮	5-30 %
1个绿灯闪烁	0-5 %

#### 充电电池型号ProCORE18V...



LED	电量
5个绿灯长亮	80-100 %
4个绿灯长亮	60-80 %
3个绿灯长亮	40-60 %
2个绿灯长亮	20-40 %
1个绿灯长亮	5-20 %

LED	电量
1个绿灯闪烁	0-5 %

### 如何正确地使用充电电池

保护充电电池，避免湿气和水分渗入。

充电电池必须储存在-20 °C至50 °C的环境中。夏天不得将充电电池搁置在汽车中。

不时地使用柔软、清洁而且干燥的毛刷清洁充电电池的通气孔。

充电后如果充电电池的使用时间明显缩短，代表充电电池已经损坏，必须更换新的充电电池。

请注意有关作废处理的规定。

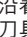
## 安装


► **对电动工具执行任何操作（比如保养、更换刀具等）前需将充电电池从电动工具中取出。**意外操作起停开关可能会造成伤害。

### 更换刀具（参见插图A）

► **对电动工具执行任何操作（比如保养、更换刀具等）前需将充电电池从电动工具中取出。**意外操作起停开关可能会造成伤害。

电源开关(11)未按下时可锁定钻轴。这样就能快速便捷地更换钻夹头中的工具刀头。

沿着方向转动，打开快速夹头(2)，直至可以插入刀具。安装好刀具。

沿着旋转方向用手使劲转动快速夹头(2)的衬套。由此钻夹头会被自动锁止。

### 抽吸粉尘/切屑

含铅的颜料以及某些木材、矿物和金属的加工废尘有害健康。机器操作者或者工地附近的人如果接触、吸入这些废尘，可能会有过敏反应或者感染呼吸道疾病。

某些尘埃（例如加工橡木或山毛榉的废尘）可能致癌，特别是和处理木材的添加剂（例如木材的防腐剂等）结合之后。只有经过专业训练的人才能够加工含石棉的物料。

- 工作场所要保持空气流通。

- 最好佩戴P2滤网等级的口罩。

请留心并遵守贵国和加工物料有关的法规。

► **避免让工作场所堆积过多的尘垢。**尘埃容易被点燃。

## 运行

### 投入使用

#### 调整旋转方向（见图片B）

通过正逆转开关(10)可以更改电动工具的旋转方向。按下起停开关(11)后无法更改。

**正转：**钻孔和旋入螺栓时，向左按压正逆转开关(10)直至极限位置。

**逆转：**松开或拧出螺丝和螺母时，向右按压正逆转开关(10)直至极限位置。

### 设置运行模式

#### 钻孔



##### GSR 18V-50

将扭矩预选调节环 (3) 调到“钻孔”图标上。

##### GSB 18V-50

将运行模式预选调节环 (4) 调到“钻孔”图标上。

#### 拧螺丝



##### GSR 18V-50

将扭矩预选调节环 (3) 调到需要的扭矩上。

##### GSB 18V-50

将运行模式预选调节环 (4) 调到“拧螺丝”图标上。

将扭矩预选调节环 (3) 调到需要的扭矩上。

#### 锤钻



##### GSB 18V-50

将运行模式预选调节环 (4) 调到“锤钻”图标上。

### 接通/关闭

将电动工具投入使用时按压起停开关(11)并按住。轻按或将起停开关(11)按到底时，LED灯(9)会亮起，在照明状态不佳的环境中可以借此照亮操作位置。

关闭电动工具时，请松开起停开关(11)。

### 调整转速

根据按压起停开关(11)的程度，可以无级调节已接通的电动工具的转速。

轻按起停开关(11)，转速低。逐渐在开关上加压，转速也会跟着提高。

### 预选扭矩 (适用于旋螺栓工作模式)

用扭矩预选调节环(3)可在20个档位中预选所需的扭矩。一旦达到设置的扭矩，工具就会停下。

### 机械式选档

► 只能在电动工具静止时操纵选档开关(5)。

#### 第1档：

低转速范围；适用于钻孔直径较大时或拧螺丝时。

#### 第2档：

高转速范围；适用钻孔直径较小时。

► 始终将档位选择开关推至极限位置。否则可能会损坏电动工具。

### 全自动主轴锁定功能 (Auto-Lock)

电源开关(11)未按下时可锁定钻轴，从而锁住工具夹头(1)。

因此，即使充电电池(7)没电了，也可以使用本电动工具拧入螺丝，换句话说，也可以使用本机器充当螺丝起子机。

### 工作提示

► 先关闭电动工具，然后再放置在螺栓上。旋转的工具刀头可能会滑开。

把大的、长的螺丝拧入坚硬的物料中之前，必须根据螺纹的中心直径预钻孔，预钻孔的深度大概为螺丝长度的2/3。

要去除螺丝批嘴或通用批嘴套筒，可以使用辅助工具。

#### 腰带夹

使用腰带夹(6)可以把电动工具挂在例如腰带上。不但能够空出双手，而且可随时够到电动工具。

## 维修和服务

### 维护和清洁

► 对电动工具执行任何操作（比如保养、更换刀具等）前需将充电电池从电动工具中取出。意外操作起停开关可能会造成伤害。

► 电动工具和通气孔必须随时保持清洁，以确保工作效率和工作安全。

### 客户服务和应用咨询

本公司顾客服务处负责回答有关本公司产品的修理、维护和备件的问题。备件的展开图纸和信息也可查看：[www.bosch-pt.com](http://www.bosch-pt.com)  
博世应用咨询团队乐于就我们的产品及其附件问题提供帮助。

询问和订购备件时，务必提供机器铭牌上标示的10位数物品代码。

#### 中国大陆

博世电动工具（中国）有限公司

中国 浙江省 杭州市

滨江区 滨康路567号

102/1F 服务中心

邮政编码：310052

电话：(0571)8887 5566 / 5588

传真：(0571)8887 6688 x 5566# / 5588#

电邮：[bsc.hz@cn.bosch.com](mailto:bsc.hz@cn.bosch.com)

[www.bosch-pt.com.cn](http://www.bosch-pt.com.cn)

#### 制造商地址：

Robert Bosch Power Tools GmbH

罗伯特·博世电动工具有限公司

70538 Stuttgart / GERMANY

70538 斯图加特 / 德国

#### 其他服务地址请见：

[www.bosch-pt.com/serviceaddresses](http://www.bosch-pt.com/serviceaddresses)

### 搬运

所推荐的锂离子充电电池必须符合危险物品法规。使用者无须另外使用保护包装便可以运送该充电电池。

但是如果将它交由第三者运送（例如：寄空运或委托运输公司）则要使用特殊的包装和标示。此时必须向危险物品专家请教有关寄送危险物品的相关事宜。



确定充电电池的外壳未受损后，才可以寄送充电电池。粘好未加盖的触点并包装好充电电池，不可以让充电电池在包装中晃动。必要时也得注意各国有关的法规。

### 处理废弃物



必须以符合环保的方式，回收再利用损坏的电动工具、充电电池、附件和废弃的包装材料。



不可以把电动工具和充电电池/蓄电池丢入一般的家庭垃圾中！

### 充电电池/电池：

#### 锂离子：

请注意“搬运”段落中的指示（参见“搬运”，页 29）确认设置。

### 产品中有害物质的名称及含量

部件名称	有害物质					
	铅 (Pb)	汞 (Hg)	镉 (Cd)	六价铬 (Cr <sup>6+</sup> )	多溴联苯 (PBB)	多溴二苯醚 (PBDE)
外壳的金属部分	○	○	○	○	○	○
外壳的非金属部分	○	○	○	○	○	○
机械传动机构	X	○	○	○	○	○
电机组件	X	○	○	○	○	○
控制组件	X	○	○	○	○	○
附件	○	○	○	○	○	○
配件	○	○	○	○	○	○
连接件	X	○	○	○	○	○
电源线①	○	○	○	○	○	○
电池系统②	X	○	○	○	○	○

本表格依据SJ/T11364的规定编制。

○：表示该有害物质在该部件所有均质材料中的含量均在GB/T 26572规定的限量要求以下。

X：表示该有害物质至少在该部件的某一均质材料中的含量超出GB/T 26572规定的限量要求。且目前业界没有成熟的替代方案，符合欧盟RoHS指令环保要求。

① 适用于采用电源线连接供电的产品。

② 适用于采用充电电池供电的产品。

产品环保使用期限内的使用条件参见产品说明书。

## 繁體中文

### 安全注意事項

#### 電動工具一般安全注意事項

#### 警告

請詳讀工作臺及電動工具的所有安全警告與使用說明。若不遵照以下列出的指示，將可能導致電擊、著火和/或人員重傷。

保存所有警告和說明書以備查閱。

在所有警告中，「電動工具」此一名詞泛指：以市電驅動的（有線）電動工具或是以電池驅動的（無線）電動工具。

#### 工作場地的安全

- ▶ 保持工作場地清潔和明亮。混亂和黑暗的場地會引發事故。
- ▶ 不要在易爆環境，如有易燃液體、氣體或粉塵的環境下操作電動工具。電動工具產生的火花會點燃粉塵或氣體。
- ▶ 讓兒童和旁觀者離開後操作電動工具。注意力不集中會使您失去對工具的控制。

#### 電氣安全

- ▶ 電動工具插頭必須與插座相配。絕不能以任何方式改裝插頭。需接地的電動工具不能使用任何轉換插頭。未經改裝的插頭和相配的插座將減少電擊危險。

- ▶ 避免人體接觸接地表面，如管道、散熱片和冰箱。如果您身體接地會增加電擊危險。
- ▶ 不得將電動工具暴露在雨中或潮濕環境中。水進入電動工具將增加電擊危險。
- ▶ 不得濫用電線。絕不能用電線搬運、拉動電動工具或拔出其插頭。使電線遠離熱源、油、銳利邊緣或移動零件。受損或纏繞的軟線會增加電擊危險。
- ▶ 當在戶外使用電動工具時，使用適合戶外使用的延長線。適合戶外使用的軟線，將減少電擊危險。
- ▶ 如果在潮濕環境下操作電動工具是不可避免的，應使用剩餘電流動作保護器（RCD）。使用RCD可降低電擊危險。

#### 人身安全

- ▶ 保持警覺，當操作電動工具時關注所從事的操作並保持清醒。當您感到疲倦，或在有藥物、酒精或治療反應時，不要操作電動工具。在操作電動工具時瞬間的疏忽會導致嚴重人身傷害。
- ▶ 使用個人防護裝置。始終佩戴護目鏡。安全裝置，諸如適當條件下使用防塵面具、防滑安全鞋、安全帽、聽力防護等裝置能減少人身傷害。
- ▶ 防止意外起動。確保開關在連接電源和 / 或電池盒、拿起或搬運工具時處於關閉位置。手指放在已接通電源的開關上或開關處於接通時插入插頭可能會導致危險。
- ▶ 在電動工具接通之前，拿掉所有調節鑰匙或扳手。遺留在電動工具旋轉零件上的扳手或鑰匙會導致人身傷害。
- ▶ 手不要伸展得太長。時刻注意立足點和身體平衡。這樣在意外情況下能很好地控制電動工具。
- ▶ 著裝適當。不要穿寬鬆衣服或佩戴飾品。讓您的衣物及頭髮遠離運動部件。寬鬆衣服、佩飾或長髮可能會捲入運動部件中。
- ▶ 如果提供了與排屑、集塵設備連接用的裝置，要確保他們連接完好且使用得當。使用這些裝置可減少塵屑引起的危險。
- ▶ 切勿因經常使用工具所累積的熟練感而過度自信，輕忽工具的安全守則。任何一個魯莽的舉動都可能瞬間造成人員重傷。

#### 電動工具使用和注意事項

- ▶ 不要濫用電動工具，根據用途使用適當的電動工具。選用適當設計的電動工具會使您工作更有效、更安全。
- ▶ 如果開關不能開啟或關閉工具電源，則不能使用該電動工具。不能用開關來控制的電動工具是危險的且必須進行修理。
- ▶ 在進行任何調整、更換配件或貯存電動工具之前，必須從電源上拔掉插頭並 / 或取出電池盒。這種防護性措施將減少工具意外起動的危險。
- ▶ 將閒置不用的電動工具貯存在兒童所及範圍之外，並且不要讓不熟悉電動工具或對這些說明不瞭解的人操作電動工具。電動工具在未經培訓的用戶手中是危險的。
- ▶ 保養電動工具與配備。檢查運動件是否調整到位或卡住，檢查零件破損情況和影響電動工具運行

的其他狀況。如有損壞，電動工具應在使用前修理好。許多事故由維護不良的電動工具引發。

- ▶ 保持切削刀具鋒利和清潔。保養良好的有鋒利切削刃的刀具不易卡住而且容易控制。
- ▶ 按照使用說明書，考慮作業條件和進行的作業來使用電動工具、配件和工具的刀頭等。將電動工具用於那些與其用途不符的操作可能會導致危險。
- ▶ 把手及握持區應保持乾燥、潔淨，且不得沾染任何油液或油脂。易滑脫的把手及握持區將無法讓您在發生意外狀況時安全地抓緊並控制工具。

#### 電池式工具使用和注意事項

- ▶ 只用製造商規定的充電器充電。將適用於某種電池盒的充電器用到其他電池盒時會發生著火危險。
- ▶ 只有在配有專用電池盒的情況下才使用電動工具。使用其他電池盒會發生損壞和著火危險。
- ▶ 當電池盒不用時，將它遠離其他金屬物體，例如回形針、硬幣、鑰匙、釘子、螺絲或其他小金屬物體，以防一端與另一端連接。電池端部短路會引起燃燒或火災。
- ▶ 在濫用條件下，液體會從電池中濺出；避免接觸。如果意外碰到了，用水沖洗。如果液體碰到了眼睛，還要尋求醫療幫助。從電池中濺出的液體會發生腐蝕或燃燒。
- ▶ 請勿使用已受損或經改裝的電池盒。已受損或經改裝的電池組可能出現無法預期的反應，進而導致著火、爆炸或造成人員受傷。
- ▶ 勿讓電池盒或工具靠近火源或暴露於異常溫度環境中。若是靠近火源或暴露在超過130 °C的環境中可能造成爆炸。
- ▶ 請完全遵照所有的充電說明，電池盒或工具的溫度若是超出指示的規定範圍，請勿進行充電。不當充電或是未在規定的溫度範圍內進行充電，皆可能造成電池損壞並面臨更高的著火風險。

#### 檢修

- ▶ 將您的電動工具送交專業維修人員，必須使用同樣的備件進行更換。這樣將確保所維修的電動工具的安全性。
- ▶ 請勿自行檢修受損的電池盒。電池組應交由製造商或是獲得授權的服務供應商來進行檢修。

#### 電鑽和起子機的安全注意事項

##### 所有作業的安全說明

- ▶ 鑽孔時請戴上耳罩。暴露在噪音下會造成聽力喪失。
- ▶ 進行作業時，負責進行切割的配件或固定釘可能會碰觸到隱藏的配線，請從絕緣握把處拿持電動工具。負責進行切割的配件或固定釘若是觸及「導電」電線，可能導致電動工具外露的金屬部件「導電」，進而使操作人員遭受電擊。

##### 使用長鑽頭的安全說明

- ▶ 切勿以超過鑽頭額定最高轉速的速度操作。若鑽頭未接觸工件且以超過最高轉速的速度無負載轉動，可能會讓鑽頭彎曲並導致人員受傷。

- ▶ 請務必以低速啟動並將鑽尖確實抵住工件。若鑽頭未接觸工件且以超過最高轉速的速度無負載轉動，可能會讓鑽頭彎曲並導致人員受傷。
- ▶ 請沿著鑽頭方向施加適當的壓力，切勿過度施壓。鑽頭可能會彎曲並造成斷裂、失控並導致人員受傷。

#### 其他安全注意事項

- ▶ 請牢牢握緊電動工具。旋緊與鬆開螺柱時，瞬間可能會有較大的反作用力。
- ▶ 固定好工件。使用固定裝置或老虎鉗固定工件，會比用手持握工件更牢固。
- ▶ 使用合適的偵測裝置偵察隱藏的電線，或者向當地的相關單位尋求支援。接觸電線可能引起火災並讓操作者觸電。若損壞瓦斯管會引起爆炸。如果水管被刺穿會導致財物損失。
- ▶ 必須等待電動工具完全靜止後才能將它放下。嵌件工具可能卡住而使電動工具失控。
- ▶ 如果充電電池損壞了，或者未按照規定使用充電電池，充電電池中會散發出有毒蒸氣。充電電池可能起火或爆炸。工作場所必須保持空氣流通，如果身體有任何不適必須馬上就醫。充電電池散發的蒸氣會刺激呼吸道。
- ▶ 切勿改裝拆開充電電池。可能造成短路。
- ▶ 尖銳物品（例如釘子或螺絲起子）或是外力皆有可能造成充電電池損壞。進而導致內部短路而發生電池起火、冒煙、爆炸或過熱等事故。
- ▶ 僅可在製造商的產品中使用充電電池。如此才可提供過載保護。



保護充電電池免受高溫（例如長期日照）、火焰、污垢、水液和濕氣的侵害。有爆炸及短路之虞。



- ▶ 如果嵌件工具被夾住了，請立刻關閉電動工具的電源。請準備好承受反作用力所造成的反彈。電

動工具過載時或當它在進行加工的工件內部歪斜時，都會造成嵌件工具被夾住不動。

## 產品和功率描述



請詳讀所有安全注意事項和指示。如未遵守安全注意事項與指示，可能導致火災、人員遭受電擊及 / 或重傷。

請留意操作說明書中最前面的圖示。

### 依規定使用機器

此電動工具可用來轉入或旋鬆螺絲，並且可在木材、金屬、混凝土及塑膠等材質上進行鑽孔。此外，GSB 還可在磚塊、砌牆和石材上進行衝擊鑽孔。

### 插圖上的機件

機件的編號和電動工具詳解圖上的編號一致。

- (1) 工具夾座
- (2) 快速夾頭
- (3) 預設扭力調整環
- (4) 操作模式設定調整環 (GSB 18V-50)
- (5) 選檔開關
- (6) 腰帶夾
- (7) 充電電池<sup>a)</sup>
- (8) 充電電池解鎖按鈕<sup>a)</sup>
- (9) 工作燈 (LED)
- (10) 正逆轉開關
- (11) 電源開關
- (12) 工具頭夾持器<sup>a)</sup>
- (13) 把手 (絕緣握柄)

a) 所述之配件並不包含在基本的供貨範圍中。

## 技術性數據

充電式電鑽起子機		GSR 18V-50	GSB 18V-50
產品機號		3 601 JH5 0..	3 601 JH5 1..
額定電壓	V=	18	18
無負載轉速 <sup>A)</sup>			
- 1 檔	次 / 分	0-460	0-460
- 2 檔	次 / 分	0-1800	0-1800
衝擊次數 <sup>A)</sup>	min <sup>-1</sup>	-	0-27000
硬材料鎖螺絲 / 軟材料鎖螺絲的最大扭力 <sup>A)</sup>	Nm	50/28	50/28
最大鑽孔直徑 (1 檔 / 2 檔)			
- 木材	mm	35	35
- 鋼材	mm	13	13
- 砌牆	mm	-	13
夾頭的夾緊範圍	mm	1.5-13	1.5-13
最大螺柱直徑	mm	10	10



充電式電鑽起子機		GSR 18V-50	GSB 18V-50
重量 <sup>B)</sup>	kg	1.4-2.4	1.4-2.5
充電狀態下的建議環境溫度	°C	0 ... +35	0 ... +35
操作狀態下以及存放狀態下的容許環境溫度	°C	-20 ... +50	-20 ... +50
建議使用的充電電池		GBA 18V... ProCORE18V...	GBA 18V... ProCORE18V...
建議使用的充電器		GAL 18... GAX 18... GAL 36...	GAL 18... GAX 18... GAL 36...

A) 於 20–25 °C 配備充電電池 **GBA 18V 5.0Ah** 時測得。

B) 視所使用的充電蓄電池而定

數值可能因產品而異，並受使用條件以及環境條件影響。進一步資訊請見 [www.bosch-professional.com/wac](http://www.bosch-professional.com/wac)。

## 充電電池

**Bosch** 亦販售不含充電電池的充電式電動工具。可以從外包装看出電動工具的供貨範圍是否包括電池。

### 為充電電池進行充電

► 只能選用技術性數據裡所列出的充電器。僅有這些充電器適用於電動工具所使用的鋰離子充電電池。

**提示：**由於國際運輸規定，出貨時鋰離子充電電池已部分充電。初次使用電動工具之前，請先將充電電池充飽電以確保充電電池蓄滿電力。

### 安裝充電電池

將已充飽電的充電電池推至充電電池固定座內，直到卡緊。



### 取出充電電池

若要取出充電電池，請按解鎖鈕，然後將充電電池抽出。不可以強行拉出充電電池。

本充電電池具備了雙重鎖定功能，即使不小心按壓了充電電池解鎖按鈕，充電電池也不會從機器中掉落出來。固定彈簧會把充電電池夾緊在機器中。

### 充電電池的電量指示器

提示：並非所有的充電電池類型都有電量指示器。充電電池的電量指示器透過綠色 LED 燈告知充電電池的目前電量。基於安全顧慮，務必在電動工具完全靜止時才能檢查充電電池的電量。

按一下電量指示器按鈕  或 , 即可顯示目前的電量。即使已取出充電電池，此項功能仍可正常運作。

按壓電量顯示按鈕後，LED 燈若未亮起，即表示充電電池故障，必須予以更換。

充電電池型號 **GBA 18V...**



LED	容量
3 顆綠燈持續亮起	60–100 %

LED	容量
2 顆綠燈持續亮起	30–60 %
1 顆綠燈持續亮起	5–30 %
1 顆綠燈呈閃爍狀態	0–5 %

### 充電電池型號 ProCORE18V...



LED	容量
5 顆綠燈持續亮起	80–100 %
4 顆綠燈持續亮起	60–80 %
3 顆綠燈持續亮起	40–60 %
2 顆綠燈持續亮起	20–40 %
1 顆綠燈持續亮起	5–20 %
1 顆綠燈呈閃爍狀態	0–5 %

### 如何正確地使用充電電池

妥善保護充電電池，避免濕氣和水分滲入。充電電池必須儲存在 -20 °C 至 50 °C 的環境中。夏天不可以把充電電池擱置在汽車中。偶爾用柔軟、乾淨且乾燥的毛刷清潔充電電池的通氣孔。

充電後如果充電電池的使用時間明顯縮短，代表充電電池已經損壞，必須更換新的充電電池。

請您遵照廢棄物處理相關指示。

## 安裝

► 在電動工具上進行任何作業之前（例如維修，更換工具等等），請將機器中的電池取出。若是不小心觸動起停開關，可能造成人員受傷。

### 更換工具（請參考圖 A）

► 在電動工具上進行任何作業之前（例如維修，更換工具等等），請將機器中的電池取出。若是不小心觸動起停開關，可能造成人員受傷。

未按下起停開關 (11) 時，工具機轉軸將固定鎖死。因此能夠簡便、快速地更換夾頭上的工具。

往旋轉方向 **1** 轉動，將快速夾頭 (2) 打開至能夠裝入工具為止。裝入工具。

往旋轉方向 **2** 徒手用力轉緊快速夾頭 (2) 的套筒。這樣做夾頭才會自動上鎖。

## 吸除廢塵 / 料屑

含鉛的顏料及部分木材、礦物和金屬的加工廢塵有害健康。機器操作者或者工地附近的人如果接觸、吸入這些廢塵，可能有過敏反應或者感染呼吸道疾病。

特定粉塵（例如加工橡木或山毛櫸的廢塵）可能致癌，特別是與處理木材的添加劑（例如木材的防腐劑等）混合之後。只有經過專業訓練的人才允許加工含石棉的物料。

– 工作場所要保持空氣流通。

– 建議佩戴 P2 濾網等級的口罩。

請留意並遵守貴國與加工物料有關的法規。

▶ **避免讓工作場所堆積過多的塵垢。** 塵埃容易被點燃。

## 操作

### 操作機器

#### 調整旋轉方向（請參考圖 B）

透過正逆轉開關 (10) 即可變更電動工具的旋轉方向。但按下起停開關 (11) 時，將無法這樣做。

**正轉：**若要旋入螺栓及旋緊螺母，請將正逆轉開關 (10) 往左推到底。

**逆轉：**若要鬆開或旋出螺栓與螺母，請將正逆轉開關 (10) 往右推到底。

#### 設定操作模式

##### 鑽孔



#### GSR 18V-50

將預設扭力調整環 (3) 移至「鑽孔」符號。

#### GSB 18V-50

將操作模式設定調整環 (4) 移至「鑽孔」符號。

##### 拆裝螺栓



#### GSR 18V-50

將預設扭力調整環 (3) 設為所需扭力。

#### GSB 18V-50

將操作模式設定調整環 (4) 移至「拆裝螺栓」符號。

將預設扭力調整環 (3) 設為所需扭力。

##### 衝擊鑽孔



#### GSB 18V-50

將操作模式設定調整環 (4) 移至「衝擊鑽孔」符號。

### 啟動 / 關閉

按下電源開關 (11) 不要放開，即可讓電動工具**持續運轉**。

輕按起停開關 (11) 或完全按下時，LED (9) 隨即亮起，可照亮光線不足的工作區域。

放開起停開關 (11)，即可讓電動工具**停止運轉**。

### 調整轉速

您可為已啟動的電動工具無段調控轉速，轉速是由按壓起停開關 (11) 的深度而定。

輕按起停開關 (11) 時，轉速較低。逐漸在開關上加壓，轉速也會跟著提高。

### 預設扭力（適用於螺栓操作模式）

預設扭力調整環 (3) 總共提供 20 段不同的扭力選擇，您可利用它來預設所需扭力。一達到所設扭力後，嵌件工具隨即停止運轉。

### 機械式選檔

▶ **電動工具靜止時，才能操作選檔開關 (5)。**

#### 1 檔：

低轉速範圍；適用於鑽大孔時或拆裝螺栓時。

#### 2 檔：

高轉速範圍；適用於鑽小孔時。

▶ **請務必將選檔開關完全推到底。** 否則可能造成電動工具損壞。

### 全自動的主軸鎖定功能（Auto-Lock）

未按下起停開關 (11) 時，工具機轉軸將固定不動，工具夾頭 (1) 也會鎖死。

因此，即使充電電池 (7) 沒電了，也可以使用本電動工具旋入螺栓，換句話說，也可以將本機器當做一般螺絲起子使用。

### 作業注意事項

▶ **電動工具應先停止運轉，然後才放到螺栓上。** 轉動中的嵌件工具可能會滑開。

將較大、較長螺栓旋入堅硬材質之前，應先以螺紋孔底預鑽孔至 2/3 螺栓長度。

拆卸螺絲起子工具頭或工具頭夾持器時，可使用輔助工具。

#### 腰帶夾

使用腰帶夾 (6) 即可把電動工具掛在腰帶上。如此不但能夠空出雙手而且電動工具亦隨手可及。

## 維修和服務

### 維修和清潔

▶ **在電動工具上進行任何作業之前（例如維修，更換工具等等），請將機器中的電池取出。** 若是不小心觸動起停開關，可能造成人員受傷。

▶ **電動工具和通風口都必須保持清潔，這樣才能夠提高工作品質和安全性。**

### 顧客服務處和顧客諮詢中心

本公司顧客服務處負責回答有關本公司產品的維修、維護和備用零件的問題。以下的網頁中有分解

圖和備用零件相關資料：[www.bosch-pt.com](http://www.bosch-pt.com)  
如果對本公司產品及其配件有任何疑問，博世應用諮詢小組很樂意為您提供協助。  
當您需要諮詢或訂購備用零件時，請務必提供本產品型號銘牌上 10 位數的產品機號。

#### 台灣進口商

台灣羅伯特博世股份有限公司  
建國北路一段90 號6 樓  
台北市10491  
電話: (02) 7734 2588  
傳真: (02) 2516 1176  
[www.bosch-pt.com.tw](http://www.bosch-pt.com.tw)

#### 制造商地址:

Robert Bosch Power Tools GmbH  
羅伯特· 博世電動工具有限公司  
70538 Stuttgart / GERMANY  
70538 斯圖加特/ 德國

#### 以下更多客戶服務處地址:

[www.bosch-pt.com/serviceaddresses](http://www.bosch-pt.com/serviceaddresses)

#### 搬運

建議使用的鋰離子充電電池受危險物品法的規範。  
使用者無須另外使用保護包裝便可運送該充電電池。

但是如果將它交由第三者運送（例如：寄空運或委託運輸公司），則應遵照包裝與標示的相關要求。此時必須向危險物品專家請教有關寄送危險物品的相關事宜。

確定充電電池的外殼未受損後，才可以寄送充電電池。用膠帶貼住裸露的接點並妥善包裝充電電池，不可以讓充電電池在包裝材料中晃動。同時也應留意各國相關法規。

#### 廢棄物處理



必須以符合環保的方式，將損壞的電動工具、充電電池、配件和包裝材料進行回收再利用。



不可以把電動工具和充電電池 / 拋棄式電池丟入一般家庭垃圾中！

#### 充電電池 / 拋棄式電池:

##### 鋰離子:

請注意「搬運」段落中的指示（參見「搬運」，頁 35）。

設備名稱：((Gerätebezeichnung tw))，型號：((Handelsbezeichnung))

限用物質及其化學符號

單元	鉛 (Pb)	汞 (Hg)	鎘 (Cd)	六價鉻 (Cr <sup>+6</sup> )	多溴聯苯 (PBB)	多溴二苯醚 (PBDE)
開關	○	○	○	○	○	○
電容器	○	○	○	○	○	○
馬達	○	○	○	○	○	○
電源線	○	○	○	○	○	○
外殼( 塑料)	○	○	○	○	○	○

備考 1. "超出 0.1 wt %" 及 "超出 0.01 wt %" 係指限用物質之百分比含量超出百分比含量基準值。

備考 2. "○" 係指該項限用物質之百分比含量未超出百分比含量基準值。

備考 3. "-" 係指該項限用物質為排除項目。

## ไทย

### คำเตือนเพื่อความปลอดภัย

#### คำเตือนเพื่อความปลอดภัยทั่วไปสำหรับเครื่องมือไฟฟ้า

**⚠ คำเตือน** อ่านคำเตือนเพื่อความปลอดภัย คำแนะนำ ภาพประกอบ และข้อมูล

จำเพาะทั้งหมดที่จัดส่งมาพร้อมกับเครื่องมือไฟฟ้า  
การไม่ปฏิบัติตามคำแนะนำทั้งหมดที่ระบุไว้ด้านบน

ล่างนี้อาจทำให้ถูกไฟฟ้าดูด เกิดไฟไหม้ และ/หรือได้รับบาดเจ็บอย่างร้ายแรง

**เก็บรักษาคำเตือนและคำสั่งทั้งหมดสำหรับเปิดอ่านในภายหลัง**

คำว่า "เครื่องมือไฟฟ้า" ในคำเตือนหมายถึง เครื่องมือไฟฟ้าของช่างที่ทำงานด้วยพลังงานไฟฟ้าจากแหล่งจ่ายไฟหลัก (มีสายไฟฟ้า) และเครื่องมือไฟฟ้าที่ทำงานด้วยพลังงานไฟฟ้าจากแบตเตอรี่ (ไร้สาย)

#### ความปลอดภัยในสถานที่ทำงาน

▶ รักษาสถานที่ทำงานให้สะอาดและมีไฟส่องสว่างดี สถานที่ที่มีดีหรือกรงรับนำมาซึ่งอุบัติเหตุ

- ▶ **อย่าใช้เครื่องมือไฟฟ้าทำงานในสภาพบรรยากาศที่จุดติดไฟได้** เช่น ในที่มีช่องเหลวไวไฟ ก๊าซ หรือฝุ่น เมื่อใช้เครื่องมือไฟฟ้าจะเกิดประกายไฟซึ่งอาจจุดฝุ่นหรือไอให้ลุกเป็นไฟได้
- ▶ **ขณะใช้เครื่องมือไฟฟ้าทำงาน ต้องกั้นเด็กและผู้ยืนดูให้ออกห่าง**  
การหันเหความสนใจอาจทำให้ท่านขาดการควบคุมเครื่องมือ

#### ความปลอดภัยเกี่ยวกับไฟฟ้า

- ▶ **ปลั๊กของเครื่องมือไฟฟ้าต้องเหมาะสมพอดีกับเต้าเสียบ อย่าตัดแปลงปลั๊กไม่ว่าในลักษณะใดๆ** อย่างเด็ดขาด **อย่าใช้ปลั๊กที่วางต่อใดๆ กับเครื่องมือไฟฟ้าที่มีสายดิน** ปลั๊กที่ไม่ตัดแปลงและเต้าเสียบที่เข้ากันช่วยลดความเสี่ยงจากการถูกไฟฟ้าดูด
- ▶ **หลีกเลี่ยงอย่าให้ร่างกายสัมผัสกับพื้นผิวที่ต่อสายดินหรือลวดกราวด์ไว้** เช่น ท่อ เครื่องทำความร้อน เตา และตู้เย็น จะเสี่ยงอันตรายจากการถูกไฟฟ้าดูดมากขึ้นหากกระแสไฟฟ้าวิ่งผ่านร่างกายของท่านลงดิน
- ▶ **อย่าให้เครื่องมือไฟฟ้าถูกฝนหรืออยู่ในสภาพเปียกชื้น** หากน้ำเข้าในเครื่องมือไฟฟ้า จะเพิ่มความเสี่ยงจากการถูกไฟฟ้าดูด
- ▶ **อย่าใช้สายไฟฟ้าในทางที่ผิด** อย่าใช้สายไฟฟ้าเพื่อยก ดึง หรือถอยปลั๊กเครื่องมือไฟฟ้า กันสายไฟฟ้าออกจากความร้อน น้ำมัน ขอบแหลมคม หรือชิ้นส่วนที่เคลื่อนที่ สายไฟฟ้าที่ชำรุดหรือพันกันยังเพิ่มความเสี่ยงจากการถูกไฟฟ้าดูด
- ▶ **เมื่อใช้เครื่องมือไฟฟ้าทำงานกลางแจ้ง ให้ใช้สายไฟต่อที่เหมาะสมสำหรับการใช้งานกลางแจ้ง** การใช้สายไฟต่อที่เหมาะสมสำหรับงานกลางแจ้งช่วยลดอันตรายจากการถูกไฟฟ้าดูด
- ▶ **หากไม่สามารถหลีกเลี่ยงการใช้เครื่องมือไฟฟ้าทำงานในสถานที่เปียกชื้นได้ ให้ใช้สวิตช์ตัดวงจรเมื่อเกิดการรั่วไหลของไฟฟ้าจากสายดิน (RCD)** การใช้สวิตช์ตัดวงจรเมื่อเกิดการรั่วไหลของไฟฟ้าจากสายดินช่วยลดความเสี่ยงต่อการถูกไฟฟ้าดูด

#### ความปลอดภัยของบุคคล

- ▶ **ท่านต้องอยู่ในสภาพเตรียมพร้อม ระมัดระวังในสิ่งที่ท่านกำลังทำอยู่ และมีสติขณะใช้เครื่องมือไฟฟ้าทำงาน** อย่าใช้เครื่องมือไฟฟ้าขณะที่ท่านกำลังเหนื่อย หรืออยู่ภายใต้การครอบงำของฤทธิ์ของยาเสพติด แอลกอฮอล์ และยา เมื่อใช้เครื่องมือไฟฟ้าทำงานในช่วงเวลาที่ท่านขาดความเอาใจใส่อาจทำให้บุคคลบาดเจ็บอย่างรุนแรงได้
- ▶ **ใช้อุปกรณ์ปกป้องร่างกาย สวมแว่นตานิรภัยกันแสง** อุปกรณ์ปกป้อง เช่น หมวกกันน็อก รองเท้ากันลื่น หมวกแข็ง หรือประอบหูกันเสียงดังที่ให้ความเหมาะสมกับสภาพการทำงาน จะลดการบาดเจ็บทางร่างกาย
- ▶ **ป้องกันการติดเครื่องโดยไม่ตั้งใจ** ตรวจสอบให้แน่ใจว่าสวิตช์อยู่ในตำแหน่งปิดก่อนเชื่อมต่อเข้ากับแหล่งจ่ายไฟ และ/หรือแอมเบตเตอร์แก่ชกหรือถือเครื่องมือ การ

ถือเครื่องมือโดยไม่ตั้งใจที่สวิตช์ หรือสลับปลั๊กไฟฟ้าขณะสวิตช์เปิดอยู่ อาจนำไปสู่อุบัติเหตุที่ร้ายแรงได้

- ▶ **นำเครื่องมือปรับแต่งหรือประแจปากคายนอกก่อนเปิดสวิตช์เครื่องมือไฟฟ้า** เครื่องมือหรือประแจปากคายนี้อาจอยู่กับส่วนของเครื่องมือที่กำลังหมุนจะทำให้บุคคลบาดเจ็บได้
- ▶ **อย่าเอื้อมไกลเกินไป** ตั้งเท้าขึ้นที่มั่นคงและวางน้ำหนักให้สมดุลตลอดเวลา ในลักษณะนี้ท่านสามารถควบคุมเครื่องมือไฟฟ้าในสถานการณ์ที่ไม่คาดคิดได้ดีกว่า
- ▶ **แต่งกายอย่างเหมาะสม** อย่าใส่เสื้อผ้าหลวมหรือสวมเครื่องประดับ เข็มและเสื้อผ้านอกห่างจากชิ้นส่วนที่เคลื่อนที่ เสื้อผ้าหลวม เครื่องประดับ และผมยาวอาจเข้าไปติดในชิ้นส่วนที่เคลื่อนที่
- ▶ **หากเครื่องมือไฟฟ้ามีข้อเชื่อมต่อกับเครื่องดูดฝุ่นหรือเครื่องเก็บผง ให้ตรวจสอบให้แน่ใจว่าได้เชื่อมต่อและใช้งานอย่างถูกต้อง** การใช้อุปกรณ์ดูดฝุ่นช่วยลดอันตรายที่เกิดจากฝุ่นได้
- ▶ **เมื่อใช้งานเครื่องมือขึงจะเกิดความคุ้นเคย** อย่าให้ความคุ้นเคยทำให้ท่านเกิดความชะล่าใจและละเลยกฎเกณฑ์ด้านความปลอดภัยในการใช้งานเครื่องมือ การทำงานอย่างไม่ระมัดระวังอาจทำให้เกิดการบาดเจ็บอย่างร้ายแรงภายในเสี้ยววินาที

#### การใช้และการดูแลรักษาเครื่องมือไฟฟ้า

- ▶ **อย่าฝืนกำลังเครื่องมือไฟฟ้า** ใช้เครื่องมือไฟฟ้าที่ถูกต้องตรงตามลักษณะงานของท่าน เครื่องมือไฟฟ้าที่ถูกต้องจะทำงานได้ดีกว่าและปลอดภัยกว่าในระดับสมรรถภาพที่ออกแบบไว้
- ▶ **อย่าใช้เครื่องมือไฟฟ้าถ้าสวิตช์ไม่สามารถเปิดปิดได้** เครื่องมือไฟฟ้าที่ไม่สามารถควบคุมการเปิดปิดด้วยสวิตช์ได้ เป็นเครื่องมือไฟฟ้าที่ไม่ปลอดภัยและต้องส่งซ่อมแซม
- ▶ **ก่อนปรับแต่งเครื่อง เปลี่ยนอุปกรณ์ประกอบ หรือเก็บเครื่องเข่าที่ ต้องถอดปลั๊กออกจากแหล่งจ่ายไฟ และ/หรือถอดแบตเตอรี่ออกจากเครื่องมือไฟฟ้าหากถอดออกได้** มาตรการป้องกันเพื่อความปลอดภัยนี้ช่วยลดความเสี่ยงจากการติดเครื่องโดยไม่ตั้งใจ
- ▶ **เมื่อเลิกใช้งานเครื่องมือไฟฟ้า ให้เก็บเครื่องมือในที่ที่เด็กหยิบไม่ถึง และไม่อนุญาตให้บุคคลที่ไม่คุ้นเคยกับเครื่องมือหรือบุคคลที่ไม่ได้อ่านคำแนะนำนำเหล่านี้ใช้เครื่องมือ** เครื่องมือไฟฟ้าเป็นของอันตรายหากตกอยู่ในมือของผู้ใช้ที่ไม่ได้รับการฝึกฝน
- ▶ **บำรุงรักษาเครื่องมือไฟฟ้าและอุปกรณ์ประกอบ** ตรวจสอบชิ้นส่วนที่เคลื่อนที่ว่าวางไม่ตรงแนวหรือติดขัดหรือไม่ ตรวจสอบการแตกหักของชิ้นส่วนและสภาพชิ้นใดที่อาจมีผลต่อการทำงานของเครื่องมือไฟฟ้า หากชำรุดต้องส่งเครื่องมือไฟฟ้าไปซ่อมแซมก่อนใช้งาน อุบัติเหตุหลายอย่างเกิดขึ้นเนื่องจากดูแลรักษาเครื่องมือไม่ดีพอ
- ▶ **รักษาเครื่องมือตัดให้คมและสะอาด** หากบำรุงรักษาเครื่องมือที่มีขอบตัดแหลมคมอย่างถูกต้อง จะสามารถตัดได้ลื่นไม่ติดขัดและความคมได้ยาวกว่า
- ▶ **ใช้เครื่องมือไฟฟ้า อุปกรณ์ประกอบ เครื่องมือ และอุปกรณ์อื่นๆ** ตรงตามคำแนะนำเหล่านี้ โดยคำนึงถึงเงื่อนไขการทำงานและงานที่จะทำ การใช้เครื่องมือ

มือไฟฟ้าทำงานที่ต่างไปจากวัตถุประสงค์การใช้งานของเครื่อง อาจนำไปสู่สถานการณ์ที่เป็นอันตรายได้

- ▶ **ดูแลตามจับและพื้นผิวจับที่แห้ง สะอาด และปราศจาก ความเปื้อนและจาระบี** ตามจับและพื้นผิว จับที่ลื่นทำให้มือจับไถไม่ปลอดภัย และไม่สามารถควบคุมเครื่องมือในสถานการณ์ที่ไม่คาดคิด

#### การใช้และการดูแลรักษาเครื่องที่ใช้แบตเตอรี่

- ▶ **ชาร์จไฟใหม่ด้วยเครื่องชาร์จที่บริษัทผู้ผลิตระบุไว้เท่านั้น** เครื่องชาร์จที่เหมาะสมสำหรับชาร์จแบตเตอรี่แพ็คเกจหนึ่ง ๆ หากนำไปชาร์จแบตเตอรี่แพ็คเกจอื่น อาจเกิดไฟไหม้ได้
- ▶ **ใช้เครื่องมือไฟฟ้าเฉพาะกับแบตเตอรี่แพ็คเกจที่กำหนดไว้เท่านั้น** การใช้แบตเตอรี่แพ็คเกจอื่นเสี่ยงต่อการเกิดไฟไหม้หรือบาดเจ็บ
- ▶ **เมื่อไม่ใช้งานแบตเตอรี่แพ็คเกจ ให้เก็บไว้ห่างวัตถุที่เป็นโลหะ อื่นๆ เช่น คลิปหนีบกระดาษ เหรียญ กุญแจ ตะปู สกรู หรือ วัตถุที่เป็นโลหะขนาดเล็กอื่นๆ ที่สามารถเชื่อมต่อขั้วหนึ่งไป ยังอีกขั้วหนึ่งได้**  
การลัดวงจรของขั้วแบตเตอรี่อาจทำให้เกิดการไหม้หรือไฟลุกได้
- ▶ **หากใช้แบตเตอรี่อย่างอาจมีของเหลวไหลออกมาจาก แบตเตอรี่ได้ ให้หลีกเลี่ยงการสัมผัส หากสัมผัสโดยบังเอิญ ให้ใช้น้ำล้าง** หากของเหลวเข้าตา ให้ขอความช่วยเหลือ จากแพทย์ด้วย  
ของเหลวที่ไหลออกมาจากแบตเตอรี่อาจทำให้เกิดอาการ คันหรือแสบผิวหนังได้
- ▶ **อย่าใช้แบตเตอรี่แพ็คเกจหรือเครื่องมือที่ชำรุดหรือดัดแปลง แบตเตอรี่ที่ชำรุดหรือดัดแปลงอาจแสดงอาการที่ไม่สามารถ ถอดเอาได้ ส่งผลให้เกิดไฟไหม้ ระเบิด หรือ ความเสี่ยงต่อการได้รับบาดเจ็บ**
- ▶ **อย่าให้แบตเตอรี่แพ็คเกจหรือเครื่องมือสัมผัสไฟหรืออุณหภูมิที่สูงเกินไป** หากสัมผัสไฟหรืออุณหภูมิที่สูงกว่า 130 °C อาจทำให้เกิดการระเบิดได้
- ▶ **ปฏิบัติตามคำแนะนำเกี่ยวกับการชาร์จทั้งหมด และต้องไม่ ชาร์จแบตเตอรี่แพ็คเกจหรือเครื่องมือ นอกช่วงอุณหภูมิที่กำหนดในคำแนะนำ** การ ชาร์จแบตเตอรี่อย่าง ไม่ถูกวิธีหรือนอกช่วงอุณหภูมิที่กำหนด อาจทำให้แบตเตอรี่เสียหายและเพิ่มความเสี่ยงต่อการ เกิดไฟไหม้

#### การบริการ

- ▶ **ส่งเครื่องมือไฟฟ้าของท่านเข้ารับบริการจากช่างซ่อมที่มีคุณสมบัติเหมาะสม โดยใส่ชื่อผลิตภัณฑ์เหมือนกันเท่านั้น** ในลักษณะนี้ท่านจะแน่ใจได้ว่าเครื่องมือไฟฟ้าอยู่ในสภาพที่ปลอดภัย
- ▶ **อย่าบำรุงรักษาแบตเตอรี่แพ็คเกจที่ชำรุดอย่างเด็ดขาด** ต้องส่งให้บริษัทผู้ผลิตหรือศูนย์บริการที่ได้ ระบุอนุญาตทำการบำรุงรักษาแบตเตอรี่แพ็คเกจเท่านั้น

#### คำเตือนเพื่อความปลอดภัยสำหรับส่วนและไขวของ

##### คำเตือนเพื่อความปลอดภัยสำหรับการทำงานทั้งหมด

- ▶ **สวมประภคพู่ป้องกันเสียงตั้งเมื่อเจาะกระแทก** การรับฟัง เสียงดังอาจทำให้สูญเสียการได้ยิน

- ▶ **เมื่อทำงานในบริเวณที่อุปกรณ์ตัดหรือสกรูอาจสัมผัสสาย ไฟฟ้าที่ซ่อนอยู่ ต้องจับเครื่องมือไฟฟ้าตรงพื้นผิวจับที่หุ้ม ฉนวน** หากอุปกรณ์ตัดหรือสกรูสัมผัสสายที่ “มีกระแส ไฟฟ้า” ไหลผ่านจะทำให้ชิ้นส่วนโลหะที่ไม่มีการป้องกัน ของเครื่องมือไฟฟ้าเกิด “มีกระแสไฟฟ้า” ด้วย และส่งผล ให้ผู้ใช้งานเครื่องถูกไฟฟ้าดูดได้

#### คำเตือนเพื่อความปลอดภัยเมื่อใช้ดอกสว่านยาว

- ▶ **อย่าทำงานด้วยความเร็วที่สูงกว่าอัตราความเร็วสูงสุดของ ดอกสว่าน** ที่ความเร็วที่สูงกว่า ดอกสว่านอาจโค้งงอเมื่อ ปล่อยให้หมุนอย่างอิสระโดยไม่สัมผัสชิ้นงาน และส่งผลให้ ได้รับบาดเจ็บทางร่างกาย
- ▶ **เริ่มต้นเจาะด้วยความเร็วต่ำและให้ปลายดอกสว่านสัมผัส ชิ้นงานเสมอ** ที่ความเร็วที่สูงกว่า ดอกสว่านอาจโค้งงอเมื่อ ปล่อยให้หมุนอย่างอิสระโดยไม่สัมผัสชิ้นงาน และส่งผลให้ ได้รับบาดเจ็บทางร่างกาย
- ▶ **ใช้แรงกดให้ตรงกับแนวดอกสว่านเท่านั้นและอย่าใช้แรง กดมากเกินไป** ดอกสว่านอาจโค้งงอทำให้แตกหักหรือสูญเสีย การควบคุม และส่งผลให้ได้รับบาดเจ็บทางร่างกาย

#### คำแนะนำเพื่อความปลอดภัยเพิ่มเติม

- ▶ **จับเครื่องมือไฟฟ้าให้แน่น** ขณะขันสกรูเข้าและคลายออก อาจเกิดแรงบิดสะท้อนช่วงสั้นๆ อย่างรุนแรงได้
- ▶ **ยึดชิ้นงานให้แน่น** การยึดชิ้นงานด้วยเครื่องมือหรือแท่น จับจะมั่นคงกว่าการยึดด้วยมือ
- ▶ **ใช้เครื่องตรวจจับที่เหมาะสมเพื่อตรวจสอบสายไฟฟ้าหรือท่อ สาธารณูปโภคที่อาจซ่อนอยู่ในบริเวณทำงาน หรือติดต่อ บริษัทสาธารณูปโภคในพื้นที่เพื่อขอความช่วยเหลือ** การ สัมผัสกับสายไฟฟ้าอาจทำให้เกิดไฟไหม้หรือถูกไฟฟ้าดูด การทำให้ออกแก๊สเสียหายอาจทำให้เกิดระเบิด การ เจาะเข้าในท่อน้ำ ทำให้ทรัพย์สินเสียหาย
- ▶ **ขอให้เครื่องมือไฟฟ้าหยุดสนิทก่อนวางเครื่องมือลงบนพื้น เครื่องมือที่เสถียรอาจดีดขัดและทำให้สูญเสียการ ควบคุมเครื่องมือไฟฟ้า**
- ▶ **เมื่อแบตเตอรี่ชำรุดและนำไปใช้งานอย่างไม่ถูกต้องอาจมี ไอระเหยออกมาได้ แบตเตอรี่อาจเผาไหม้หรือระเบิดได้** ให้ สุดอากาศบริสุทธิ์และไปพบแพทย์ในกรณีเจ็บปวด ไอระเหยอาจทำให้ระบบหายใจระคายเคือง
- ▶ **ห้ามเปลี่ยนแปลงและเปิดแบตเตอรี่แบบชาร์จได้ อันตรายจากการลัดวงจร**
- ▶ **วัตถุที่แหลมคม ค. ย. เช่น ตะปูหรือไขวของ หรือแรงกระทำ ภายนอก อาจทำให้แบตเตอรี่เสียหายได้** สิ่งเหล่านี้อาจ ทำให้เกิดการลัดวงจรภายในและแบตเตอรี่ไหม้ มีควัน ระเบิด หรือร้อนเกินไป
- ▶ **ใช้เฉพาะแบตเตอรี่จากผลิตภัณฑ์ของผู้ผลิต** ในลักษณะนี้ แบตเตอรี่แพ็คเกจจะได้รับการปกป้องจากการใช้งานเกิน กำลังซึ่งเป็นอันตราย



**ปกป้องแบตเตอรี่จากความร้อน** รวมทั้ง ค. ย. เช่น จากการถูกแสงแดดส่องต่อเนื่อง จากไฟ ลังสปริง น้ำ และความชื้น อันตรายจากการ ระเบิดและการลัดวงจร

- ▶ **ปิดสวิทช์เครื่องมือไฟฟ้าทันทีทุกเครื่องเมื่อดีดขัด ให้เตรียมพร้อมสำหรับปฏิกิริยาแรงบิดสูงซึ่งเป็นเหตุให้เกิดการดี**



**กลับ** เครื่องมือจะติดขัดเมื่อเครื่องมือไฟฟ้าถูกใช้งานเกินกำลังหรือเครื่องมือถูกบีบอัดอยู่ในชิ้นงาน

## รายละเอียดผลิตภัณฑ์และข้อมูลจำเพาะ



**อ่านค่าเตือนเพื่อความปลอดภัยและคำแนะนำทั้งหมด** การไม่ปฏิบัติตามค่าเตือนและคำสั่งอาจเป็นสาเหตุใหญ่ถูกไฟฟ้าดูด เกิดไฟไหม้ และ/หรือได้รับบาดเจ็บอย่างร้ายแรง

กรุณาดูภาพประกอบในส่วนหน้าของคู่มือการใช้งาน

### ประโยชน์การใช้งานของเครื่อง

เครื่องมือไฟฟ้านี้ใช้สำหรับขันสกรูเข้าและคลายออก รวมทั้งเจาะรูในไม้ โลหะ เซรามิก และพลาสติก รุ่น GSB ยังใช้สำหรับเจาะกระแทกในอิฐ งานก่ออิฐ และหินได้ด้วย

### ส่วนประกอบที่แสดงในภาพ

ลำดับเลขของส่วนประกอบผลิตภัณฑ์อ้างอิงถึงส่วนประกอบของเครื่องมือไฟฟ้าที่แสดงในหน้าภาพประกอบ

### ข้อมูลทางเทคนิค

ส่วน/ใบควงไร้สาย		GSR 18V-50	GSB 18V-50
หมายเลขสินค้า		3 601 JH5 0..	3 601 JH5 1..
แรงดันไฟฟ้ากััด	V=	18	18
ความเร็วรอบเดินเครื่องเปล่า <sup>A)</sup>			
- เกียร์ 1	นาที <sup>-1</sup>	0-460	0-460
- เกียร์ 2	นาที <sup>-1</sup>	0-1800	0-1800
อัตราการกระแทก <sup>A)</sup>	นาที <sup>-1</sup>	-	0-27 000
แรงบิดสูงสุดสำหรับการขันสกรูแบบแข็ง/อ่อน <sup>A)</sup>	นิวตันเมตร	50/28	50/28
Ø การเจาะสูงสุด (เกียร์ 1/2)			
- ไม้	มม.	35	35
- เหล็กกล้า	มม.	13	13
- งานก่ออิฐ	มม.	-	13
วงหนีบหัวจับดอกสว่าน	มม.	1.5-13	1.5-13
Ø สูงสุดของสกรู	มม.	10	10
น้ำหนัก <sup>B)</sup>	กก.	1.4-2.4	1.4-2.5
อุณหภูมิโดยรอบที่แนะนำเมื่อชาร์จ	°C	0 ... +35	0 ... +35
อุณหภูมิโดยรอบที่อนุญาตเมื่อใช้งานและระหว่างการเก็บรักษา	°C	-20 ... +50	-20 ... +50
แบตเตอรี่แบบชาร์จได้ที่แนะนำ		GBA 18V... ProCORE18V...	GBA 18V... ProCORE18V...

- (1) ตามจับเครื่องมือ
  - (2) หัวจับดอกชนิดจับเร็ว
  - (3) แหวนตั้งแรงบิดลวงหน้า
  - (4) แหวนปรับเพื่อเลือกโหมดปฏิบัติการงาน (GSB 18V-50)
  - (5) สวิตช์ตั้งเกียร์
  - (6) คลิปเข็มขัด
  - (7) แบตเตอรี่แพ็ค<sup>a)</sup>
  - (8) แป้นปลดล็อกแบตเตอรี่<sup>a)</sup>
  - (9) ไฟส่องบริเวณทำงาน (LED)
  - (10) สวิตช์เปลี่ยนทิศทางการหมุน
  - (11) สวิตช์เปิด-ปิด
  - (12) ที่ใส่ดอกไขควง<sup>a)</sup>
  - (13) ตามจับ (พื้นผิวจับหุ้มฉนวน)
- a) อุปกรณ์เสริมนี้ไม่อยู่ในรายการอุปกรณ์มาตรฐานที่จัดส่ง

## ส่วน/ไขควงไร้สาย

GSR 18V-50

GSB 18V-50

เครื่องชาร์จที่แนะนำ

GAL 18...

GAL 18...

GAX 18...

GAX 18...

GAL 36...

GAL 36...

A) ต่ำเกินการวัด ณ อุณหภูมิ 20–25 °C พร้อมแบตเตอรี่ GBA 18V 5.0Ah

B) ขึ้นอยู่กับแบตเตอรี่แพ็คที่ใช้

ค่าอาจแตกต่างกันไปตามผลิตภัณฑ์และขึ้นอยู่กับเงื่อนไขการใช้งานและสภาพแวดล้อม โปรดดูข้อมูลเพิ่มเติมที่เว็บไซต์ [www.bosch-professional.com/wac](http://www.bosch-professional.com/wac)

## แบตเตอรี่

**Bosch** จำหน่ายเครื่องมือไฟฟ้าไร้สายไม่รวมแบตเตอรี่แพ็คด้วยเช่นกัน คุณสามารถดูได้จากบรรจุภัณฑ์ว่า ขอบเขตการจัดส่งเครื่องมือไฟฟ้าของคุณมีแบตเตอรี่แพ็คหรือไม่

## การชาร์จแบตเตอรี่

► **ใช้เฉพาะเครื่องชาร์จแบตเตอรี่ที่ระบุในข้อมูลทางเทคนิคเท่านั้น** เฉพาะเครื่องชาร์จแบตเตอรี่เหล่านี้เท่านั้นที่เข้าชุดกับแบตเตอรี่ลิเธียม ไอออน ของเครื่องมือไฟฟ้าของท่าน

**หมายเหตุ:** แบตเตอรี่ลิเธียม ไอออนถูกจัดส่งโดยมีการชาร์จไฟบางส่วนตามระเบียบข้อบังคับด้านการขนส่งระหว่างประเทศ เพื่อให้แน่ใจว่าแบตเตอรี่จะทำงานได้อย่างสมบูรณ์แบบ ก่อนใช้งานครั้งแรกให้ชาร์จแบตเตอรี่จนเต็ม

## การใส่แบตเตอรี่

ใส่แบตเตอรี่ที่ชาร์จแล้วเข้าไปในตำแหน่งล็อก

## การถอดแบตเตอรี่



เมื่อต้องการถอดแบตเตอรี่แพ็คออก ให้กดปุ่มปลดล็อกแบตเตอรี่และดึงแบตเตอรี่แพ็คออกจากเครื่องมือไฟฟ้าอย่างช้าๆ

แบตเตอรี่แพ็คมีการล็อก 2 ระดับเพื่อป้องกันไม่ให้แบตเตอรี่แพ็คร่วงหลุดออกมาหากกดปุ่มปลดล็อกแบตเตอรี่โดยไม่ตั้งใจ เมื่อแบตเตอรี่ถูกบรรจุอยู่ในเครื่องมือไฟฟ้า สปริงจะยึดแบตเตอรี่ให้เข้าตำแหน่ง

## ไฟแสดงสถานะการชาร์จแบตเตอรี่

**หมายเหตุ:** ไม่ใช้แบตเตอรี่ทุกประเภทที่จะมีไฟแสดงระดับการชาร์จ

ไฟ LED สีเขียวของการแสดงสถานะการชาร์จแบตเตอรี่แสดงสถานะการชาร์จของแบตเตอรี่ ด้วยเหตุผลด้านความปลอดภัยท่านสามารถตรวจสอบสถานะการชาร์จเฉพาะเมื่อเครื่องมือไฟฟ้าหยุดสนิทเท่านั้น

กดปุ่มสำหรับไฟแสดงสถานะการชาร์จแบตเตอรี่  หรือ  เพื่อแสดงสถานะการชาร์จ ท่านสามารถกดได้เมื่อใดถอดแบตเตอรี่ออกแล้ว

หลังจากกดปุ่มสำหรับไฟแสดงสถานะการชาร์จแบตเตอรี่แล้ว ไฟ LED ไม่ติดขึ้น แสดงว่าแบตเตอรี่บกพร่องและต้องเปลี่ยนใหม่

## แบตเตอรี่ชนิด GBA 18V...



LED	ความจุ
ไฟส่องสว่างต่อเนื่อง 3× สีเขียว	60–100 %
ไฟส่องสว่างต่อเนื่อง 2× สีเขียว	30–60 %
ไฟส่องสว่างต่อเนื่อง 1× สีเขียว	5–30 %
ไฟกะพริบ 1× สีเขียว	0–5 %

## แบตเตอรี่ชนิด ProCORE18V...



LED	ความจุ
ไฟส่องสว่างต่อเนื่อง 5× สีเขียว	80–100 %
ไฟส่องสว่างต่อเนื่อง 4× สีเขียว	60–80 %
ไฟส่องสว่างต่อเนื่อง 3× สีเขียว	40–60 %
ไฟส่องสว่างต่อเนื่อง 2× สีเขียว	20–40 %
ไฟส่องสว่างต่อเนื่อง 1× สีเขียว	5–20 %
ไฟกะพริบ 1× สีเขียว	0–5 %

## ข้อแนะนำในการปฏิบัติต่อแบตเตอรี่อย่างเหมาะสมที่สุด

ปกป้องแบตเตอรี่จากความชื้นและน้ำ

เก็บรักษาแบตเตอรี่แพ็คในช่วงอุณหภูมิ -20 °C ถึง 50 °C เท่านั้น อย่าวางแบตเตอรี่แพ็คไว้ในรถยนต์ในช่วงฤดูร้อน

ทำความสะอาดช่องระบายอากาศเป็นครั้งคราวโดยใช้แปรงขนอ่อนที่แห้งและสะอาด

หลังจากชาร์จแบตเตอรี่แล้ว หากแบตเตอรี่แพ็คมีช่วงเวลาทำงานสั้นมาก แสดงว่าแบตเตอรี่แพ็คเสื่อมและต้องเปลี่ยนใหม่

อ่านและปฏิบัติตามข้อสังเกตสำหรับการกำจัดขยะ

## การติดตั้ง

► โปรดถอดแบตเตอรี่แบบชาร์จได้ออกจากเครื่องมือไฟฟ้าก่อนการทำงานทุกประเภทที่เครื่องมือไฟฟ้า (เช่น การบำรุงรักษา การเปลี่ยนเครื่องมือ เป็นต้น) เนื่องจากการลัด

งานสวิตช์เปิด/ปิดโดยไม่ตั้งใจขณะทำงานดังกล่าวอาจก่อให้เกิดความเสี่ยงต่อการบาดเจ็บได้

## การเปลี่ยนเครื่องมือ (ดูภาพประกอบ A)

▶ **โปรดถอดแบตเตอรี่แบบชาร์จได้ออกจากเครื่องมือไฟฟ้าก่อนการทำงานทุกประเภทที่เครื่องมือไฟฟ้า (เช่น การบำรุงรักษา การเปลี่ยนเครื่องมือ เป็นต้น) เนื่องจากการทำงานงานสวิตช์เปิด/ปิดโดยไม่ตั้งใจขณะทำงานดังกล่าวอาจก่อให้เกิดความเสี่ยงต่อการบาดเจ็บได้**

แกนสว่านจะถูกล็อกไว้เมื่อไม่กดสวิตช์เปิด-ปิด (11) ในลักษณะนี้ท่านจะสามารถเปลี่ยนเครื่องมือในหัวจับดอกได้ง่ายเร็ว และสะดวก

เปิดหัวจับดอกกึ่งอัตโนมัติ (2) โดยหมุนไปในทิศทางหมุน ❶ จนสามารถใส่เครื่องมือได้ ใส่เครื่องมือเข้า

ใช้มือหมุนปลอกของหัวจับดอกกึ่งอัตโนมัติ (2) ไปในทิศทางหมุน ❷ เข้าให้แน่น ในลักษณะนี้หัวจับดอกจะถูกล็อกโดยอัตโนมัติ

## การดูดฝุ่น/ซีลื้อย

ฝุ่นที่ได้จากวัสดุ เช่น เคลือบผิวที่มีสารตะกั่ว ไม้ยางประเภทเรซาด และโลหะ อาจเป็นอันตรายต่อสุขภาพ การสัมผัสหรือการหายใจเอาฝุ่นเข้าไปอาจทำให้เกิดปฏิกิริยาแพ้ฝุ่น และ/หรือนำมาซึ่งโรคติดเชื้อระบบหายใจแก่ผู้ใช้เครื่องมือหรือผู้ที่อยู่นอกใกล้เคียง

ฝุ่นบางประเภท เช่น ฝุ่นไม้โอ๊ก หรือไม้บีช นั้นเป็นสารที่ทำให้เกิดมะเร็ง โดยเฉพาะอย่างยิ่งเมื่อผสมกับสารเติมแต่งเพื่อบำบัดไม้ (โครเมต ผลิตภัณฑ์รักษาเนื้อไม้) สำหรับวัสดุที่มีแอสเบสทอสตองใหญ่เขียวขลุ่ยทำงานเท่านั้น

- จัดสถานที่ทำงานให้มีการระบายอากาศที่ดี
- ขอแนะนำให้สวมหน้ากากป้องกันการติดเชื้อที่มีระดับ-ISO กรอง P2

ปฏิบัติตามกฎข้อบังคับสำคัญอื่นๆ ที่เกี่ยวกับวัสดุชิ้นงานที่บังคับใช้ในประเทศของท่าน

▶ **ป้องกันการสะสมของฝุ่นในสถานที่ทำงาน** ฝุ่นสามารถถูกปล่อยอย่างง่ายดาย

## การปฏิบัติงาน

### การเริ่มต้นปฏิบัติงาน

#### การตั้งทิศทางการหมุน (ดูภาพประกอบ B)

ท่านสามารถเปลี่ยนทิศทางการหมุนของเครื่องมือไฟฟ้าได้ด้วยสวิตช์เปลี่ยนทิศทางการหมุน (10) อย่างไรก็ตาม หากสวิตช์เปิด-ปิด (11) ถูกกดอยู่ จะกลับทิศทางการหมุนไม่ได้

**การหมุนทางขวา:** สำหรับการเจาะและการขันสกรูเข้า ให้กดสวิตช์เปลี่ยนทิศทางการหมุน (10) ไปทางซ้ายจนสุด

**การหมุนทางซ้าย:** สำหรับคลายหรือหมุนสกรูและนอตออก ให้กดสวิตช์เปลี่ยนทิศทางการหมุน (10) ไปทางขวาจนสุด

#### การตั้งโหมดทำงาน

##### การเจาะ



#### GSR 18V-50

ตั้งแหวนปรับแรงบิดล่วงหน้า (3) ไว้ที่สัญลักษณ์ “การเจาะ”

#### GSB 18V-50

ตั้งแหวนปรับเลือกโหมดการทำงานล่วงหน้า (4) ไว้ที่สัญลักษณ์ “การเจาะ”

##### การเจาะ



#### GSR 18V-50

ตั้งแหวนตั้งแรงบิดล่วงหน้า (3) ไว้ที่แรงบิดที่ต้องการ

#### GSB 18V-50

ตั้งแหวนปรับเลือกโหมดการทำงานล่วงหน้า (4) ไว้ที่สัญลักษณ์ “การเจาะ”

ตั้งแหวนตั้งแรงบิดล่วงหน้า (3) ไว้ที่แรงบิดที่ต้องการ

##### การเจาะกระแทก



#### GSB 18V-50

ตั้งแหวนปรับเลือกโหมดการทำงานล่วงหน้า (4) ไว้ที่สัญลักษณ์ “การเจาะกระแทก”

##### การเปิด-ปิดเครื่อง

**สตาร์ทเครื่องมือไฟฟ้าโดยกดสวิตช์เปิด-ปิด (11) และกดค้างไว้**

ไฟ LED (9) จะส่องสว่างเมื่อกดสวิตช์เปิด-ปิด (11) เบาๆ หรือเต็มที่ และให้ความสว่างบริเวณทำงานภายใต้สภาพแสงที่ไม่เอื้ออำนวย

**ปิดเครื่องมือไฟฟ้าโดยปล่อยนิ้วจากสวิตช์เปิด-ปิด (11)**

##### การปรับความเร็วรอบ

ท่านสามารถปรับความเร็วรอบของเครื่องมือไฟฟ้าที่เปิดสวิตช์อยู่ได้อย่างต่อเนื่องตามแรงกดมากน้อยบนสวิตช์เปิด-ปิด (11)

การกดสวิตช์เปิด-ปิด (11) เบาๆ จะให้ความเร็วรอบต่ำ การกดสวิตช์แรงยิ่งขึ้นจะให้ความเร็วรอบสูงขึ้น

##### การเลือกแรงบิดล่วงหน้า (ใช้กับโหมดการทำงาน การขันสกรู)

ท่านสามารถเลือกแรงบิดที่ต้องการล่วงหน้าได้ 20 ชั้นด้วยแหวนตั้งแรงบิดล่วงหน้า (3) เครื่องมือจะหยุดทำงานเมื่อถึงแรงบิดที่ตั้งไว้ล่วงหน้า

##### การตั้งเกียร์ ระบบกลไก

▶ **สับสวิตช์ตั้งเกียร์ (5) เมื่อเครื่องหยุดนิ่งอยู่กับที่เท่านั้น เกียร์ 1:**

ความเร็วรอบต่ำ สำหรับการเจาะรูเส้นผ่าศูนย์กลางขนาดใหญ่หรือสำหรับการขันสกรู

**เกียร์ 2:**

ความเร็วรอบสูง สำหรับการเจาะรูเส้นผ่าศูนย์กลางขนาดเล็ก

▶ **ต้นสวิตช์ตั้งเกียร์ไปจนสุดเสมอ** มิฉะนั้นเครื่องอาจชำรุดได้

##### ล็อกแกนด้วยระบบอัตโนมัติทั้งหมด (Auto-lock)

แกนสว่านและด้ามจับเครื่องมือ (1) จะถูกล็อกไว้เมื่อไม่กดสวิตช์เปิด-ปิด (11)



ในลักษณะนี้จะช่วยให้สามารถขันสกรูได้แม้เมื่อแบตเตอรี่หมด (7) หรือใช้เครื่องมือไฟฟ้าเป็นไขควงได้

### ข้อแนะนำในการทำงาน

#### ▶ จับเครื่องมือไฟฟ้าบนสกรูเมื่อเครื่องปิดอยู่เท่านั้น

เครื่องมือที่หมุนอยู่อาจลื่นไถล

ก่อนขันสกรูตัวใหญ่กว่า ยาวกว่า เข้าใจเป็นวัสดุแข็ง ท่านควรเจาะรูนำด้วยเส้นผ่าศูนย์กลางหลักของเกลียวลึกลับประมาณ 2/3 ของความยาวสกรู

ท่านสามารถใช้เครื่องมือช่วยเพื่อถอดดอกไขควงหรือค้ำจับดอกทั่วไปออก

#### เคล็ดลับเพิ่มเติม

ท่านสามารถใช้เคล็ดลับเพิ่มเติม (6) เพื่อแขวนเครื่องมือไฟฟ้า ต.ย. เช่น บนเข็มขัด จากนั้นท่านจะมีมือว่างทั้งสองข้าง และสามารถหยิบจับเครื่องมือไฟฟ้าได้ตลอดเวลา

## การบำรุงรักษาและการบริการ

### การบำรุงรักษาและการทำความสะอาด

▶ **โปรดถอดแบตเตอรี่แบบชาร์จได้ออกจากเครื่องมือไฟฟ้าก่อนการทำงานทุกประเภทที่เครื่องมือไฟฟ้า (เช่น การบำรุงรักษา การเปลี่ยนเครื่องมือ เป็นต้น)** เนื่องจากการทำงานในสวิตช์เปิด/ปิดโดยไม่ได้ตั้งใจขณะทำงานดังกล่าวอาจก่อให้เกิดความเสี่ยงต่อการบาดเจ็บได้

▶ **เพื่อให้ทำงานได้อย่างถูกต้องและปลอดภัย** ต้องรักษาเครื่องและช่องระบายอากาศให้สะอาดอยู่เสมอ

### การบริการหลังการขายและการให้คำปรึกษาการใช้

ศูนย์บริการหลังการขายของเรายินดีตอบคำถามของท่านที่เกี่ยวกับการบำรุงรักษาและการซ่อมแซมผลิตภัณฑ์รวมทั้งเรื่องอะไหล่ ภาพเขียนแบบการประกอบและข้อมูลเกี่ยวกับอะไหล่ กรุณาดูใน: [www.bosch-pt.com](http://www.bosch-pt.com) ที่งานที่ปรึกษาของ บอช ยินดีให้ข้อมูลเกี่ยวกับผลิตภัณฑ์ของเราและอุปกรณ์ประกอบต่างๆ

เมื่อต้องการสอบถามและสั่งซื้ออะไหล่ กรุณาแจ้งหมายเลขสินค้า 10 หลักบนแผ่นป้ายรุ่นของผลิตภัณฑ์ทุกครั้ง

#### ไทย

ไทย บริษัท โรเบิร์ต บอช จำกัด

ออฟฟายโอ เซ็นเตอร์ อาคาร 1 ชั้น 5

เลขที่ 2525 ถนนพระราม 4

แขวงคลองเตย เขตคลองเตย กรุงเทพฯ 10110

โทร: +66 2012 8888

แฟกซ์: +66 2064 5800

[www.bosch.co.th](http://www.bosch.co.th)

ศูนย์บริการซ่อมและฝึกอบรม บอช

อาคาร ลาซาลทาวเวอร์ ชั้น G ห้องเลขที่ 2

บ้านเลขที่ 10/11 หมู่ 16

ถนนศรีนครินทร์ ตำบลบางแก้ว อำเภอบางพลี

จังหวัดสมุทรปราการ 10540

ประเทศไทย

โทรศัพท์ 02 7587555

โทรสาร 02 7587525

### สามารถดูที่อยู่ศูนย์บริการอื่นๆ ได้ที่:

[www.bosch-pt.com/serviceaddresses](http://www.bosch-pt.com/serviceaddresses)

### การขนส่ง

แบตเตอรี่ลิเธียมไอออนที่แนะนำให้ใช้ อยู่นอกภายใต้ข้อกำหนดแห่งกฎหมายสินค้าอันตราย ผู้ใช้สามารถขนส่งแบตเตอรี่แบบชาร์จได้บนเส้นทางถนนโดยไม่มีข้อบังคับเพิ่มเติม

สำหรับการจัดส่งโดยบุคคลที่สาม (เช่น: การขนส่งทางอากาศหรือตัวแทนขนส่งสินค้า) จำเป็นต้องปฏิบัติตามข้อกำหนดพิเศษเกี่ยวกับการบรรจุภัณฑ์และการติดฉลากสำหรับการจัดเตรียมสิ่งของที่จะจัดส่ง จำเป็นต้องปรึกษามูลนิธิวิชาชีพด้านวัตถุอันตราย

ส่งแบตเตอรี่แพ็คเมื่อตัวหุ้มไม่ชำรุดเสียหายเท่านั้น ใช้แถบกาวพันปิดหน้าสัมผัสที่เปิดอยู่ และนำแบตเตอรี่แพ็คใส่กล่องบรรจุโดยไม่ให้เคลื่อนไหวไปมาในกล่องได้ นอกจากนี้ กรุณาปฏิบัติตามกฎระเบียบของประเทศซึ่งอาจมีรายละเอียดเพิ่มเติม

### การกำจัดขยะ



เครื่องมือไฟฟ้า แบตเตอรี่แพ็ค อุปกรณ์ประกอบ และฟิวส์ ทดองน้ำ

ไปแยกประเภทวัสดุเพื่อนำกลับมาใช้ใหม่โดยไม่ทำลายสภาพแวดล้อม

อย่าทิ้งเครื่องมือไฟฟ้าและแบตเตอรี่แพ็ค/แบตเตอรี่ที่นำกลับมาชาร์จใหม่ได้ ลงในขยะบ้าน!

### แบตเตอรี่แพ็ค/แบตเตอรี่:

#### ลิเธียม ไอออน:

กรุณาปฏิบัติตามคำแนะนำในบทการขนส่ง (ดู "การขนส่ง", หน้า 41)

## Bahasa Indonesia

### Petunjuk Keselamatan

#### Petunjuk keselamatan umum untuk perkakas listrik

**PERINGATAN** Baca semua peringatan, petunjuk, ilustrasi, dan spesifikasi

keselamatan yang diberikan bersama perkakas listrik

ini. Kesalahan dalam menjalankan petunjuk di bawah ini dapat mengakibatkan sengatan listrik, kebakaran, dan/atau cedera serius.

**Simpanlah semua peringatan dan petunjuk untuk penggunaan di masa mendatang.**

Istilah "perkakas listrik" dalam peringatan mengacu pada perkakas listrik yang dioperasikan dengan listrik

(menggunakan kabel) atau perkakas listrik yang dioperasikan dengan baterai (tanpa kabel).

#### Keamanan tempat kerja

- ▶ **Jaga kebersihan dan pencahayaan area kerja.** Area yang berantakan atau gelap dapat memicu kecelakaan.
- ▶ **Jangan mengoperasikan perkakas listrik di lingkungan yang dapat memicu ledakan, seperti adanya cairan, gas, atau debu yang mudah terbakar.** Perkakas listrik dapat memancarkan bunga api yang kemudian mengakibatkan debu atau uap terbakar.
- ▶ **Jauhkan dari jangkauan anak-anak dan pengamat saat mengoperasikan perkakas listrik.** Gangguan dapat menyebabkan hilangnya kendali.

#### Keamanan listrik

- ▶ **Steker perkakas listrik harus sesuai dengan stopkontak.** Jangan pernah memodifikasi steker. Jangan menggunakan steker adaptor bersama dengan perkakas listrik yang terhubung dengan sistem grounding. Steker yang tidak dimodifikasi dan stopkontak yang cocok akan mengurangi risiko sengatan listrik.
- ▶ **Hindari kontak badan dengan permukaan yang terhubung dengan sistem grounding, seperti pipa, radiator, kompor, dan lemari es.** Terdapat peningkatan risiko terjadinya sengatan listrik jika badan Anda terhubung dengan sistem grounding.
- ▶ **Perkakas listrik tidak boleh terpapar hujan atau basah.** Air yang masuk ke dalam perkakas listrik menambah risiko terjadinya sengatan listrik.
- ▶ **Jangan menyalahgunakan kabel.** Jangan gunakan kabel untuk membawa, menarik, atau melepas steker perkakas listrik. Jauhkan kabel dari panas, minyak, tepi yang tajam, atau komponen yang bergerak. Kabel listrik yang rusak atau tersangkut menambah risiko terjadinya sengatan listrik.
- ▶ **Saat mengoperasikan perkakas listrik di luar ruangan, gunakan kabel ekstensi yang sesuai untuk penggunaan di luar ruangan.** Penggunaan kabel yang cocok untuk pemakaian di luar ruangan mengurangi risiko terjadinya sengatan listrik.
- ▶ **Jika perkakas listrik memang harus dioperasikan di tempat yang lembap, gunakan pemutus arus listrik residu (RCD).** Penggunaan RCD akan mengurangi risiko terjadinya sengatan listrik.

#### Keselamatan personel

- ▶ **Tetap waspada, perhatikan aktivitas yang sedang dikerjakan dan gunakan akal sehat saat mengoperasikan perkakas listrik.** Jangan gunakan perkakas listrik saat mengalami kelelahan atau di bawah pengaruh narkoba, alkohol, atau obat-obatan. Jika perkakas listrik dioperasikan dengan daya konsentrasi yang rendah, hal tersebut dapat menyebabkan cedera serius.
- ▶ **Gunakan peralatan pelindung diri. Selalu kenakan pelindung mata.** Penggunaan perlengkapan pelindung

seperti penutup telinga, helm, sepatu anti licin, dan masker debu akan mengurangi cedera.

- ▶ **Hindari start yang tidak disengaja. Pastikan switch berada di posisi off sebelum perkakas listrik dihubungkan ke sumber daya listrik dan/atau baterai, diangkat, atau dibawa.** Membawa perkakas listrik dengan jari menempel pada tombol atau perkakas listrik dalam keadaan hidup dapat memicu kecelakaan.
- ▶ **Singkirkan kunci penyetel atau kunci pas sebelum menghidupkan perkakas listrik.** Perkakas atau kunci pas yang masih menempel pada komponen perkakas listrik yang berputar dapat menyebabkan cedera.
- ▶ **Jangan melampaui batas. Berdirilah secara mantap dan selalu jaga keseimbangan.** Hal ini akan memberikan kontrol yang lebih baik terhadap perkakas listrik pada situasi yang tak terduga.
- ▶ **Kenakan pakaian dengan wajar. Jangan mengenakan perhiasan atau pakaian yang longgar. Jauhkan rambut dan pakaian dari komponen yang bergerak.** Pakaian yang longgar, rambut panjang, atau perhiasan dapat tersangkut dalam komponen yang bergerak.
- ▶ **Jika disediakan perangkat untuk sambungan pengisapan debu dan alat pengumpulan, pastikan perangkat tersebut terhubung dan digunakan dengan benar.** Penggunaan alat pengumpulan dapat mengurangi bahaya yang disebabkan oleh debu.
- ▶ **Jangan berpuas diri dan mengabaikan prinsip keselamatan karena terbiasa mengoperasikan perkakas.** Tindakan yang kurang hati-hati dapat mengakibatkan cedera serius dalam waktu sepersekian detik.

#### Penggunaan dan pemeliharaan perkakas listrik

- ▶ **Jangan memaksakan perkakas listrik. Gunakan perkakas listrik yang sesuai untuk pekerjaan yang dilakukan.** Perkakas listrik yang sesuai akan bekerja dengan lebih baik dan aman sesuai tujuan penggunaan.
- ▶ **Jangan gunakan perkakas listrik dengan switch yang tidak dapat dioperasikan.** Perkakas listrik yang switchnya yang tidak berfungsi dapat menimbulkan bahaya dan harus diperbaiki.
- ▶ **Lepaskan steker dari sumber listrik dan/atau lepas baterai, jika dapat dilepaskan dari perkakas listrik sebelum menyetel, mengganti aksesoris, atau menyimpan perkakas listrik.** Tindakan preventif akan mengurangi risiko menghidupkan perkakas listrik secara tidak disengaja.
- ▶ **Jauhkan dan simpan perkakas listrik dari jangkauan anak-anak dan jangan biarkan orang-orang yang tidak mengetahui cara menggunakan perkakas listrik, mengoperasikan perkakas listrik.** Perkakas listrik dapat membahayakan jika digunakan oleh orang-orang yang tidak terlatih.
- ▶ **Lakukan pemeliharaan perkakas listrik dan aksesoris. Periksa komponen yang bergerak apabila tidak lurus atau terikat, kerusakan komponen, dan kondisi lain yang dapat mengganggu pengoperasian perkakas**

**listrik. Apabila rusak, perbaiki perkakas listrik sebelum digunakan.** Kecelakaan sering terjadi karena perkakas listrik tidak dirawat dengan baik.

- ▶ **Jaga ketajaman dan kebersihan alat.** Alat pemotong dengan pisau pemotong yang tajam dan dirawat dengan baik tidak akan mudah tersangkut dan lebih mudah dikendalikan.
- ▶ **Gunakan perkakas listrik, aksesoris, dan komponen perkakas dll sesuai dengan petunjuk ini, dengan mempertimbangkan kondisi kerja dan pekerjaan yang akan dilakukan.** Penggunaan perkakas listrik untuk tujuan berbeda dari fungsinya dapat menyebabkan situasi yang berbahaya.
- ▶ **Jaga gagang dan permukaan genggam agar tetap kering, bersih, dan bebas dari minyak dan lemak.** Gagang dan permukaan genggam yang licin tidak menjamin keamanan kerja dan kontrol alat yang baik pada situasi yang tidak terduga.

#### Penggunaan dan pemeliharaan perkakas baterai

- ▶ **Isi ulang daya hanya dengan pengisi daya yang ditentukan oleh produsen.** Pengisi daya yang sesuai untuk satu jenis set baterai dapat menyebabkan risiko kebakaran apabila digunakan dengan set baterai lain.
- ▶ **Hanya gunakan perkakas listrik dengan set baterai yang dirancang khusus.** Penggunaan set baterai lain dapat menyebabkan risiko cedera dan kebakaran.
- ▶ **Apabila set baterai tidak digunakan, jauhkan dari benda logam lainnya, seperti klip kertas, koin, kunci, paku, sekrup, atau benda logam kecil lainnya yang dapat membuat sambungan dari satu terminal ke terminal lainnya.** Memendekkan terminal baterai dapat menyebabkan kebakaran atau api.
- ▶ **Cairan dapat keluar dari baterai jika baterai tidak digunakan dengan benar; hindari kontak. Jika terjadi kontak secara tidak disengaja, bilas dengan air. Jika cairan mengenai mata, segera hubungi bantuan medis.** Cairan yang keluar dari baterai dapat menyebabkan iritasi atau luka bakar.
- ▶ **Jangan gunakan set baterai atau perkakas yang rusak atau telah dimodifikasi.** Baterai yang rusak atau telah dimodifikasi dapat menimbulkan kejadian yang tak terduga seperti kebakaran, ledakan, atau risiko cedera.
- ▶ **Jangan meletakkan set baterai atau perkakas di dekat api atau suhu tinggi.** Paparan terhadap api atau suhu di atas 130 °C dapat memicu ledakan.
- ▶ **Ikuti semua petunjuk pengisian daya dan jangan mengisi daya set baterai atau perkakas di luar rentang suhu yang ditentukan dalam petunjuk.** Pengisian daya yang tidak tepat atau di luar rentang suhu yang ditentukan dapat merusak baterai dan meningkatkan risiko kebakaran.

#### Servis

- ▶ **Minta teknisi berkualifikasi untuk menyervis perkakas listrik dengan hanya menggunakan suku cadang yang identik.** Dengan demikian, hal ini akan memastikan keamanan perkakas listrik.

- ▶ **Jangan pernah melakukan servis pada baterai yang telah rusak.** Servis baterai hanya boleh dilakukan oleh produsen atau penyedia servis resmi.

### Petunjuk Keselamatan untuk Mesin Bor dan Obeng

#### Petunjuk keselamatan untuk semua pengoperasian

- ▶ **Kenakan pemalut telinga ketika bekerja.** Suara bising alat dapat menyebabkan berkurangnya pendengaran.
- ▶ **Pegang perkakas listrik pada permukaan gagang berisolator saat mengoperasikannya, aksesoris pemotong atau pengunci dapat bersentuhan dengan kabel yang tidak terlihat.** Aksesoris pemotong atau pengunci yang bersentuhan dengan kabel yang dialiri listrik dapat menyebabkan bagian logam perkakas listrik yang terbuka dialiri listrik sehingga pengguna dapat tersengat listrik.

#### Petunjuk keselamatan saat menggunakan mata bor panjang

- ▶ **Jangan pernah mengoperasikan alat dengan kecepatan yang lebih tinggi dari nilai kecepatan maksimal mata bor.** Pada kecepatan yang tinggi, mata bor akan membengkok jika berputar secara bebas tanpa menyentuh benda kerja dan dapat menyebabkan cedera terhadap pengguna.
- ▶ **Selalu hidupkan alat bor pada kecepatan rendah dengan ujung mata bor menyentuh benda kerja.** Pada kecepatan yang tinggi, mata bor akan membengkok jika berputar secara bebas tanpa menyentuh benda kerja dan dapat menyebabkan cedera terhadap pengguna.
- ▶ **Tekan hanya pada garis langsung dengan mata bor dan jangan tekan secara berlebihan.** Mata bor dapat membengkok dan menyebabkan kerusakan atau hilang kendali sehingga menyebabkan cedera terhadap pengguna.

#### Petunjuk Keselamatan tambahan

- ▶ **Pegang perkakas listrik dengan kencang.** Saat mengencangkan dan mengendurkan obeng dapat terjadi reaksi torsi yang tinggi sesaat.
- ▶ **Gunakan alat kerja dengan aman.** Benda yang ditahan dalam alat pemegang atau bais lebih aman daripada benda yang dipegang dengan tangan.
- ▶ **Gunakanlah alat detektor logam yang cocok untuk mencari kabel dan pipa yang tidak terlihat atau hubungi perusahaan pengadaan setempat.** Sentuhan dengan kabel-kabel listrik dapat mengakibatkan api dan kontak listrik. Pipa gas yang dirusak dapat mengakibatkan ledakan. Pipa air yang dirusak mengakibatkan barang-barang menjadi rusak.
- ▶ **Sebelum meletakkan perkakas listrik, tunggulah hingga perkakas berhenti berputar.** Alat kerja dapat tersangkut dan menyebabkan perkakas listrik tidak dapat dikendalikan.
- ▶ **Asap dapat keluar apabila terjadi kerusakan atau penggunaan yang tidak tepat pada baterai. Baterai**

**dapat terbakar atau meledak.** Biarkan udara segar mengalir masuk dan kunjungi dokter apabila mengalami gangguan kesehatan. Asap tersebut dapat mengganggu saluran pernafasan.

- ▶ **Jangan memodifikasi dan membuka baterai.** Terdapat risiko korsleting.
- ▶ **Baterai dapat rusak akibat benda-benda lancip, seperti jarum, obeng, atau tekanan keras dari luar.** Hal ini dapat menyebabkan terjadinya hubungan singkat internal dan baterai dapat terbakar, berasap, meledak, atau mengalami panas berlebih.
- ▶ **Hanya gunakan baterai pada produk dari produsen.** Hanya dengan cara ini, baterai dapat terlindung dari kelebihan muatan.



**Lindungi baterai dari panas, misalnya juga dari paparan sinar matahari dalam waktu yang lama, api, kotoran, air dan kelembapan.** Terdapat risiko ledakan dan korsleting.



- ▶ **Segera matikan perkakas listrik jika alat tambahan terkunci. Bersiaplah dengan reaksi tinggi yang menyebabkan sentakan.** Alat tambahan akan terkunci jika perkakas listrik mengalami kelebihan beban atau perkakas bergerak miring pada benda kerja.

## Spesifikasi produk dan performa



**Bacalah semua petunjuk keselamatan dan petunjuk penggunaan.** Kesalahan dalam menjalankan petunjuk keselamatan dan petunjuk penggunaan dapat mengakibatkan

kontak listrik, kebakaran, dan/atau luka-luka yang berat.

Perhatikan ilustrasi yang terdapat pada sisi sampul panduan pengoperasian.

### Tujuan penggunaan

Perkakas listrik cocok untuk mengencangkan dan melepaskan baut serta untuk pengeboran pada kayu, logam, keramik dan bahan sintesis. Selain itu, GSB cocok untuk pengeboran impact pada batu bata, tembok dan batu.

### Ilustrasi komponen

Penomoran ilustrasi komponen mengacu pada gambar perkakas listrik pada halaman grafis.

- (1) Dudukan alat kerja
  - (2) Keyless chuck
  - (3) Ring untuk penyetelan awal torsi
  - (4) Ring untuk penyetelan awal mode pengoperasian (GSB 18V-50)
  - (5) Switch pemilih tingkat putaran
  - (6) Klip tempat menggantungkan
  - (7) Baterai<sup>a)</sup>
  - (8) Tombol pelepas baterai<sup>a)</sup>
  - (9) Lampu kerja (LED)
  - (10) Switch arah putaran
  - (11) Tombol on/off
  - (12) Holder mata bor<sup>a)</sup>
  - (13) Gagang (permukaan genggam berisolator)
- a) **Aksesori ini tidak termasuk dalam lingkup pengiriman standar.**

### Data teknis

Obeng listrik berdaya baterai		GSR 18V-50	GSB 18V-50
Nomor barang		<b>3 601 JH5 0..</b>	<b>3 601 JH5 1..</b>
Tegangan nominal	V=	18	18
Kecepatan idle <sup>A)</sup>			
- Tingkat putaran pertama	min <sup>-1</sup>	0-460	0-460
- Tingkat putaran kedua	min <sup>-1</sup>	0-1800	0-1800
Tingkat getaran <sup>A)</sup>	min <sup>-1</sup>	-	0-27000
Torsi maks. penyekrupan ketat/lunak <sup>A)</sup>	Nm	50/28	50/28
Diameter pengeboran maks. (tingkat putaran pertama/kedua)			
- Kayu	mm	35	35
- Baja	mm	13	13
- Pengerjaan pada batu bata	mm	-	13
Rentang penjepitan chuck bor	mm	1,5-13	1,5-13
Diameter sekrup maks	mm	10	10
Berat <sup>B)</sup>	kg	1,4-2,4	1,4-2,5
Suhu sekitar yang direkomendasikan saat pengisian daya	°C	0 ... +35	0 ... +35

Obeng listrik berdaya baterai		GSR 18V-50	GSB 18V-50
Suhu sekitar yang diizinkan saat pengoperasian dan saat penyimpanan	°C	-20 ... +50	-20 ... +50
Baterai yang direkomendasikan		GBA 18V... ProCORE18V...	GBA 18V... ProCORE18V...
Perangkat pengisi daya yang direkomendasikan		GAL 18... GAX 18... GAL 36...	GAL 18... GAX 18... GAL 36...

A) diukur pada suhu 20–25 °C dengan baterai **GBA 18V 5.0Ah**

B) tergantung pada baterai yang digunakan

Nilai dapat berbeda-beda bergantung pada produk dan mungkin tunduk pada kondisi lingkungan serta penggunaan. Informasi lebih lanjut pada [www.bosch-professional.com/wac](http://www.bosch-professional.com/wac).

## Baterai

**Bosch** menjual perkakas listrik berdaya baterai bahkan tanpa baterai yang disertakan. Keterangan apakah lingkup pengiriman perkakas listrik termasuk dengan baterai dapat ditemukan di kemasan.

### Mengisi daya baterai

► **Hanya gunakan pengisi daya yang tercantum pada data teknis.** Hanya pengisi daya ini yang sesuai dengan baterai li-ion yang digunakan pada perkakas listrik Anda.

**Catatan:** Baterai lithium-ion dikirim dalam keadaan terisi daya sebagian berdasarkan peraturan transportasi internasional. Untuk menjamin daya penuh dari baterai, isi daya baterai hingga penuh sebelum menggunakannya untuk pertama kali.

### Memasang baterai

Masukkan baterai yang telah terisi daya ke dalam dudukan baterai hingga baterai terkunci.



### Melepas baterai

Untuk melepas baterai, tekan tombol pelepas baterai dan keluarkan baterai. **Jangan melepas baterai dengan paksa.** Baterai memiliki 2 level penguncian untuk mencegah baterai terlepas saat tombol pelepas baterai ditekan secara tidak sengaja. Selama baterai terpasang di dalam perkakas listrik, baterai ditahan posisinya menggunakan pegas.

### Indikator level pengisian daya baterai

Catatan: Tidak semua jenis baterai memiliki indikator level pengisian daya.

LED berwarna hijau dari indikator level pengisian daya baterai menampilkan level pengisian daya baterai. Atas dasar keselamatan, permintaan level pengisian daya baterai hanya dapat dilakukan saat perkakas listrik dalam keadaan berhenti.

Tekan tombol indikator level pengisian daya baterai  atau  untuk menampilkan level pengisian baterai. Hal ini juga dapat dilakukan saat baterai dilepas.

Apabila LED tidak menyala setelah menekan tombol indikator level pengisian daya, terdapat kerusakan pada baterai dan baterai harus diganti.

### Tippe baterai GBA 18V...



LED	Kapasitas
Lampu permanen hijau 3×	60–100%
Lampu permanen hijau 2×	30–60%
Lampu permanen hijau 1×	5–30%
Lampu berkedip hijau 1×	0–5%

### Tippe baterai ProCORE18V...



LED	Kapasitas
Lampu permanen hijau 5×	80–100%
Lampu permanen hijau 4×	60–80%
Lampu permanen hijau 3×	40–60%
Lampu permanen hijau 2×	20–40%
Lampu permanen hijau 1×	5–20%
Lampu berkedip hijau 1×	0–5%

## Petunjuk untuk penanganan baterai yang optimal

Lindungilah baterai dari kelembapan dan air.

Simpan baterai hanya pada rentang suhu antara -20 °C hingga 50 °C. Janganlah meletakkan baterai di dalam mobil, misalnya pada musim panas.

Bersihkanlah lubang ventilasi baterai dengan kuas yang lunak, bersih dan kering secara berkala.

Waktu pengoperasian yang berkurang secara signifikan setelah pengisian daya menunjukkan bahwa baterai telah habis dan perlu diganti.

Perhatikan petunjuk untuk membuang.

## Cara memasang

► **Lepaskan baterai dari perkakas listrik sebelum melakukan pekerjaan apa pun pada perkakas listrik (misalnya perawatan, penggantian alat kerja, dll.).**

Terdapat risiko cedera apabila tombol on/off ditekan secara tidak sengaja.

### Mengganti alat kerja (lihat gambar A)

- **Lepaskan baterai dari perkakas listrik sebelum melakukan pekerjaan apa pun pada perkakas listrik (misalnya perawatan, penggantian alat kerja, dll.).**

Terdapat risiko cedera apabila tombol on/off ditekan secara tidak sengaja.

Spindel bor akan terkunci saat switch on/off **(11)** tidak ditekan. Hal ini memungkinkan penggantian alat-alat kerja di cekaman mata bor secara cepat, nyaman dan mudah.

Buka keyless chuck **(2)** dengan diputar sesuai arah panah ➊ hingga alat sisipan dapat dipasang. Pasang alat.

Putar selongsong keyless chuck **(2)** ke arah putaran ➋ dengan kuat menggunakan tangan. Chuck bor terkunci secara otomatis.

### Ekstraksi debu/serbuk

Debu dari bahan-bahan seperti cat yang mengandung timbel (timah hitam), beberapa jenis kayu, bahan mineral dan logam dapat berbahaya bagi kesehatan. Menyentuh atau menghirup debu-debu ini dapat mengakibatkan reaksi alergi dan/atau penyakit saluran pernapasan pada pengguna atau orang yang berada di dekatnya.

Beberapa debu tertentu seperti debu kayu pohon quercus atau pohon fagus silvatica dianggap dapat mengakibatkan penyakit kanker, terutama dalam campuran dengan bahan-bahan tambahan untuk pengolahan kayu (kromat, obat pengawet kayu). Bahan-bahan yang mengandung asbestos hanya boleh dikerjakan oleh orang-orang yang ahli.

- Perhatikanlah supaya ada pertukaran udara yang baik di tempat kerja.
- Kami anjurkan Anda memakai masker anti debu dengan filter kelas P2.

Taatilah peraturan-peraturan untuk bahan-bahan yang dikerjakan yang berlaku di negara Anda.

- **Hindari debu yang banyak terkumpul di tempat kerja.**

Debu dapat tersulut dengan mudah.

## Penggunaan

### Cara penggunaan

#### Mengatur arah putaran (lihat gambar B)

Arah putaran perkakas listrik dapat diubah dengan switch pengubah arah **(10)**. Hal tersebut tidak dapat dilakukan jika tombol on/off **(11)** ditekan.

**Searah jarum jam:** Untuk mengebor dan menyekrup, tekan switch arah putaran **(10)** ke kiri hingga maksimal.

**Berlawanan arah jarum jam:** Untuk mengendurkan atau melepas sekrup dan mur, tekan switch pengubah arah **(10)** ke kanan hingga maksimal.

#### Mengatur mode pengoperasian

##### Pengeboran



#### GSR 18V-50

Atur ring untuk penyetelan awal torsi **(3)** ke simbol "Pengeboran".

#### GSB 18V-50

Atur ring untuk penyetelan awal mode pengoperasian **(4)** ke simbol "Pengeboran".

#### Penyekrupan



#### GSR 18V-50

Atur ring untuk penyetelan awal torsi **(3)** ke torsi yang diinginkan.

#### GSB 18V-50

Atur ring untuk penyetelan awal mode pengoperasian **(4)** ke simbol "Penyekrupan".  
Atur ring untuk penyetelan awal torsi **(3)** ke torsi yang diinginkan.

#### Pengeboran impact



#### GSB 18V-50

Atur ring untuk penyetelan awal mode pengoperasian **(4)** ke simbol "Pengeboran impact".

#### Mengaktifkan/menonaktifkan

Untuk **menggunakan pertama kali** perkakas listrik, tekan dan tahan tombol on/off **(11)**.

LED **(9)** akan menyala saat tombol on/off **(11)** ditekan singkat atau ditekan kuat dan dapat membantu menerangi area kerja saat kondisi cahaya buruk.

Untuk **menonaktifkan** perkakas listrik, lepaskan tombol on/off **(11)**.

#### Menyetel kecepatan

Kecepatan perkakas listrik yang diaktifkan dapat disetel terus-menerus tergantung seberapa kuat tombol on/off **(11)** ditekan.

Jika tombol on/off **(11)** ditekan singkat dan tidak terlalu kuat, kecepatan putaran akan menjadi rendah. Tekanan yang lebih besar mengakibatkan kecepatan putaran yang lebih tinggi.

#### Penyetelan awal torsi (berlaku untuk mode pengoperasian Penyekrupan)

Dengan menggunakan ring untuk penyetelan awal torsi **(3)**, torsi yang diperlukan dapat dipilih terlebih dahulu dalam 20 level. Alat sisipan segera berhenti begitu torsi yang telah diatur tercapai.

#### Memilih tingkat putaran secara mekanis

- **Tekan switch pemilih tingkat putaran (5) hanya saat perkakas listrik sedang tidak beroperasi.**

#### Tingkat putaran pertama:

Rentang kecepatan putaran rendah; untuk pengerjaan dengan diameter mata bor yang besar atau untuk penyekrupan.

#### Tingkat putaran kedua:

Rentang kecepatan putaran tinggi; untuk pengerjaan dengan diameter mata bor yang kecil.



- ▶ **Selalu geser switch pemilih tingkat putaran hingga maksimal.** Jika tidak, perkakas listrik dapat rusak.

#### Penguncian spindel otomatis (Auto-Lock)

Spindel bor dan dudukan alat kerja (1) akan terkunci apabila tombol on/off (11) tidak ditekan.

Hal ini memungkinkan perkakas listrik dapat digunakan untuk menyekrup bahkan saat baterai (7) kosong atau penggunaan perkakas listrik sebagai obeng.

#### Petunjuk pengoperasian

- ▶ **Pasang perkakas listrik pada sekrup hanya saat dalam keadaan mati.** Alat sisipan yang berputar dapat tergelincir.

Sebelum memutar masuk sekrup yang besar dan panjang ke dalam bahan yang keras, buat lubang bor terlebih dulu dengan diameter inti ulir sekitar 2/3 dari panjang sekrup.

Gunakan alat bantu untuk melepas mata obeng atau dudukan bit universal.

#### Jepitan tempat menggantungkan

Dengan jepitan tempat menggantungkan (6), perkakas listrik dapat digantungkan misalnya pada tali pengikat. Dengan demikian Anda tidak perlu memegang perkakas listrik dan perkakas listrik tetap berada di dekat Anda.

## Perawatan dan servis

#### Perawatan dan pembersihan

- ▶ **Lepaskan baterai dari perkakas listrik sebelum melakukan pekerjaan apa pun pada perkakas listrik (misalnya perawatan, penggantian alat kerja, dll.).** Terdapat risiko cedera apabila tombol on/off ditekan secara tidak sengaja.
- ▶ **Perkakas listrik dan lubang ventilasi harus selalu dibersihkan agar perkakas dapat digunakan dengan baik dan aman.**

#### Layanan pelanggan dan konsultasi penggunaan

Layanan pelanggan Bosch menjawab semua pertanyaan Anda tentang reparasi dan perawatan serta tentang suku cadang produk ini. Gambaran teknis (exploded view) dan informasi mengenai suku cadang dapat ditemukan di:

[www.bosch-pt.com](http://www.bosch-pt.com)

Tim konsultasi penggunaan Bosch akan membantu Anda menjawab pertanyaan seputar produk kami beserta aksesorinya.

Jika Anda hendak menanyakan sesuatu atau memesan suku cadang, selalu sebutkan nomor model yang terdiri dari 10 angka dan tercantum pada label tipe produk.

#### Indonesia

PT Robert Bosch Indonesia  
Arkadia Green Park Tower G – 7th floor  
Jl. Let. Jend. TB. Simatupang Kav. 88  
Jakarta 12520  
Tel.: (021) 3005 5800  
Fax: (021) 3005 5801

E-Mail: [boschpowertools@id.bosch.com](mailto:boschpowertools@id.bosch.com)  
[www.bosch-pt.co.id](http://www.bosch-pt.co.id)

#### Alamat layanan lainnya dapat ditemukan di:

[www.bosch-pt.com/serviceaddresses](http://www.bosch-pt.com/serviceaddresses)

#### Transpor

Baterai li-ion yang direkomendasikan tunduk pada persyaratan terkait peraturan tentang bahan-bahan yang berbahaya. Baterai dapat diangkut di jalan oleh penggunanya tanpa pembatasan lebih lanjut.

Pada pengiriman oleh pihak ketiga (misalnya transportasi udara atau perusahaan ekspedisi), persyaratan terkait pengemasan dan pemberian tanda harus diperhatikan. Dalam hal ini, diperlukan konsultasi dengan ahli bahan-bahan berbahaya saat menyiapkan barang pengiriman. Kirimkan baterai hanya jika housing-nya tidak rusak. Tutup bagian-bagian yang terbuka dan kemas baterai agar tidak bergerak-gerak di dalam kemasan. Taatilah peraturan-peraturan nasional lainnya yang mungkin lebih rinci yang berlaku di negara Anda.

#### Cara membuang



Perkakas listrik, baterai, aksesoris dan kemasan harus didaur ulang dengan cara yang ramah lingkungan.



Jangan membuang perkakas listrik, aki/baterai ke dalam sampah rumah tangga!

#### Baterai:

##### Li-ion:

Perhatikanlah petunjuk-petunjuk dalam bab Transpor (lihat „Transpor“, Halaman 47).

## Tiếng Việt

### Hướng dẫn an toàn

#### Hướng dẫn an toàn chung cho dụng cụ điện

##### ⚠ CẢNH BÁO

**Hãy đọc toàn bộ các cảnh báo an toàn, hướng dẫn, hình ảnh và thông số kỹ thuật được cung cấp cho dụng cụ điện cầm tay này.** Không tuân thủ mọi hướng dẫn được liệt kê dưới đây có thể bị điện giật, gây cháy và/hay bị thương tật nghiêm trọng. **Hãy giữ tất cả tài liệu về cảnh báo và hướng dẫn để tham khảo về sau.**

Thuật ngữ "dụng cụ điện cầm tay" trong phần cảnh báo là để cập đến sự sử dụng dụng cụ điện cầm

tay của bạn, loại sử dụng điện nguồn (có dây cắm điện) hay vận hành bằng pin (không dây cắm điện).

#### Khu vực làm việc an toàn

- ▶ **Giữ nơi làm việc sạch và đủ ánh sáng.** Nơi làm việc bừa bộn và tối tăm dễ gây ra tai nạn.
- ▶ **Không vận hành dụng cụ điện cầm tay trong môi trường dễ gây nổ, chẳng hạn như nơi có chất lỏng dễ cháy, khí đốt hay rác.** Dụng cụ điện cầm tay tạo ra các tia lửa nên có thể làm rác bén cháy hay bốc khói.
- ▶ **Không để trẻ em hay người đến xem đứng gần khi vận hành dụng cụ điện cầm tay.** Sự phân tâm có thể gây ra sự mất điều khiển.

#### An toàn về điện

- ▶ **Phích cắm của dụng cụ điện cầm tay phải thích hợp với ổ cắm.** Không bao giờ được cải biến lại phích cắm dưới mọi hình thức. Không được sử dụng phích tiếp hợp nối tiếp đất (dây mát). Phích cắm nguyên bản và ổ cắm đúng loại sẽ làm giảm nguy cơ bị điện giật.
- ▶ **Tránh không để thân thể tiếp xúc với đất hay các vật có bề mặt tiếp đất như đường ống, lò sưởi, hàng rào và tủ lạnh.** Có nhiều nguy cơ bị điện giật hơn nếu cơ thể bạn bị tiếp hay nối đất.
- ▶ **Không được để dụng cụ điện cầm tay ngoài mưa hay ở tình trạng ẩm ướt.** Nước vào máy sẽ làm tăng nguy cơ bị điện giật.
- ▶ **Không được lạm dụng dây dẫn điện.** Không bao giờ được nắm dây dẫn để xách, kéo hay rút phích cắm dụng cụ điện cầm tay. Không để dây gần nơi có nhiệt độ cao, dầu nhớt, vật nhọn bén và bộ phận chuyển động. Làm hỏng hay cuộn rối dây dẫn làm tăng nguy cơ bị điện giật.
- ▶ **Khi sử dụng dụng cụ điện cầm tay ngoài trời, dùng dây nối thích hợp cho việc sử dụng ngoài trời.** Sử dụng dây nối thích hợp cho việc sử dụng ngoài trời làm giảm nguy cơ bị điện giật.
- ▶ **Nếu việc sử dụng dụng cụ điện cầm tay ở nơi ẩm ướt là không thể tránh được, dùng thiết bị ngắt mạch tự động (RCD) bảo vệ nguồn.** Sử dụng thiết bị ngắt mạch tự động RCD làm giảm nguy cơ bị điện giật.

#### An toàn cá nhân

- ▶ **Hãy tỉnh táo, biết rõ mình đang làm gì và hãy sử dụng ý thức khi vận hành dụng cụ điện cầm tay.** Không sử dụng dụng cụ điện cầm tay khi đang mệt mỏi hay đang bị tác động do chất gây nghiện, rượu hay được phẩm gây ra. Một thoáng mất tập trung khi đang vận hành dụng cụ điện cầm tay có thể gây thương tích nghiêm trọng cho bản thân.
- ▶ **Sử dụng trang bị bảo hộ cá nhân.** Luôn luôn đeo kính bảo vệ mắt. Trang bị bảo hộ như khẩu trang, giày chống trượt, nón bảo hộ, hay dụng cụ bảo vệ tai khi được sử dụng đúng nơi

đúng chỗ sẽ làm giảm nguy cơ thương tật cho bản thân.

- ▶ **Phòng tránh máy khởi động bất ngờ.** Bảo đảm công tắc máy ở vị trí tắt trước khi cắm vào nguồn điện và/hay lắp pin vào, khi nhấc máy lên hay khi mang xách máy. Ngáng ngón tay vào công tắc máy để xách hay kích hoạt dụng cụ điện cầm tay khi công tắc ở vị trí mở dễ dẫn đến tai nạn.
- ▶ **Lấy mọi chìa hay khóa điều chỉnh ra trước khi mở điện dụng cụ điện cầm tay.** Khóa hay chìa còn gắn dính vào bộ phận quay của dụng cụ điện cầm tay có thể gây thương tích cho bản thân.
- ▶ **Không rướn người.** Luôn luôn giữ tư thế đứng thích hợp và thăng bằng. Điều này tạo cho việc điều khiển dụng cụ điện cầm tay tốt hơn trong mọi tình huống bất ngờ.
- ▶ **Trang phục thích hợp.** Không mặc quần áo rộng lung tung hay mang trang sức. Giữ tóc và quần áo xa khỏi các bộ phận chuyển động. Quần áo rộng lung tung, đồ trang sức hay tóc dài có thể bị cuốn vào các bộ phận chuyển động.
- ▶ **Nếu có các thiết bị đi kèm để nối máy hút bụi và các phụ kiện khác, bảo đảm các thiết bị này được nối và sử dụng tốt.** Việc sử dụng các thiết bị gom hút bụi có thể làm giảm các độc hại liên quan đến bụi gây ra.
- ▶ **Không để thói quen do sử dụng thường xuyên dụng cụ khiến bạn trở nên chủ quan và bỏ qua các quy định an toàn dụng cụ.** Một hành vi bất cẩn có thể gây ra thương tích nghiêm trọng chỉ trong tích tắc.

#### Sử dụng và bảo dưỡng dụng cụ điện cầm tay

- ▶ **Không được ép máy.** Sử dụng dụng cụ điện cầm tay đúng loại theo đúng ứng dụng của bạn. Dụng cụ điện cầm tay đúng chức năng sẽ làm việc tốt và an toàn hơn theo đúng tiến độ mà máy được thiết kế.
- ▶ **Không sử dụng dụng cụ điện cầm tay nếu như công tắc không tắt và mở được.** Bất kỳ dụng cụ điện cầm tay nào mà không thể điều khiển được bằng công tắc là nguy hiểm và phải được sửa chữa.
- ▶ **Rút phích cắm ra khỏi nguồn điện và/hay pin ra khỏi dụng cụ điện cầm tay nếu có thể tháo được, trước khi tiến hành bất kỳ điều chỉnh nào, thay phụ kiện, hay cất dụng cụ điện cầm tay.** Các biện pháp ngăn ngừa như vậy làm giảm nguy cơ dụng cụ điện cầm tay khởi động bất ngờ.
- ▶ **Cất giữ dụng cụ điện cầm tay không dùng tới nơi trẻ em không lấy được và không cho người chưa từng biết dụng cụ điện cầm tay hay các hướng dẫn này sử dụng dụng cụ điện cầm tay.** Dụng cụ điện cầm tay nguy hiểm

khi ở trong tay người chưa được chỉ cách sử dụng.

- ▶ **Bảo quản dụng cụ điện cầm tay và các phụ kiện.** Kiểm tra xem các bộ phận chuyển động có bị sai lệch hay kẹt, các bộ phận bị rạn nứt và các tình trạng khác có thể ảnh hưởng đến sự vận hành của máy. Nếu bị hư hỏng, phải sửa chữa máy trước khi sử dụng. Nhiều tai nạn xảy ra do bảo quản dụng cụ điện cầm tay tồi.
- ▶ **Giữ các dụng cụ cất bên và sạch.** Bảo quản đúng cách các dụng cụ cất có cạnh cắt bén làm giảm khả năng bị kẹt và dễ điều khiển hơn.
- ▶ **Sử dụng dụng cụ điện cầm tay, phụ kiện, đầu cài v. v., đúng theo các chỉ dẫn này, hãy lưu ý đến điều kiện làm việc và công việc phải thực hiện.** Sử dụng dụng cụ điện cầm tay khác với mục đích thiết kế có thể tạo nên tình huống nguy hiểm.
- ▶ **Giữ tay cầm và bề mặt nắm luôn khô ráo, sạch sẽ và không dính dầu mỡ.** Tay cầm và bề mặt nắm trơn trượt không đem lại thao tác an toàn và kiểm soát dụng cụ trong các tình huống bất ngờ.

#### Sử dụng và bảo quản dụng cụ dùng pin

- ▶ **Chỉ được sạc pin lại với bộ nạp điện do nhà sản xuất chỉ định.** Bộ nạp điện thích hợp cho một loại pin có thể gây nguy cơ cháy khi sử dụng cho một loại pin khác.
- ▶ **Chỉ sử dụng dụng cụ điện cầm tay với loại pin được thiết kế đặc biệt dành riêng cho máy.** Sử dụng bất cứ loại pin khác có thể dẫn đến thương tật hay cháy.
- ▶ **Khi không sử dụng pin, để cách xa các vật bằng kim loại như kẹp giấy, tiền xu, chìa khoá, đinh, ốc vít hay các đồ vật kim loại nhỏ khác, thứ có thể tạo sự nối tiếp từ một đầu cực với một đầu cực khác.** Sự chập mạch của các đầu cực với nhau có thể gây bỏng hay cháy.
- ▶ **Bảo quản ở tình trạng tồi, dung dịch từ pin có thể tứa ra; tránh tiếp xúc.** Nếu vô tình chạm phải, hãy xối nước để rửa. Nếu dung dịch vào mắt, cần thêm sự hỗ trợ của y tế. Dung dịch tiết ra từ pin có thể gây ngứa hay bỏng.
- ▶ **Không được sử dụng bộ pin hoặc dụng cụ đã bị hư hại hoặc bị thay đổi.** Pin hỏng hoặc bị thay đổi có thể gây ra những tác động không lường trước được như cháy nổ hoặc nguy cơ thương tích.
- ▶ **Không đặt bộ pin hoặc dụng cụ ở gần lửa hoặc nơi quá nhiệt.** Tiếp xúc với lửa hoặc nhiệt độ cao trên 130 °C có thể gây nổ.
- ▶ **Tuân thủ tất cả các hướng dẫn nạp và không nạp bộ pin hay dụng cụ ở bên ngoài phạm vi nhiệt độ đã được quy định trong các hướng dẫn.** Nạp không đúng cách hoặc ở nhiệt độ

ngoài phạm vi nạp đã quy định có thể làm hư hại pin và gia tăng nguy cơ cháy.

#### Bảo dưỡng

- ▶ **Đưa dụng cụ điện cầm tay của bạn đến thợ chuyên môn để bảo dưỡng, chỉ sử dụng phụ tùng đúng chủng loại để thay.** Điều này sẽ đảm bảo sự an toàn của máy được giữ nguyên.
- ▶ **Không bao giờ sửa chữa các bộ pin đã hư hại.** Chỉ cho phép nhà sản xuất hoặc các nhà cung cấp dịch vụ có ủy quyền thực hiện dịch vụ sửa chữa cho các bộ pin.

#### Cảnh Báo An Toàn cho Máy Khoan và BẮT VÍT

##### Hướng dẫn an toàn cho mọi hoạt động

- ▶ **Đeo bảo vệ tai khi khoan động lực.** Tiếp xúc với tiếng ồn có thể làm mất khả năng nghe.
- ▶ **Chỉ cầm dụng cụ điện tại các bề mặt cầm nắm có cách điện, khi thực hiện một thao tác tại vị trí mà phụ kiện cắt hoặc dụng cụ kẹp có thể tiếp xúc với dây điện ngầm.** Phụ kiện cắt hoặc dụng cụ kẹp tiếp xúc với dây "có điện" có thể làm cho các phần kim loại hở của dụng cụ điện cầm tay "có điện" và có thể gây ra điện giật cho người vận hành.

##### Hướng dẫn an toàn khi sử dụng các mũi khoan dài

- ▶ **Không vận hành ở tốc độ cao hơn tốc độ tối đa cho phép của mũi khoan.** Ở tốc độ cao hơn, mũi khoan có thể bị cong nếu cho phép xoay tự do mà không cho tiếp xúc với phôi gia công, dẫn đến thương tích cho người.
- ▶ **Luôn khởi động khoan ở tốc độ thấp và với đầu mũi khoan tiếp xúc với phôi gia công.** Ở tốc độ cao hơn, mũi khoan có thể bị cong nếu cho phép xoay tự do mà không cho tiếp xúc với phôi gia công, dẫn đến thương tích cho người.
- ▶ **Chỉ dùng áp lực vào đường trực tiếp bằng mũi khoan và không dùng áp lực dư.** Các mũi khoan có thể cong, gây ngắt hoặc mất kiểm soát, dẫn đến thương tích cho người.

##### Các cảnh báo phụ thêm

- ▶ **Giữ chặt dụng cụ điện.** Khi siết chặt và nối lỏng các vít, những mô-men phản ứng cao có thể xuất hiện trong thời gian ngắn.
- ▶ **Kẹp chặt vật gia công.** Vật gia công được kẹp bằng một thiết bị kẹp hay bằng ê-tô thì vững chắc hơn giữ bằng tay.
- ▶ **Dùng thiết bị do tìm thích hợp để xác định nếu có các công trình công cộng lắp đặt ngầm trong khu vực làm việc hay liên hệ với Cty công trình công cộng địa phương để nhờ hỗ trợ.** Dụng cụ chạm đường dẫn điện có thể gây ra hỏa hoạn và điện giật. Làm hư hại đường dẫn khi ga có thể gây nổ. Làm thủng ống dẫn nước

có thể làm hư hại tài sản hay có thể gây ra điện giật.

- ▶ **Luôn luôn đợi cho máy hoàn toàn ngừng hẳn trước khi đặt xuống.** Dụng cụ lắp vào máy có thể bị kẹt chặt dẫn đến việc dụng cụ điện cầm tay bị mất điều khiển.
- ▶ **Trong trường hợp pin bị hỏng hay sử dụng sai cách, hơi nước có thể bốc ra. Pin có thể cháy hoặc nổ.** Hãy làm cho thông thoáng khí và trong trường hợp bị đau phải nhờ y tế chữa trị. Hơi nước có thể gây ngứa hệ hô hấp.
- ▶ **Không thay đổi và mở pin.** Nguy cơ bị chập mạch.
- ▶ **Pin có thể bị hư hại bởi các vật dụng nhọn như đinh hay tuốc-nơ-vít hoặc bởi các tác động lực từ bên ngoài.** Nó có thể dẫn tới đoàn mạch nội bộ và làm pin bị cháy, bốc khói, phát nổ hoặc quá nóng.
- ▶ **Chỉ sử dụng pin trong các sản phẩm của nhà sản xuất.** Chỉ bằng cách này, pin sẽ được bảo vệ tránh nguy cơ quá tải.



**Bảo vệ pin không để bị làm nóng, ví dụ, chống để lâu dài dưới ánh nắng gay gắt, lửa, chất bẩn, nước, và sự ẩm ướt.** Có nguy cơ nổ và chập mạch.



- ▶ **Tắt dụng cụ điện ngay nếu phụ tùng bị chặn. Hãy chuẩn bị cho những mô-men phản ứng cao, mà gây ra sự dội ngược.** Phụ tùng bị chặn, nếu dụng cụ điện bị quá tải hoặc bị kẹt trong phôi gia công cần gia công.

## Mô Tả Sản Phẩm và Đặc Tính Kỹ Thuật



**Đọc kỹ mọi cảnh báo an toàn và mọi hướng dẫn.** Không tuân thủ mọi cảnh báo và hướng dẫn được liệt kê dưới đây

### Thông số kỹ thuật

Máy bắt vít pin		GSR 18V-50	GSB 18V-50
Mã số máy		<b>3 601 JH5 0..</b>	<b>3 601 JH5 1..</b>
Điện thế danh định	V=	18	18
Tốc độ không tải <sup>a)</sup>			
– Số 1	/phút	0–460	0–460
– Số 2	/phút	0–1800	0–1800
Tần suất đập <sup>A)</sup>	/phút	–	0–27000
Mô men xoắn tối đa, ứng dụng cho việc bắt vít vào vật cứng/mềm <sup>A)</sup>	Nm	50/28	50/28
Ø lỗ khoan tối đa (1./2. vòng truyền lực)			
– Gỗ	mm	35	35
– Thép	mm	13	13
– Công trình xây gạch	mm	–	13

có thể bị điện giật, gây cháy và / hay bị thương tật nghiêm trọng.

Xin lưu ý các hình minh hoạt trong phần trước của hướng dẫn vận hành.

### Sử dụng đúng cách

Máy được cung cấp dành cho mục đích vặn vào và tháo các vít và đế khoan trên các chất liệu gỗ, kim loại, gốm và nhựa. Ngoài ra, GSB còn phù hợp với khoan xung động nguội, công trình xây gạch và đá.

### Các bộ phận được minh họa

Việc đánh số các thành phần đã minh họa liên quan đến mô tả dụng cụ điện trên trang hình ảnh.

- (1) Phần lắp dụng cụ
- (2) Đầu cặp mũi khoan không chia
- (3) Vòng điều chỉnh chọn trước mô-men xoắn
- (4) Vòng điều chỉnh chọn trước chế độ vận hành (GSB 18V-50)
- (5) Công tắc chọn số
- (6) Móc cài dây thắt lưng
- (7) Pin<sup>a)</sup>
- (8) Nút tháo pin<sup>a)</sup>
- (9) Đèn làm việc (LED)
- (10) Gạc vận chuyển đổi chiều quay
- (11) Công tắc Tắt/Mở
- (12) Ổng cặp mũi khoan<sup>a)</sup>
- (13) Tay nắm (bề mặt nắm cách điện)

a) Phụ kiện này không thuộc phạm vi giao hàng tiêu chuẩn.

Máy bắt vít pin		GSR 18V-50	GSB 18V-50
Phạm vi mâm cặp kẹp được	mm	1,5–13	1,5–13
Ø vít máy tối đa	mm	10	10
Trọng lượng <sup>B)</sup>	kg	1,4–2,4	1,4–2,5
nhiệt độ môi trường được khuyến nghị khi sạc	°C	0 ... +35	0 ... +35
nhiệt độ môi trường cho phép trong quá trình vận hành và trong quá trình lưu trữ	°C	-20 ... +50	-20 ... +50
Pin được khuyến dùng		GBA 18V... ProCORE18V...	GBA 18V... ProCORE18V...
Thiết bị nạp được giới thiệu		GAL 18... GAX 18... GAL 36...	GAL 18... GAX 18... GAL 36...

A) được đo ở 20–25 °C với pin **GBA 18V 5.0Ah**

B) tùy vào loại pin lốc đang sử dụng

Các giá trị có thể khác nhau tùy thuộc vào sản phẩm và tùy thuộc vào ứng dụng và điều kiện môi trường. Xem thêm thông tin chi tiết trên trang [www.bosch-professional.com/wac](http://www.bosch-professional.com/wac).

## Pin

**Bosch** mua dụng cụ điện chạy pin không có pin. Dù pin được bao gồm trong phạm vi giao hàng của dụng cụ điện, bạn có thể tháo bao gi.

## Sạc pin

► **Chỉ sử dụng bộ sạc được đề cập trong dữ liệu kỹ thuật.** Chỉ những bộ sạc này phù hợp cho dụng cụ điện cầm tay của bạn có sử dụng pin Li-Ion.

**Hướng dẫn:** Pin Lithium-ion được giao một phần do các quy định vận tải quốc tế. Để bảo đảm đầy đủ điện dung, nạp điện hoàn toàn lại cho pin trước khi sử dụng cho lần đầu tiên.

## Lắp pin

Hãy đẩy pin đã sạc vào giá gắn pin cho đến khi nó vào khớp.

## Tháo pin ra

Để tháo pin bạn hãy ấn nút mở khóa pin và kéo pin ra. **Không dùng sức.**

Pin có 2 mức khóa, có nhiệm vụ ngăn ngừa pin bị rơi ra do vô ý bấm phải nút tháo pin. Cứ khi nào pin còn được lắp trong dụng cụ điện, nó vẫn được giữ nguyên vị trí nhờ vào một lò xo.

## Đèn báo trạng thái nạp pin

Lưu ý: Không phải mọi loại pin đều có một hiển thị mức sạc.

Các đèn LED màu xanh của màn hình hiển thị tình trạng sạc pin chỉ ra tình trạng sạc của pin. Vì lý do an toàn, ta chỉ có thể kiểm tra trạng thái của tình trạng nạp điện khi máy đã ngừng hoạt động hoàn toàn.

Để hiển thị tình trạng nạp, bạn hãy nhấn nút để hiển thị mức sạc ☺ hoặc ☹. Điều này cũng có thể thực hiện khi ốc quy được tháo ra.

Đèn LED không sáng sau khi nhấn nút để hiển thị mức sạc có nghĩa là pin bị hỏng và phải được thay thế.

### Kiểu pin GBA 18V...



LED	Điện dung
Đèn sáng liên tục 3× màu xanh lá	60–100 %
Đèn sáng liên tục 2× màu xanh lá	30–60 %
Đèn sáng liên tục 1× màu xanh lá	5–30 %
Đèn nhấp nháy 1× màu xanh lá	0–5 %

### Kiểu pin ProCORE18V...



LED	Điện dung
Đèn sáng liên tục 5× màu xanh lá	80–100 %
Đèn sáng liên tục 4× màu xanh lá	60–80 %
Đèn sáng liên tục 3× màu xanh lá	40–60 %
Đèn sáng liên tục 2× màu xanh lá	20–40 %
Đèn sáng liên tục 1× màu xanh lá	5–20 %
Đèn nhấp nháy 1× màu xanh lá	0–5 %

## Các Khuyến Nghị về Cách Bảo Dưỡng Tốt Nhất cho Pin

Bảo vệ pin hợp khối tránh sự ẩm ướt và nước.

Chỉ bảo quản pin trong tầm nhiệt độ nằm giữa -20 °C và 50 °C. Không để pin trong ô tô vào mùa hè.

Thỉnh thoảng làm sạch các khe thông gió của pin bằng cách dùng một cái cọ khô, mềm và sạch.

Sự giám sát đáng kể thời gian hoạt động sau khi nạp điện chỉ rõ rằng pin hợp khối đã hết công dụng và phải được thay.

Quy trình hoạt động được chia ra làm hai giai đoạn.

## Sự lắp vào

- **Trước khi tiến hành bất cứ công việc gì với máy (ví dụ: bảo dưỡng, thay dụng cụ v.v..) tháo pin ra khỏi dụng cụ điện.** Có nguy cơ gây thương tích khi vô tình làm kích hoạt công tắc bật/tắt.

### Thay Dụng Cụ (xem Hình A)

- **Trước khi tiến hành bất cứ công việc gì với máy (ví dụ: bảo dưỡng, thay dụng cụ v.v..) tháo pin ra khỏi dụng cụ điện.** Có nguy cơ gây thương tích khi vô tình làm kích hoạt công tắc bật/tắt.

Khi công tắc Tắt/Mở không được nhấn (11) trực máy khoan sẽ bị khóa. Điều này làm cho việc thay dụng cụ ở mâm cặp được nhanh, tiện lợi và dễ dàng có thể thực hiện được.

Hãy mở mâm cặp mũi khoan tự động (2) bằng cách xoay theo hướng ①, cho đến khi có thể lắp được dụng cụ. Lắp dụng cụ vào.

Hãy xoay bạc lót của đầu cặp mũi khoan không chia (2) vào theo chiều xoay ② của tay thật mạnh. Bằng cách đó, đầu cặp mũi khoan sẽ tự động được khóa.

### Hút Dăm/Bụi

Mạt bụi từ các vật liệu được sơn phủ ngoài có chứa chì trên một số loại gỗ, khoáng vật và kim loại có thể gây nguy hại đến sức khỏe con người. Đụng chạm hay hít thở các bụi này có thể làm người sử dụng hay đứng gần bị dị ứng và/hoặc gây nhiễm trùng hệ hô hấp.

Một số mặt bụi cụ thể, ví dụ như bụi gỗ sợi hay dầu, được xem là chất gây ung thư, đặc biệt là có liên quan đến các chất phụ gia dùng xử lý gỗ (chất cromat, chất bảo quản gỗ). Có thể chỉ nên để thợ chuyên môn gia công các loại vật liệu có chứa amiăng.

- Tạo không khí thông thoáng nơi làm việc.
- Khuyến nghị nên mang mặt nạ phòng độc có bộ lọc cấp P2.

Tuân thủ các quy định của quốc gia bạn liên quan đến loại vật liệu gia công.

- **Tránh không để rác tích tụ tại nơi làm việc.** Rác có thể dễ dàng bắt lửa.

## Vận Hành

### Bắt Đầu Vận Hành

#### Điều chỉnh hướng xoay (xem hình B)

Với gạc vận chuyển đổi chiều quay (10) bạn có thể thay đổi hướng xoay của dụng cụ điện. Tuy nhiên, việc này không thực hiện được khi công tắc Tắt/Mở được nhấn (11).

**Quay phải:** Để khoan hay bắt vít, đẩy gạc vận chuyển đổi chiều quay (10) sang trái đến cỡ chặn.

**Xoay ngược chiều kim đồng hồ:** Để nối lỏng hoặc tháo các vít và đai ốc hãy nhấn gạc vận chuyển đổi chiều quay (10) sang bên phải cho tới cỡ chặn.

#### Điều chỉnh chế độ vận hành

##### Khoan thường



##### GSR 18V-50

Đặt vòng điều chỉnh chọn trước mô-men xoắn (3) lên biểu tượng "Khoan".

##### GSB 18V-50

Đặt vòng điều chỉnh chọn trước chế độ vận hành (4) lên biểu tượng "Khoan".

##### Bắt vít



##### GSR 18V-50

Đặt vòng điều chỉnh chọn trước mô-men xoắn (3) thành mức mô-men xoắn mong muốn.

##### GSB 18V-50

Đặt vòng điều chỉnh chọn trước chế độ vận hành (4) lên biểu tượng "Bắt vít".  
Đặt vòng điều chỉnh chọn trước mô-men xoắn (3) thành mức mô-men xoắn mong muốn.

##### Khoan xung động



##### GSB 18V-50

Đặt vòng điều chỉnh chọn trước chế độ vận hành (4) lên biểu tượng „Khoan xung động“.

##### Bật/tắt

Để **vận hành thử** dụng cụ điện hãy nhấn công tắc Tắt/Mở (11) và nhấn giữ.

Đèn LED (9) bật sáng khi công tắc tắt/mở được nhấn nhẹ hoặc nhấn hết cỡ (11) và cho phép chiếu sáng khu vực làm việc ở các điều kiện chiếu sáng kém.

Để tắt máy, **nhả** công tắc Tắt/Mở (11) ra.

##### Điều chỉnh tốc độ

Bạn có thể điều tiết liên tục số vòng quay của dụng cụ điện đã bật, tùy vào việc bạn nhấn công tắc Tắt/Mở như thế nào (11).

Nhấn nhẹ trên công tắc Tắt/Mở (11) sẽ kích hoạt số vòng quay thấp. Tăng lực nhấn lên công tắc làm tăng tốc độ quay.



### Chọn trước mô-men xoắn (Áp dụng cho chế độ vận hành Các vít)

Với vòng điều chỉnh chọn trước mô-men xoắn (3) bạn có thể chọn trước mô-men xoắn cần thiết ở 20 mức. Nếu đạt tới mô-men xoắn thiết lập, phụ tùng sẽ được dừng lại.

#### Sự chọn lực Truyền động, Cơ học

- Chỉ kích hoạt công tắc chọn vòng truyền động (5) khi dụng cụ điện đã ngừng chạy.

#### Cấp số 1:

Tầm tốc độ thấp; phù hợp làm việc với đường kính khoan lớn hoặc siết ốc vít.

#### Cấp số 2:

Tầm tốc độ cao; phù hợp làm việc với đường kính khoan nhỏ.

- Luôn luôn đưa công tắc chọn số về vị trí dừng. Nếu không, máy có thể bị làm hỏng.

#### Khóa tự động toàn bộ trục (Auto-Lock)

Khi công tắc Tắt/mở không được nhấn (11) trục máy khoan và khe cắm (1) sẽ bị khóa.

Do vậy nên vẫn có thể bắt vít vào, ngay cả khi điện pin (7) đã cạn và cho phép máy được sử dụng như là một tua-vít.

### Hướng Dẫn Sử Dụng

- Chỉ đặt dụng cụ điện lên vít khi nó đã tắt.

Dụng cụ gài đang quay có thể bị tuột ra.

Trước khi bắt một vít lớn, dài hơn bình thường vào vật liệu cứng, nên khoan trước một lỗ mỗi có cùng đường kính răng vít vào sâu vào khoảng 2/3 của chiều dài vít.

Để tháo chia vận vít hoặc ống cặp mũi khoan thông dụng, được phép dùng một dụng cụ hỗ trợ.

#### Móc cài dây thắt lưng

Với móc cài dây thắt lưng (6), bạn có thể treo dụng cụ điện, ví dụ, vào đai lưng. Sau đó bạn sẽ có hai tay tự do và dụng cụ điện sẽ luôn luôn dễ sử dụng.

## Bảo Dưỡng và Bảo Quản

### Bảo Dưỡng Và Làm Sạch

- Trước khi tiến hành bất cứ công việc gì với máy (ví dụ: bảo dưỡng, thay dụng cụ v.v..) tháo pin ra khỏi dụng cụ điện. Có nguy cơ gây thương tích khi vô tình làm kích hoạt công tắc bật/tắt.
- Để được an toàn và máy hoạt động đúng chức năng, luôn luôn giữ máy và các khe thông gió được sạch.

### Dịch vụ hỗ trợ khách hàng và tư vấn sử dụng

Bộ phận phục vụ hàng sau khi bán của chúng tôi trả lời các câu hỏi liên quan đến việc bảo dưỡng và sửa chữa các sản phẩm cũng như phụ tùng thay

thế của bạn. Sơ đồ mô tả và thông tin về phụ tùng thay thế cũng có thể tra cứu theo dưới đây:

**www.bosch-pt.com**

Đội ngũ tư vấn sử dụng của Bosch sẽ giúp bạn giải đáp các thắc mắc về sản phẩm và phụ kiện.

Trong tất cả các phản hồi và đơn đặt phụ tùng, xin vui lòng luôn luôn nhập số hàng hóa 10 chữ số theo nhãn của hàng hóa.

#### Việt Nam

CN CÔNG TY TNHH BOSCH VIỆT NAM TẠI TP.HCM

Tầng 14, Ngôi Nhà Đức, 33 Lê Duẩn

Phường Bến Nghé, Quận 1, Thành Phố Hồ Chí Minh

Tel.: (028) 6258 3690

Fax: (028) 6258 3692 - 6258 3694

Hotline: 1900 9988 50

Email: tuvankhachhang-pt@vn.bosch.com

www.bosch-pt.com.vn

#### Xem thêm địa chỉ dịch vụ tại:

www.bosch-pt.com/serviceaddresses

### Vận chuyển

Pin Li-Ion được khuyến nghị là đối tượng phải tuân theo các quy định của Pháp Luật về Hàng Hóa Nguy Hiểm. Người sử dụng có thể vận chuyển pin hợp khối bằng đường bộ mà không cần thêm yêu cầu nào khác.

Khi được vận chuyển thông qua bên thứ ba (vd. vận chuyển bằng đường hàng không hay đại lý giao nhận), phải tuân theo các yêu cầu đặc biệt về đóng gói và dán nhãn. Phải tham vấn chuyên gia về hàng hóa nguy hiểm khi chuẩn bị gói hàng.

Chỉ gửi pin hợp khối khi vỏ ngoài không bị hư hỏng. Dán băng keo hay che kín các điểm tiếp xúc hở và đóng gói pin hợp khối theo cách sao cho pin không thể xô dịch khi nằm trong bao bì. Ngoài ra, xin vui lòng chấp hành các qui định chi tiết có thể được bổ sung thêm của quốc gia.

### Sự thải bỏ



Dụng cụ điện, pin, phụ kiện và bao bì cần được tái sử dụng theo quy định về môi trường.



Bạn không được ném dụng cụ điện và pin vào thùng rác gia đình!

#### Pin/ác quy:

#### Li-Ion:

Tuân thủ những hướng dẫn trong phần vận chuyển (xem „Vận chuyển“, Trang 53).

مخصص للاستعمال الخارجي من خطر الصدمات الكهربائية.

إن لم يكن بالإمكان تجنب تشغيل العدة الكهربائية في الأجواء الرطبة، فاستخدم مفتاح للوقاية من التيار المتخلف. إن استخدام مفتاح للوقاية من التيار المتخلف يقلل خطر الصدمات الكهربائية.

#### أمان الأشخاص

كن يقظا وانتبه إلى ما تفعله واستخدم العدة الكهربائية بتعقل. لا تستخدم عدة كهربائية عندما تكون متعبا أو عندما تكون تحت تأثير المخدرات أو الكحول أو الأدوية. عدم الانتباه للحظة واحدة عند استخدام العدة الكهربائية قد يؤدي إلى إصابات خطيرة.

قم لارتداء تجهيزات الحماية الشخصية. وارتد دائما نظارات واقية. يحد ارتداء تجهيزات الحماية الشخصية، كقناع الوقاية من الغبار وأحذية الأمان الواقية من الانزلاق والوذ أو واقية الأذنين، حسب ظروف استعمال العدة الكهربائية، من خطر الإصابة بجروح.

تجنب التشغيل بشكل غير مقصود. تأكد من كون العدة الكهربائية مطفاة قبل توصيلها بالتيار الكهربائي و/أو بالمركب، وقبل رفعها أو حملها. إن كنت تضع إصبعك على المفتاح أثناء حمل العدة الكهربائية أو إن وصلت الجهاز بالشبكة الكهربائية بينما لا مفتاح على وضع التشغيل، قد يؤدي إلى وقوع الحوادث.

انزع أداة الضبط أو مفتاح الربط قبل تشغيل العدة الكهربائية. قد تؤدي الأداة أو المفتاح المتواجد في جزء دوار من الجهاز إلى الإصابة بجروح.

تجنب أوضاع الجسم غير الطبيعية. قف بأمان وحافظ على توازنك دائما. سيسمح لك ذلك بالتمكّن في الجهاز بشكل أفضل في الموافف الغير متوقعة.

قم بارتداء ثياب مناسبة. لا ترتد الثياب الفضفاضة أو الحلى. احرص على إبقاء الشعر والملابس بعيدا عن الأجزاء المتحركة. قد تشابك الثياب الفضفاضة والحلى والشعر الطويل بالأجزاء المتحركة.

إن جاز تركيب تجهيزات شفت وتجميع الغبار، فتأكد من أنها موصولة وبأنه يتم استخدامها بشكل سليم. قد يقلل استخدام تجهيزات لشفت الغبار من المخاطر الناتجة عن الغبار.

لا تستخدم العدة الكهربائية بلا مبالاة وتتجاهل قواعد الأمان الخاصة بها نتيجة لتعودك على استخدام العدة الكهربائية وكثرة استخدامها. فقد يتسبب الاستخدام دون حرص في حدوث إصابة بالغة تحدث في أجزاء من الثانية.

حسن معاملة واستخدام العدد الكهربائية

لا تفرط بتحميل الجهاز. استخدم لتنفيذ أشغالك العدة الكهربائية المخصصة لذلك. إنك تعمل بشكل أفضل وأكثر أمنا بواسطة العدة الكهربائية الملائمة في مجال الأداء المذكور.

لا تستخدم العدة الكهربائية إن كان مفتاح تشغيلها تالف. العدة الكهربائية التي لم يعد من

## عربي

### إرشادات الأمان

#### الإرشادات العامة للأمان بالعدد الكهربائية

##### تحذير

اطلع على كافة تحذيرات الأمان والتعليمات والصور والمواصفات المرفقة بالعدة الكهربائية. عدم اتباع التعليمات الواردة أدناه قد يؤدي إلى حدوث صدمة كهربائية، إلى نشوب حريق و/أو الإصابة بجروح خطيرة.

احتفظ بجميع الملاحظات التحذيرية والتعليمات للمستقبل.

يقصد بمصطلح «العدة الكهربائية» المستخدم في الملاحظات التحذيرية، العدد الكهربائية الموصولة بالشبكة الكهربائية (بواسطة كابل الشبكة الكهربائية) وأيضاً العدد الكهربائية المزودة بمركب (دون كابل الشبكة الكهربائية).

#### الأمان بمكان الشغل

حافظ على نظافة مكان شغلك وإضاءته بشكل جيد. الفوضى في مكان الشغل ونطاقات العمل غير المضاة قد تؤدي إلى وقوع الحوادث.

لا تشتغل بالعدة الكهربائية في نطاق معرض لخطر الانفجار مثل الأماكن التي تتوفر فيه السوائل أو الغازات أو الأبخرة القابلة للاشتعال. العدد الكهربائية تولد شررا قد يتطاير، فيشعل الأبخرة والأبخرة.

حافظ على بقاء الأطفال وغيرهم من الأشخاص بعيدا عندما تستعمل العدة الكهربائية. تشتيت الانتباه قد يتسبب في فقدان السيطرة على الجهاز.

#### الأمان الكهربائي

يجب أن يتلائم قابس العدة الكهربائية مع المقبس. لا يجوز تغيير القابس بأي حال من الأحوال. لا تستعمل القوايس المهينة مع العدد الكهربائية المؤرّضة (ذات طرف أرضي). تخفّض القوايس التي لم يتم تغييرها والمقابس الملائمة من خطر الصدمات الكهربائية.

تجنب ملامسة جسمك للأسطح المؤرّضة كالأنابيب والمبردات والمواقد أو التلّاجات. يزداد خطر الصدمات الكهربائية عندما يكون جسمك مؤرّض أو موصول بالأرضي.

أبعد العدة الكهربائية عن الأمطار أو الرطوبة. يزداد خطر الصدمات الكهربائية إن تسرب الماء إلى داخل العدة الكهربائية.

لا تسيّ استعمال الكابل. لا تستخدم الكابل في حمل العدة الكهربائية أو سحبها أو سحب القابس من المقبس. احرص على إبعاد الكابل عن الحرارة والزيت والحواف الحادة أو الأجزاء المتحركة. تزيد الكابلات التالفة أو المتشابكة من خطر الصدمات الكهربائية.

عند استخدام العدة الكهربائية خارج المنزل اقتصر على استخدام كابلات التمديد الصالحة للاستعمال الخارجي. يقلل استعمال كابل تمديد

ذلك. قد يؤدي سائل المرمك المتسرب إلى تهيج البشرة أو إلى الاحتراق.

- ◀ لا تستخدم عدة أو مرمك تعرضاً لأضرار أو للتعديل. البطاريات المتعرضة لأضرار أو لتعديلات قد ينتج عنها أشياء لا يمكن التنبؤ بها، قد تسبب نشوب حريق أو حدوث انفجار أو إصابات.
- ◀ لا تعرض المرمك أو العدة للهب أو لدرجة حرارة زائدة. التعرض للهب أو لدرجة حرارة أعلى من 130 °م قد يتسبب في انفجار.
- ◀ اتبع تعليمات الشحن ولا تقم بشحن المرمك أو العدة خارج نطاق درجة الحرارة المحدد في التعليمات. الشحن بشكل غير صحيح أو في درجات حرارة خارج النطاق المحدد قد يعرض المرمك لأضرار ويزيد من مخاطر الحريق.

#### الخدمة

- ◀ احرص على إصلاح عدتك الكهربائية فقط بواسطة العمال المتخصصين وباستعمال قطع الغيار الأصلية فقط. يضمن ذلك المحافظة على أمان الجهاز.
- ◀ لا تقم بإجراء أعمال خدمة على المراكم التالفة. أعمال الخدمة على المراكم يجب أن تقوم بها الجهة الصانعة فقط أو مقدم الخدمة المعتمد.

### تعليمات الأمان لآلات الثقب ومفكات اللوالب

- تعليمات الأمان لكافة التطبيقات
- ◀ احرص على ارتداء واقبات السمع أثناء الثقب الطرقي. التعرض للضوضاء الناتجة عن ذلك قد يتسبب في فقدان السمع.
- ◀ أمسك العدة الكهربائية من أسطح المسك المعزولة عند القيام بأعمال قد يترتب عليها ملامسة ملحقات القطع أو عناصر التثبيت لأسلاك كهربائية غير ظاهرة. ملامسة ملحقات القطع أو أدوات الربط لسلك «مكهرب» قد يتسبب في مرور التيار في الأجزاء المعدنية من العدة وجعلها مكهربة مما قد يصيب المشغل بصدمة كهربائية.
- تعليمات الأمان عند استخدام ريش ثقب طويلة
- ◀ لا تقم أبداً بالتشغيل بسرعة أعلى من السرعة القصوى المقررة لريشة الثقب. فعلى السرعات العالية ستكون الريشة معرضة للثني في حالة دورانها بشكل حر دون لمس قطعة الشغل، مما قد يؤدي لوقوع إصابات.
- ◀ احرص دائماً على بدء الثقب بسرعة منخفضة بحيث تكون رأس الريشة ملامسة لقطعة الشغل. فعلى السرعات العالية ستكون الريشة معرضة للثني في حالة دورانها بشكل حر دون لمس قطعة الشغل، مما قد يؤدي لوقوع إصابات.
- ◀ لا تضغط إلا على خط واحد مع الريشة، ولا تضغط بشكل زائد. فقد تتنني الريشة، وتتعرض للكسر أو تسبب فقدان السيطرة، مما يؤدي لوقوع إصابات.

- الممكن التحكم بها عن طريق مفتاح التشغيل والإطفاء تعتبر خطيرة ويجب أن يتم إصلاحها.
- ◀ اسحب القابس من المقبس و/أو اخلع المرمك، إذا كان قابلاً للخلع، قبل ضبط الجهاز وقبل استبدال الملحقات أو قبل تخزين الجهاز. تمنع هذه الإجراءات وقائية تشغيل العدة الكهربائية بشكل غير مقصود.
- ◀ احتفظ بالعدد الكهربائية التي لا يتم استخدامها بعيداً عن متناول الأطفال. لا تسمح باستخدام العدة الكهربائية لمن لا خبرة له بها أو لمن لم يقرأ تلك التعليمات. العدد الكهربائي خطيرة إن تم استخدامها من قبل أشخاص دون خبرة.
- ◀ اعتن بالعدة الكهربائية والملحقات بشكل جيد. تأكد أن أجزاء الجهاز المتحركة مركبة بشكل سليم وغير مستعصية عن الحركة، وتفحص ما إن كانت هناك أجزاء مكسورة أو في حالة تؤثر على سلامة أداء العدة الكهربائية. ينبغي إصلاح هذه الأجزاء التالفة قبل إعادة تشغيل الجهاز. الكثير من الحوادث مصدرها العدد الكهربائية التي تتم صيانتها بشكل رديء.
- ◀ احرص على إبقاء عدد القطع نظيفة وحادة. إن عدد القطع ذات حواف القطع المادة التي تم صيانتها بعناية تتكلم بشكل أقل ويمكن توجيهها بشكل أيسر.
- ◀ استخدم العدد الكهربائية والتوابع وريش الشغل إلخ. وفقاً لهذه التعليمات. تراعى أثناء ذلك ظروف الشغل والعمل المراد تنفيذه. استخدام العدد الكهربائية لغير الأشغال المخصصة لأجلها قد يؤدي إلى حدوث الحلات الخطيرة.
- ◀ احرص على إبقاء المقابض وأسطح المسك جافة ونظيفة وخالية من الزيوت والشحوم. المقابض وأسطح المسك الزلقة لا تتبع التشغيل والتحكم الأمان في العدة في المواقف غير المتوقعة.
- حسن معاملة واستخدام العدد المزودة بمرمك
- ◀ اشحن المراكم فقط في أجهزة الشحن التي يُصنع باستخدامها من طرف المنتج. قد يتسبب جهاز الشحن المخصصة لنوع معين من المراكم في خطر الحريق إن تم استخدامه مع نوع آخر من المراكم.
- ◀ استخدم العدد الكهربائية فقط مع المراكم المصممة لهذا الغرض. قد يؤدي استخدام المراكم الأخرى إلى إصابات وإلى خطر نشوب الحرائق.
- ◀ حافظ على إبعاد المرمك الذي لا يتم استعماله عن مشابك الورق وقطع النقود المعدنية والمفاتيح والمسامير واللوالب أو غيرها من الأغراض المعدنية الصغيرة التي قد تقوم بتوصيل الملامسين ببعضهما البعض. قد يؤدي تقصير الدارة الكهربائية بين ملامسي المرمك إلى الاحتراق أو إلى اندلاع النار.
- ◀ قد يتسرب السائل من المرمك في حالة سوء الاستعمال. تجنب ملامسته. اشطفه بالماء في حال ملامسته بشكل غير مقصود. إن وصل السائل إلى العينين، فراجع الطبيب إضافة إلى

**صدمة ارتدادية.** تنحصر عدة الشغل عندما يتم التحميل بشكل زائد على العدة الكهربائية أو إذا انقطعت في قطعة الشغل التي تعمل عليها.

## وصف المنتج والأداء

**اقرأ جميع إرشادات الأمان والتعليمات.** ارتكاب الأخطاء عند تطبيق إرشادات الأمان والتعليمات، قد يؤدي إلى حدوث صدمات كهربائية أو إلى نشوب الحرائق و/أو الإصابة بجروح خطيرة.



يرجى الرجوع إلى الصور الموجودة في الجزء الأول من دليل التشغيل.

## الاستعمال المخصص

العدة الكهربائية مخصصة لربط وحل اللوالب بالإضافة إلى الثقب في الخشب والمعدن والسيراميك واللدائن. العدة الكهربائية GSB مخصصة بالإضافة إلى ذلك للثقب الطرقي في الطوب والجدران والحجر.

## الأجزاء المصورة

يشير ترقيم الأجزاء المصورة إلى الصورة المعروضة للعدة الكهربائية في صفحة الرسوم.

- (1) حاضن العدة
  - (2) طرف ريش الثقب سريع الشد
  - (3) طارة ضبط اختيار عزم الدوران مسبقاً
  - (4) طارة ضبط اختيار نوع التشغيل مسبقاً (GSB 18V-50)
  - (5) مفتاح اختيار ترس السرعة
  - (6) مشبك حزام
  - (7) المرمك<sup>(a)</sup>
  - (8) زر فك إقفال المرمك<sup>(a)</sup>
  - (9) ضوء العمل (LED)
  - (10) مفتاح تحويل اتجاه الدوران
  - (11) مفتاح التشغيل والإطفاء
  - (12) مثبت لقم<sup>(a)</sup>
  - (13) مقبض (سطح قبض معزول)
- (a) إن هذه التوابع ليست محتواة ضمن إطار التوريد الاعتيادي.

## إرشادات الأمان الإضافية

◀ **أمسك بالعدة الكهربائية بإحكام.** قد تشكل عزم رد فعل عالية لوهلة قصيرة عند إحكام شد وحل اللوالب.

◀ **احرص على تأمين قطعة الشغل.** قطعة الشغل المثبتة بواسطة تجهيزة شد أو بواسطة الملزمة مثبتة بأمان أكبر مما لو تم الإمساك بها بواسطة يدك.

◀ **استخدم أجهزة تنقيب ملائمة للعثور على خطوط الامداد غير الظاهرة، أو استعن بشركة الامداد المحلية.** ملامسة الخطوط الكهربائية قد تؤدي إلى اندلاع النار وإلى الصدمات الكهربائية. حدوث أضرار بغط الغاز قد يؤدي إلى حدوث انفجارات. اختراق خط الماء يتسبب في وقوع أضرار مادية.

◀ **انتظر إلى أن تتوقف العدة الكهربائية عن الحركة قبل أن تضعها جانباً.** قد تتكلم عدة الشغل فتؤدي إلى فقدان السيطرة على العدة الكهربائية.

◀ **قد تنطلق أبخرة عند تلف المرمك واستخدامه بطريقة غير ملائمة.** يمكن أن يحترق المرمك أو يتعرض للانفجار. أمن توفير الهواء النقي وراجع الطبيب إن شعرت بشكوى. قد تهيج هذه الأبخرة المجاري التنفسية.

◀ **لا تقم بتعديل المرمك أو فتحه.** يتشكل خطر حدوث قفلة كهربائية.

◀ **يمكن أن يتعرض المرمك لأضرار من خلال الأشياء المدببة مثل المسامير والمفكات أو من خلال تأثير القوى الخارجية.** وقد يؤدي هذا إلى تقصير الدائرة الكهربائية الداخلية واحترق المرمك أو خروج الأدخنة منه أو انفجاره وتعرضه لسخونة مفرطة.

◀ **اقتصر على استخدام المرمك في منتجات الجهة الصانعة.** يتم حماية المرمك من فطرت التحميل الخطير بهذه الطريقة فقط دون غيرها.

◀ **احرص على حماية المرمك من الحرارة، بما ذلك التعرض لأشعة الشمس باستمرار ومن النار والانساخ والماء والرطوبة.** حيث ينشأ خطر الانفجار وخطر حدوث دائرة قصر.

◀ **أوقف العدة الكهربائية على الفور في حالة تعرض عدة الشغل للانحصار. كن مستعداً لمواجهة عزم رد الفعل العالية، والتي تسبب**





## البيانات الفنية

المفك الآلي الثقاب العامل بمرمك		رقم الصنف	
GSB 18V-50	GSR 18V-50	3 601 JH5 1..	3 601 JH5 0..
18	18	فلط =	
الجهد الاسمي			
السرعة بدون حمل <sup>(A)</sup>			
460-0	460-0	لفة/دقيقة	- السرعة الأولى
1800-0	1800-0	لفة/دقيقة	- السرعة الثانية
27000-0	-	min <sup>-1</sup>	عدد الطرقات <sup>(A)</sup>
28 / 50	28 / 50	نيوتن متر	عزم الدوران الأقصى في حالة ربط لوالب قاسية/لين <sup>(A)</sup>

GSB 18V-50	GSR 18V-50	المفك الآلي الثقاب العامل بمركم أقصى قطر ثقب (السرعة الأولى/الثانية)	
35	35	مم	- خشب
13	13	مم	- فولاذ
13	-	مم	- الجدران
13-1,5	13-1,5	مم	نطاق شد ظرف المثقاب
10	10	مم	القطر الأقصى للوالب
2,5-1,4	2,4-1,4	كجم	الوزن <sup>(B)</sup>
35+ ... 0	35+ ... 0	°م	درجة الحرارة المحيطة الموصى بها عند الشحن
50+ ... 20-	50+ ... 20-	°م	درجة الحرارة المحيطة المسموع بها عند التشغيل وعند التخزين
GBA 18V... ProCORE18V...	GBA 18V... ProCORE18V...		المراكم الموصى بها
GAL 18... GAX 18... GAL 36...	GAL 18... GAX 18... GAL 36...		أجهزة الشحن الموصى بها

(A) مقاسة عند درجة حرارة 25-20 °م مع مركم **GBA 18V 5.0Ah**  
(B) حسب المركم المستخدم

قد تختلف القيم حسب المنتج وظروف الاستخدام والبيئة. المزيد من المعلومات على موقع الإنترنت [www.bosch-professional.com/wac](http://www.bosch-professional.com/wac)

تشير مصابيح الدايمود الخضراء الخاصة بمبين حالة شحن المركم لمالة شحن المركم. لأسباب تتعلق بالسلامة فإنه لا يمكن الاستعلام عن حالة الشحن إلا والعدة الكهربائية متوقفة.  
اضغط على زر مبين حالة الشحن  أو  لعرض حالة الشحن. يمكن هذا أيضا والمركم مخرج.  
إذا لم يضيء أي مصباح دايمود بعد الضغط على زر مبين حالة الشحن، فهذا يعني أن المركم تالف ويجب تغييره.

#### نوع المركم GBA 18V...



السعة	لمبة LED
100-60 %	ضوء مستمر ×3 أخضر
60-30 %	ضوء مستمر ×2 أخضر
30-5 %	ضوء مستمر ×1 أخضر
5-0 %	ضوء وماض ×1 أخضر

#### نوع المركم ProCORE18V...



السعة	لمبة LED
100-80 %	ضوء مستمر ×5 أخضر
80-60 %	ضوء مستمر ×4 أخضر
60-40 %	ضوء مستمر ×3 أخضر
40-20 %	ضوء مستمر ×2 أخضر
20-5 %	ضوء مستمر ×1 أخضر
5-0 %	ضوء وماض ×1 أخضر

## مركم

تبيع شركة **Bosch** العدد الكهربائية العاملة بمركم دون مركم أيضًا. يمكنك أن تعرف من العبوة ما إذا كان المركم موجود ضمن مجموعة التجهيزات الموردة مع العدة الكهربائية الخاصة بك.

## شحن المركم

◀ **اقتصر على استخدام أجهزة الشحن المذكورة في المواصفات الفنية.** أجهزة الشحن هذه دون غيرها هي المتوائمة مع مركم أيونات الليثيوم المستخدم في عدتك الكهربائية.

**ملحوظة:** يتم تسليم مراكم أيونات الليثيوم مشحونة جزئيًا وفقًا للوائح النقل الدولية. لضمان قدرة أداء المركم الكاملة، يتوجب شحن المركم بشكل كامل قبل الاستعمال لأول مرة.

## تركيب المركم

أدخل المركم المشحون في موضع تثبيت المركم إلى أن يثبت بشكل ملموس.

## نزع المركم

لخلع المركم اضغط على زر تحرير المركم وأخرج المركم. **لا تستخدم القوة أثناء ذلك.**

يمتاز المركم بدرجتي إقفال اثنتين، تمنعان سقوط المركم للخارج في حال ضغط زر فك إقفال المركم بشكل غير مقصود. يتم تثبيت المركم بواسطة نابض ما دام مركبًا في العدة الكهربائية.

## مبين حالة شحن المركم

ملحوظة: ليست كل أنواع المراكم تحتوي على مبين حالة شحن.

◀ تجنب تراكم الغبار بمكان العمل. يجوز أن تشتعل الأغبرة بسهولة.

## التشغيل

### بدء التشغيل

#### ضبط اتجاه الدوران (انظر الصورة B)

يمكنك أن تغير اتجاه دوران العدة الكهربائية (10) بواسطة مفتاح تغيير اتجاه الدوران. إلا أنه لا يمكن تغييره عندما يكون مفتاح التشغيل والإطفاء (11) مضغوطاً.

**دوران يميني:** للثقب ولربط اللوالب، اضغط على مفتاح تحويل اتجاه الدوران (10) إلى اليسار حتى النهاية.

**دوران إلى اليسار:** لمل أو فك اللوالب والصواميل اضغط مفتاح تغيير اتجاه الدوران (10) إلى اليمين حتى المصدر.

### ضبط نوع التشغيل

#### الثقب

##### GSR 18V-50

اضبط طارة ضبط الاختيار المسبق لعزم الدوران (3) على رمز «الثقب».

##### GSB 18V-50

اضبط طارة ضبط الاختيار المسبق لنوع التشغيل (4) على رمز «الثقب».

#### ربط اللوالب

##### GSR 18V-50

اضبط طارة ضبط الاختيار المسبق لعزم الدوران (3) على عزم الدوران المرغوب.

##### GSB 18V-50

اضبط طارة ضبط الاختيار المسبق لنوع التشغيل (4) رمز «ربط اللوالب».

اضبط طارة ضبط الاختيار المسبق لعزم الدوران (3) على عزم الدوران المرغوب.

### الثقب المرفق بالطرق

##### GSB 18V-50

اضبط حلقة ضبط الاختيار المسبق لنوع التشغيل (4) على الرمز «الثقب المرفق بالطرق».

### التشغيل والإطفاء

لغرض تشغيل العدة الكهربائية اضغط على مفتاح التشغيل والإطفاء (11) وحافظ على إبقائه مضغوطاً. يضيء المصباح (9) LED عند الضغط على مفتاح التشغيل والإطفاء (11) بشكل جزئي أو كامل ويسمع بإضاءة مكان الشغل إن كانت ظروف الإضاءة غير ملائمة.

لغرض إطفاء العدة الكهربائية اترك مفتاح التشغيل والإطفاء (11).

### ضبط عدد الدوران

يمكنك أن تتحكم بعدد دوران العدة الكهربائية قيد التشغيل دون تدريب، حسب مدى الضغط على مفتاح التشغيل والإطفاء (11).

## ملاحظات للتعامل مع المركم بطريقة مثالية

قم بحماية المركم من الرطوبة والماء. لا تقم بتخزين المركم إلا في نطاق درجة حرارة يقع بين -20°م وحتى 50°م. لا تترك المركم في السيارة في فصل الصيف مثلاً.

نظف فتحات التهوية بالمركم من فترة لأخرى، بواسطة فرشاة طرية ونظيفة وجافة.

إذا انخفضت فترة التشغيل بعد الشمن بدرجة كبيرة فهذا يعني أن المركم قد استهلك وأنه يجب استبداله.

تراعي الإرشادات عند التخلص من العدد.

## التركيب

◀ أخرج المركم من العدة الكهربائية قبل إجراء أي أعمال على العدة الكهربائية (على سبيل المثال الصيانة، واستبدال العدد، وما شابه). هناك خطر إصابة بجروح في حالة الضغط على مفتاح التشغيل والإطفاء بشكل غير مقصود.

### استبدال العدد (انظر الصورة A)

◀ أخرج المركم من العدة الكهربائية قبل إجراء أي أعمال على العدة الكهربائية (على سبيل المثال الصيانة، واستبدال العدد، وما شابه). هناك خطر إصابة بجروح في حالة الضغط على مفتاح التشغيل والإطفاء بشكل غير مقصود.

عند عدم الضغط على مفتاح التشغيل والإطفاء (11) يتم تثبيت محور دوران المثقاب. يسمح ذلك باستبدال عدة الشغل بطرف المثقاب بشكل سريع ومريح وبسيط.

افتح طرف ريش الثقب سريع الربط (2) من خلال إدارته في اتجاه دوران 1، إلى أن تتمكن من تلميم العدة. قم بتركيب العدة.

أغلق جلبه طرف ريش الثقب سريع الربط (2) بإدارتها في الاتجاه 2 يدويا بقوة. يتم تأمين قفل طرف ريش الثقب بذلك أوتوماتيكياً.

### شغط الغبار/النشارة

إن أغبرة بعض المواد كالماء الذي يحتوي على الرصاص، وبعض أنواع الخشب والفولاذ والمعادن، قد تكون مضرّة بالصحة. إن ملامسة أو استنشاق الأغبرة قد يؤدي إلى ردود فعل زائدة الحساسية و/أو إلى أمراض المجاري التنفسية لدى المستخدم أو لدى الأشخاص المتواجدين على مقربة من المكان.

تعتبر بعض الأغبرة المعينة، كأغبرة البلوط والزان من مسببات السرطان، وبالأخص عند اتصالها بالمواد الإضافية الخاصة بمعالجة الخشب (ملح حامض الكروميك، المواد الحافظة للخشب). يجوز أن يتم معالجة المواد التي تحتوي على الأسبستوس من قبل العمال المتخصصين فقط دون غيرهم.

- حافظ على تهوية مكان الشغل بشكل جيد.

- ينصح بارتداء قناع وقاية للتنفس من فئة المرشح P2.

تراعي الأحكام السارية في بلدكم بالنسبة للمواد المرغوب معالجتها.



## خدمة العملاء واستشارات الاستخدام

يجيب مركز خدمة الزبائن على أسئلتكم بصدق وتصيغ وصيانة المنتج وأيضاً بما يخص قطع الغيار. ستجد الرسوم الممددة والمعلومات عن قطع الغيار بموقع: [www.bosch-pt.com](http://www.bosch-pt.com)  
يسر فريق استشارات الاستخدام لدى شركة بوش أن يقدم لك العون إذا كان لديك أية استفسارات بخصوص منتجاتنا وملحقاتها التكميلية.  
يلزم ذكر رقم الصنف ذو الفئات العشر وفقاً للوحة صنع المنتج عند إرسال أية استفسارات أو طلبيات قطع غيار.

### المغرب

Robert Bosch Morocco SARL  
53, شارع الملازم محمد محروود  
20300 الدار البيضاء  
الهاتف: 27 43 29 31 +212  
البريد الإلكتروني: [sav.outillage@ma.bosch.com](mailto:sav.outillage@ma.bosch.com)

### تجد عناوين أخرى للخدمات تحت:

[www.bosch-pt.com/serviceaddresses](http://www.bosch-pt.com/serviceaddresses)

## النقل

تضع مراكم أيونات الليثيوم المنصوح بها لأحكام قانون المواد الخطرة. يمكن للمستخدم أن ينقلها على الشوارع العامة دون أي شروط إضافية.  
عند النقل بواسطة أطراف ثالثة (مثلاً: الشحن الجوي أو شركة شحن)، يتوجب التقيد بشروط خاصة بصدق التغليف والتعليم. ينبغي استشارة خبير بنقل المواد الخطرة عند تحضير الطرد في هذه الحالة.  
استخدم المراكم فقط إن كان هيكلها سليم. الصق الملامسات المكشوفة وغلف المرمك بحيث لا يتحرك في الطرد. يرجى مراعاة الأحكام الوطنية الإضافية إن وجدت.

## التخلص من العدة الكهربائية

يجب التخلص من العدة الكهربائية والمرمك والتوابع والتغليف بطريقة صديقة للبيئة عن طريق النفايات القابلة لإعادة التصنيع.  
لا تلق العدة الكهربائية والمراكم/البطاريات ضمن النفايات المنزلية!



### المراكم/البطاريات:

### مراكم أيونات الليثيوم:

يرجى مراعاة الإرشادات الواردة في جزء النقل (انظر „النقل“، الصفحة 59).

يؤدي الضغط الخفيف على مفتاح التشغيل والإطفاء (11) إلى عدد لفات منخفض. يزداد عدد اللفات بزيادة الضغط.

## الاختيار المسبق لعزم الدوران (يسري على نوع التشغيل ربط اللولب)

تسمع لك حلقة ضبط اختبار عزم الدوران مسبقاً (3) بضبط عزم الدوران المطلوب على 20 درجة بشكل مسبق. بمجرد الوصول إلى عزم الدوران المضبوط يتم إيقاف عدة الشغل.

### اختيار ترس السرعة يدويا

◀ اضبط مفتاح اختيار ترس السرعة (5) فقط عندما تكون العدة الكهربائية متوقفة عن الحركة.

### السرعة الأولى:

مجال عدد دوران منخفض، للشغل بقطر تثقيب كبير أو لربط اللولب.

### السرعة الثانية:

مجال عدد لفات مرتفع للعلم بقطر ثقب صغير.

◀ ادفع مفتاح اختيار ترس السرعة دائماً إلى حد التصادم. وإلا، فقد تتعرض العدة الكهربائية للضرر.

## تلقائي قفل) تثبيت آلي كامل لمحور الدوران

عندما يكون مفتاح التشغيل والإطفاء (11) غير مضغوط يتم تثبيت محور دوران المثقاب وبالتالي حاضن العدة (1).

ويسمع ذلك بربط اللولب حتى لو كان المرمك فارغاً (7) أو باستخدام العدة الكهربائية بمثابة مفك براغي اعتيادي.

## إرشادات العمل

◀ ضع العدة الكهربائية على اللولب فقط عندما تكون مطفاة. قد تنزلق عدد الشغل الدوارة.

قبل ربط اللولب الكبيرة الطويلة في الفئات القاسية، ينصح بإجراء ثقب تمهيدي بقطر لبّ اللولب وبمقدار 2/3 طول اللولب.  
لفك لقمة مفك البراغي أو حامل اللقم العام بجوز استخدام أداة مساعدة.

### مشبك حزام

يمكنك أن تشبك العدة الكهربائية بواسطة مشبك الحزام (6) على الحزام مثلاً. وبذلك ستكون يداك فارغتان والعدة الكهربائية تحت تصرفك دائماً.

## الصيانة والخدمة

### الصيانة والتنظيف

◀ أخرج المرمك من العدة الكهربائية قبل إجراء أي أعمال على العدة الكهربائية (على سبيل المثال الصيانة، واستبدال العدد، وما شابه).

هناك خطر إصابة بجروح في حالة الضغط على مفتاح التشغيل والإطفاء بشكل غير مقصود.

◀ حافظ على نظافة العدة الكهربائية وشقوق التهوية لكي تعمل بشكل جيد وآمن.

مناسب برای محیط باز، خطر برق گرفتگی را کم می کنند.

◀ در صورت لزوم کار با ابزار برقی در محیط و اماکن مرطوب، باید از یک کلید حفاظتی جریان خطا و نشستی زمین (کلید قطع کننده اتصال با زمین) استفاده کنید. استفاده از کلید حفاظتی جریان خطا و نشستی زمین خطر برق گرفتگی را کاهش می دهد.

#### رعایت ایمنی اشخاص

◀ حواس خود را خوب جمع کنید، به کار خود دقت کنید و با فکر و هوشیاری کامل با ابزار برقی کار کنید. در صورت خستگی و یا در صورتی که مواد مخدر، الکل و دارو استفاده کرده‌اید، با ابزار برقی کار نکنید. یک لحظه بی توجهی هنگام کار با ابزار برقی، میتواند جراثم های شدیدی به همراه داشته باشد.

◀ از تجهیزات ایمنی شخصی استفاده کنید. همواره از عینک ایمنی استفاده نمایید.

استفاده از تجهیزات ایمنی مانند ماسک ضد گرد و غبار، کفشهای ایمنی ضد لغزش، کلاه ایمنی و گوشی محافظ متناسب با نوع کار با ابزار برقی، خطر مجروح شدن را کاهش میدهد.

◀ مواظب باشید که ابزار برقی بطور ناخواسته بکار نیفتد. قبل از وارد کردن دوشاخه دستگاه در پریز برق، اتصال آن به باتری، برداشتن آن و یا حمل دستگاه، باید دقت کنید که ابزار برقی خاموش باشد. در صورتی که هنگام حمل دستگاه انگشت شما روی دکمه قطع و وصل باشد و یا دستگاه را در حالت روشن به برق بزنید، ممکن است سوانح کاری پیش آید.

◀ قبل از روشن کردن ابزار برقی، همه ابزارهای تنظیم کننده و آچارها را از روی دستگاه بردارید. ابزار و آچارهایی که روی بخش های چرخنده دستگاه قرار دارند، میتوانند باعث ایجاد جراثم شوند.

◀ وضعیت بدن شما باید در حالت عادی قرار داشته باشد. برای کار جای مطمئنی برای خود انتخاب کرده و تعادل خود را همواره حفظ کنید. به این ترتیب میتوانید ابزار برقی را در وضعیتهای غیر منظره بهتر تحت کنترل داشته باشید.

◀ لباس مناسب بپوشید. از پوشیدن لباسهای گشاد و حمل زینت آلات خودداری کنید. موها و لباس خود را از بخشهای در حال چرخش دستگاه دور نگه دارید. لباسهای گشاد، موی بلند و زینت آلات ممکن است در قسمتهای در حال چرخش دستگاه گیر کنند.

◀ در صورتی که تجهیزاتی برای اتصال وسائل مکش گرد و غبار و یا وسیله جمع کننده گرد و غبار ارائه شده است، باید مطمئن شوید که این وسائل درست نصب و استفاده می شوند. استفاده از وسائل مکش گرد و غبار مصونیت شما را در برابر گرد و غبار زیادتیر میکند.

◀ آشنایی با ابزار به دلیل کار کردن زیاد با آن نباید باعث سهل انگاری شما و نادیده گرفتن اصول ایمنی شود. بی دقتی ممکن است باعث بروز جراثمی در عرض کسری از ثانیه شود.

## فارسی

### دستورات ایمنی

#### نکات ایمنی عمومی برای ابزارهای برقی

##### ⚠ هشدار کلیه هشدارها، دستورالعملها، تصاویر و مشخصات ارائه شده به همراه ابزار برقی را مطالعه کنید. اشتباهات ناشی از عدم رعایت این دستورات ایمنی ممکن است باعث برق گرفتگی، سوختگی و یا سایر جراثم های شدید شود.

کلیه هشدارهای ایمنی و راهنماییها را برای آینده خوب نگهداری کنید.

عبارت «ابزار برقی» در هشدارها به ابزارهایی که به پریز برق متصل میشوند (با سیم برق) و یا ابزارهای برقی باتری دار (بدون سیم برق) اشاره دارد.

#### ایمنی محل کار

◀ محیط کار را تمیز و روشن نگه دارید. محیطهای در هم ریخته یا تاریک احتمال بروز حادثه را افزایش میدهند.

◀ ابزار برقی را در محیطهایی که خطر انفجار وجود دارد و حاوی مایعات، گازها و بخارهای متحرکه هستند، به کار نگیرید. ابزارهای برقی چرخههایی ایجاد میکنند که میتوانند باعث آتش گرفتن گرد و غبارهای موجود در هوا شوند.

◀ هنگام کار با ابزار برقی، کودکان و سایر افراد را از دستگاه دور نگه دارید. در صورتیکه حواس شما پرت شود، ممکن است کنترل دستگاه از دست شما خارج شود.

#### ایمنی الکتریکی

◀ دوشاخه ابزار برقی باید با پریز برق تناسب داشته باشد. هیچگونه تغییری در دوشاخه ایجاد نکنید. مبدل دوشاخه نباید همراه با ابزار برقی دارای اتصال زمین استفاده شود. دوشاخههای اصل و تغییر داده نشده و پریزهای مناسب، خطر برق گرفتگی را کاهش میدهند.

◀ از تماس بدنی با قطعات متصل به سیم اتصال زمین مانند لوله، شوفاژ، اجاق برقی و یخچال خودداری کنید. در صورت تماس بدنی با سطوح و قطعات دارای اتصال به زمین و همچنین تماس شما با زمین، خطر برق گرفتگی افزایش می یابد.

◀ ابزارهای برقی را در معرض باران و رطوبت قرار ندهید. نفوذ آب به ابزار برقی، خطر شوک الکتریکی را افزایش میدهد.

◀ از سیم دستگاه برای مقاصد دیگر استفاده نکنید. هرگز برای حمل ابزار برقی، کشیدن آن یا خارج کردن دوشاخه از سیم دستگاه استفاده نکنید. کابل دستگاه را از حرارت، روغن، لیبهای تیز یا قطعات متحرک دور نگه دارید. کابلهای آسیب دیده و یا گره خورده خطر شوک الکتریکی را افزایش میدهند.

◀ هنگام استفاده از ابزار برقی در محیطهای باز، تنها از کابل رابطی استفاده کنید که برای محیط باز نیز مناسب باشد. کابل های رابط

- شوند. ایجاد اتصالی بین دو قطب باتری (ترمینالهای باتری) میتواند باعث سوختگی و ایجاد حریق شود.
  - استفاده بی رویه از باتری میتواند باعث خروج مایعات از آن شود؛ از هر گونه تماس با این مایعات خودداری کنید. در صورت تماس اتفاقی با آن، دست خود و یا محل تماس را با آب بشوئید. در صورت آلوده شدن چشم با این مایع، باید به پزشک مراجعه کنید. مایع خارج شده از باتری میتواند باعث التهاب پوست و سوختگی شود.
  - هرگز از باتری یا ابزار آسیب دیده یا دست کاری شده استفاده نکنید. باتریهای آسیب دیده ممکن است کارکرد غیر منتظرهای داشته باشند و منجر به آتش سوزی، انفجار یا جراحت شوند.
  - باتری یا ابزار را در معرض آتش یا دمای زیاد قرار ندهید. قرار گرفتن در معرض آتش یا دمای بالاتر از 130 درجه سانتیگراد میتواند باعث انفجار شود.
  - همه راهنماییهای مربوط به شارژ را رعایت کنید و باتری یا ابزار را خارج از محدوده دمای تعریف شده در دستورات شارژ نکنید. شارژ کردن نادرست یا در دمای خارج از محدوده تعریف شده ممکن است به باتری صدمه بزند و خطر آتش سوزی را افزایش دهد.
- سرویس**
- برای تعمیر ابزار برقی فقط به متخصصین حرفهای رجوع کنید و از قطعات یدکی اصل استفاده نمایید. این باعث خواهد شد که ایمنی دستگاه شما تضمین گردد.
  - هرگز باتریهای آسیب دیده را تعمیر نکنید. باتری باید تنها توسط متخصصین مجاز شرکت تعمیر شوند.
- نکات ایمنی برای دریل ها و پیچ گوشتی ها**
- دستورالعملهای ایمنی برای انواع عملیات**
- هنگام کار با دریل ضربهای از گوشی ایمنی استفاده کنید. قرار گرفتن در معرض سر و صدا، میتواند به شنوایی آسیب برساند.
  - چنانچه هنگام انجام کار، امکان تماس متعلقات برش یا بستها با سیمهای برق غیر قابل رؤیت وجود داشته باشد، باید ابزار برقی را از محل دستگیره و سطوح عایق آن بگیریید. تماس متعلقات برش یا بستها با سیم حامل جریان برق، میتواند جریان برق را به بخشهای فلزی دستگاه نیز انتقال دهد و باعث برق گرفتگی شود.
  - دستورالعملهای ایمنی برای هنگام استفاده از متهای بلند
  - هرگز دستگاه را با سرعت بیشتر از حداکثر سرعت مجاز مته به کار نگیرید. در سرعتهای بالاتر، ممکن است مته هنگام چرخش در حالت آزاد و بدون تماس با قطعه کار کج شود و باعث وارد آمدن جراحت گردد.

- استفاده صحیح از ابزار برقی و مراقبت از آن
- از وارد کردن فشار زیاد روی دستگاه خودداری کنید. برای هر کاری، از ابزار برقی مناسب با آن استفاده کنید. بکار گرفتن ابزار برقی مناسب باعث میشود که بتوانید از توان دستگاه بهتر و با اطمینان بیشتر استفاده کنید.
- در صورت ایراد در کلید قطع و وصل ابزار برقی، از دستگاه استفاده نکنید. ابزار برقی که نمی توان آنها را قطع و وصل کرد، خطرناک بوده و باید تعمیر شوند.
- قبل از تنظیم ابزار برقی، تعویض متعلقات و یا کنار گذاشتن آن، دوشاخه را از برق بکشید و یا باتری آنرا خارج کنید. رعایت این اقدامات پیشگیری ایمنی از راه افتادن ناخواسته ابزار برقی جلوگیری می کند.
- ابزار برقی را در صورت عدم استفاده، از دسترس کودکان دور نگه دارید و اجازه ندهید که افراد ناوارد و یا اشخاصی که این دفترچه راهنما را نخواندهاند، با این دستگاه کار کنند. قرار گرفتن ابزار برقی در دست افراد ناوارد و بی تجربه خطرناک است.
- از ابزار برقی و متعلقات خوب مراقبت کنید. مواظب باشید که قسمت های متحرک دستگاه خوب کار کرده و گیر نکنند. همچنین دقت کنید که قطعات ابزار برقی شکسته و یا آسیب دیده نباشند. قطعات آسیب دیده را قبل از شروع به کار تعمیر کنید. علت بسیاری از سوانح کاری، عدم مراقبت کامل از ابزارهای برقی می باشد.
- ابزار برش را تیز و تمیز نگه دارید. ابزار برشی که خوب مراقبت شده و از لبه های تیز برخوردار است، کمتر در قطعه کار گیر کرده و بهتر قابل هدایت است.
- ابزار برقی، متعلقات، متهای دستگاه و غیره را مطابق دستورات این جزوه راهنما به کار گیرید و به شرایط کاری و نوع کار نیز توجه داشته باشید. استفاده از ابزار برقی برای عملیاتی به جز مقاصد در نظر گرفته شده، میتواند به بروز شرایط خطرناک منجر شود.
- دستها و سطوح عایق را همواره خشک، تمیز و عاری از روغن و گریس نگه دارید. دسته های لغزنده مانع ایمنی و کنترل در کار در شرایط غیر منتظره هستند.
- مراقبت و طرز استفاده از ابزارهای شارژی
- باتریها را منحصراً توسط شارژرهایی که توسط سازنده توصیه شدهاند، شارژ کنید. در صورتی که برای شارژ باتری، آنرا در شارژری قرار دهید که برای آن باتری ساخته نشده است، خطر آتش سوزی وجود دارد.
- در ابزارهای برقی فقط از باتریهایی استفاده کنید که برای آن نوع ابزار برقی در نظر گرفته شدهاند. استفاده از باتریهای مترقیه میتواند منجر به بروز جراحت و حریق گردد.
- در صورت عدم استفاده از باتری باید آنرا از گیره های فلزی، سکه، کلید، میخ، پیچ و دیگر وسائل کوچک فلزی دور نگه دارید، زیرا این وسائل ممکن است باعث ایجاد اتصالی

باتری را در برابر حرارت، از جمله در برابر تابش مداوم خورشید و همچنین در برابر آتش، آلودگی، آب و رطوبت محفوظ بدارید. خطر اتصالی و انفجار وجود دارد.



در صورت بلوکه شدن ابزار برقی، آن را خاموش کنید. نسبت به عکسالعملهای شدیدی که منجر به ضربه برگشتی می شوند، آمادگی داشته باشید. چنانچه فشار زیادی به ابزار برقی وارد شود یا در قطعهکار گیر کند، ابزار برقی بلوکه می شود.

## توضیحات محصول و کارکرد

همه دستورات ایمنی و راهنماییها را بخوانید. اشتباهات ناشی از عدم رعایت این دستورات ایمنی ممکن است باعث برفگرفتگی، سوختگی و یا سایر جراحات های شدید شود.



به تصویرهای واقع در بخشهای اول دفترچه راهنما توجه کنید.

## موارد استفاده از دستگاه

این ابزار برقی برای پیچکاری اعم از باز و بسته کردن پیچها و همچنین برای دریل کاری در چوب، فلزات، سرامیک و پلاستیک مناسب است. GSB بطور خاص برای سوراخکاری چکشی در آجر، ساختارهای آجری و سنگ در نظر گرفته شده است.

## تصاویر اجزاء دستگاه

شماره گذاری تصاویر اجزاء دستگاه بر اساس شکل ابزار برقی در صفحه تصاویر است.

- (1) ابزارگیر
- (2) سه نظام اتوماتیک
- (3) حلقه تنظیم انتخاب گشتاور
- (4) حلقه تنظیم انتخاب نوع عملکرد (GSB 18V-50)
- (5) کلید انتخاب سرعت
- (6) گیره نگهدارنده بند رکابی
- (7) باتری قابل شارژ<sup>(a)</sup>
- (8) دکمه آزادسازی باتری قابل شارژ<sup>(a)</sup>
- (9) چراغ کار (LED)
- (10) کلید تغییر جهت چرخش
- (11) کلید روشن/خاموش
- (12) نگهدارنده مته<sup>(a)</sup>
- (13) دسته (دارای روکش عایق)

(a) این قسمت از متعلقات، بطور معمول همراه دستگاه ارائه نمی شود.

دریل کاری را همیشه هنگامی که مته با قطعه کار در تماس است و با سرعت پایین آغاز کنید. در سرعتهای بالاتر، ممکن است مته هنگام چرخش در حالت آزاد و بدون تماس با قطعه کار کج شود و باعث وارد آمدن جراحت گردد.

فشار را فقط هم راستا با مته وارد کنید و از وارد کردن فشار زیاد خودداری نمایید. ممکن است مته کج شود و باعث ایجاد شکستگی یا از دست رفتن کنترل و در نتیجه وارد آمدن جراحت گردد.

## سایر راهنمایی های ایمنی

ابزار برقی را محکم بگیرید. هنگام سفت و باز کردن پیچها ممکن است گشتاورهای بازگشتی بالایی به طور موقت ایجاد شوند.

قطعه کار را محکم کنید. در صورتیکه قطعه کار به وسیله تجهیزات نگهدارنده و یا بوسیله گیره محکم شده باشد، قطعه کار مطمئن تر نگه داشته میشود، تا اینکه بوسیله دست نگهداشته شود.

برای پیدا کردن لوله ها و سیم های پنهان موجود در ساختمان و محدوده کار، از یک دستگاه ردیاب مخصوص برای یافتن لوله ها و سیمهای تأسیسات استفاده کنید و یا با

شرکت های کارهای تأسیسات ساختمان و خدمات مربوطه تماس بگیرید. تماس با کابل و سیمهای برق، ممکن است باعث آتشسوزی و یا برق گرفتگی شود. ایراد و آسیب دیدگی لوله گاز میتواند باعث انفجار شود. سوراخ شدن لوله آب باعث ایجاد خسارت میشود.

قبل از کنار گذاشتن ابزار برقی صبر کنید تا دستگاه بطور کامل از کار و حرکت بایستد.

ابزار ممکن است به قطعه کار گیر کرده و کنترل ابزار برقی از دست شما خارج شود.

در صورتیکه باتری آسیب دیده باشد و یا از آن بطور بی رویه استفاده شود، ممکن است از باتری بخارهایی بلند شود. باتری ممکن است آتش بگیرد یا منفجر شود. در این حالت هوای محیط را تازه کنید؛ اگر احساس ناراحتی کردید، به پزشک مراجعه نمایید. استنشاق این بخارها ممکن است به مجاری تنفسی شما آسیب برساند.

باتری قابل شارژ را تغییر و باز نکنید. خطر اتصال کوتاه وجود دارد.

بوسیله ی اشیاء تیز مانند میخ یا پیچگوشتی یا تأثیر نیروی خارجی ممکن است باتری آسیب ببیند. ممکن است اتصال داخلی رخ دهد و باتری آتش گیرد، دود کند، منفجر شود یا بیش از حد داغ گردد.

از باتری قابل شارژ فقط در محصولات سازنده استفاده کنید. فقط در این صورت از باتری در برابر بار اضافی خطرناک محافظت می شود.

## مشخصات فنی

GSB 18V-50	GSR 18V-50	پیچ گوشتی شارژی
3 601 JH5 1..	3 601 JH5 0..	شماره فنی
18	18	ولتاژ نامی

GSB 18V-50	GSR 18V-50	پیچ گواشی شارژی	
سرعت در حالت آزاد <sup>(A)</sup>			
0-460	0-460	min <sup>-1</sup>	- سرعت 1
0-1800	0-1800	min <sup>-1</sup>	- سرعت 2
0-27000	-	min <sup>-1</sup>	تعداد ضربه <sup>(A)</sup>
50/28	50/28	Nm	حداکثر گشتاور پیچ کاری سخت/نرم <sup>(A)</sup>
حداکثر قطر سوراخ کاری (سرعت 1/2)			
35	35	mm	- چوب
13	13	mm	- فولاد
13	-	mm	- ساختار آجری
1,5-13	1,5-13	mm	دامنه مهار سه نظام
10	10	mm	حداکثر قطر پیچ ها
1,4-2,5	1,4-2,4	kg	وزن <sup>(B)</sup>
0 ... +35	0 ... +35	°C	دمای توصیه شده محیط هنگام شارژ
-20 ... +50	-20 ... +50	°C	دمای مجاز محیط هنگام کار و هنگام انبار کردن
GBA 18V... ProCORE18V...	GBA 18V... ProCORE18V...		باتری های قابل شارژ توصیه شده
GAL 18... GAX 18... GAL 36...	GAL 18... GAX 18... GAL 36...		شارژرهای توصیه شده

(A) اندازه گیری شده در دمای °C 20-25 با باتری قابل شارژ **GBA 18V 5.0Ah**.

(B) بسته به نوع باتری کاربردی

مقادیر ممکن است بسته به محصول متفاوت باشند و بستگی به شرایط استفاده و محیطی دارند. اطلاعات بیشتر را در سایت [www.bosch-professional.com/wac](http://www.bosch-professional.com/wac) مشاهده نمایید.

باتری قابل شارژ دارای 2 مرحله قفل می باشد که مانع از بیرون افتادن باتری قابل شارژ در اثر فشار ناخواسته روی دکمه آزادسازی باتری می شود. تا زمانی که باتری قابل شارژ داخل ابزار برقی قرار داشته باشد، توسط یک فنر در موقعیت خود نگه داشته می شود.

### نشانگر وضعیت شارژ باتری

نکته: هر نوع باتری قابل شارژ دارای نشانگر میزان شارژ نیست.

چراغهای سبز LED نشانگر وضعیت شارژ باتری، وضعیت شارژ باتری را نشان میدهند. به دلایل ایمنی، فراخوانی وضعیت شارژ باتری تنها در حالت توقف ابزار برقی ممکن است.

دکمه را جهت پدیدار شدن نشانگر وضعیت شارژ<sup>(A)</sup> یا وضعیت شارژ فشار دهید. این کار هنگامی که باتری برداشته شده باشد نیز ممکن است.

چنانچه پس از فشردن دکمه نشانگر وضعیت شارژ هیچ LED روشن نشود، باتری خراب است و باید تعویض گردد.

### نوع باتری GBA 18V...



ظرفیت	LED
60-100 %	3 عدد چراغ سبز ممتد

## باتری قابل شارژ

**Bosch** ابزارهای برقی شارژی را هم بدون باتری قابل شارژ می فروشد. در بسته بندی می توانید دریابید که آیا باتری قابل شارژ در محتویات ارسالی ابزار برقی شما وجود دارد یا خیر.

### شارژ کردن باتری قابل شارژ

◀ **تنها شارژرهای ذکر شده در مشخصات فنی را بکار برید.** تنها این دستگاه های شارژ با باتری های لیتیوم-یونی (Li-Ion) ابزار برقی شما منطبق میباشند.

**نکته:** باتری های قابل شارژ لیتیوم یونی به دلیل قوانین حمل و نقل بین المللی به صورت نیمه شارژ تحویل داده می شوند. برای دست یافتن به توان کامل باتری قابل شارژ، قبل از به کارگیری آن برای اولین بار، باتری را به طور کامل شارژ کنید.

### نحوه قرار دادن باتری قابل شارژ

باتری شارژ شده را به داخل محفظه باتری قابل شارژ برانید تا جا بیفتد.

### نحوه برداشتن باتری قابل شارژ

برای برداشتن باتری قابل شارژ، دکمه های آزادسازی باتری را فشار دهید و آن را خارج کنید. **هنگام انجام این کار از اعمال فشار خودداری کنید.**

## مکش گرد، براده و تراشه

گرد و غبار موادی مانند رنگ های دارای سرب، بعضی از چوب ها، مواد معدنی و فلزات میتوانند برای سلامتی مضر باشند. دست زدن و یا تنفس کردن گرد و غبار ممکن است باعث بروز آلرژی و یا بیماری مجاری تنفسی شخص استفاده کننده و یا افرادی که در آن نزدیکی میباشند، بشود.

گرد و غبارهای مخصوصی مانند گرد و غبار درخت بلوط و یا درخت راش سرطان زا هستند، بخصوص ترکیب آنها با سایر موادی که برای کار بر روی چوب (کرومات، مواد برای محافظت از چوب) بکار برده میشوند. فقط افراد متخصص مجازند با موادی که دارای آزیست میباشند کار کنند.

- توجه داشته باشید که محل کار شما از تهویه هوای کافی برخوردار باشد.

- توصیه میشود از ماسک تنفسی ایمنی با درجه فیلتر P2 استفاده کنید.

به قوانین و مقررات معتبر در کشور خود در رابطه با استفاده از مواد و قطعات کاری توجه کنید.

◀ از تجمع گرد و غبار در محل کار جلوگیری کنید. گرد و غبار می تواند به آسانی مشتعل شوند.

## طرز کار با دستگاه

### راه اندازی و نحوه کاربرد دستگاه

#### نحوه تنظیم جهت چرخش (رجوع کنید به تصویر B)

توسط دکمه تعویض جهت چرخش (10) می توان جهت چرخش ابزار برقی را تغییر داد. هنگامی که کلید قطع و وصل (11) فشرده شده است، این امر ممکن نیست.

**گردش به راست:** برای سوراخکاری و چرخاندن پیچ ها، کلید تغییر جهت چرخش (10) را تا انتها به چپ فشار دهید.

**گردش به چپ:** برای چرخاندن و پیچاندن و نیز سفت کردن مهرهها، کلید تغییر جهت چرخش (10) را تا انتها به راست فشار دهید.

#### تنظیم نوع عملکرد

##### سوراخکاری

###### GSR 18V-50

رینگ تنظیم انتخاب گشتاور (3) را روی علامت "سوراخکاری" قرار دهید.

###### GSB 18V-50

حلقه تنظیم انتخاب نوع عملکرد (4) را روی علامت "سوراخکاری" قرار دهید.



###### GSR 18V-50

حلقه تنظیم انتخاب گشتاور (3) را روی گشتاور دلخواه قرار دهید.

###### GSB 18V-50

حلقه تنظیم انتخاب نوع عملکرد (4) را روی علامت "پیچکاری" قرار دهید. حلقه تنظیم انتخاب گشتاور (3) را روی گشتاور دلخواه تنظیم کنید.



#### LED ظرفیت

2 عدد چراغ سبز ممتد	60-30 %
1 عدد چراغ سبز ممتد	30-5 %
1 عدد چراغ سبز چشمک زن	5-0 %

#### نوع باتری ProCORE18V...



#### LED ظرفیت

5 عدد چراغ سبز ممتد	100-80 %
4 عدد چراغ سبز ممتد	80-60 %
3 عدد چراغ سبز ممتد	60-40 %
2 عدد چراغ سبز ممتد	40-20 %
1 عدد چراغ سبز ممتد	20-5 %
1 عدد چراغ سبز چشمک زن	5-0 %

## توضیحات و تذکراتی برای نحوه بهینه کار با باتری

باتری را در برابر رطوبت و آب حفظ کنید. باتری را منحصراً در دمای بین -20 تا 50 درجه نگهداری کنید. بطور مثال باتری را در تابستان داخل اتومبیل نگذارید.

گاهیگاه شیارهای تهویه باتری را بوسیله یک قلم موی یا برس کوچک نرم و خشک تمیز کنید.

افت قابل توجه مدت زمان کارکرد باتری که تازه شارژ شده است، نمایانگر آن است که باتری فرسوده و مستعمل شده و باید تعویض شود.

به نکات مربوط به نحوه از رده خارج کردن باتری توجه کنید.

## نصب

◀ قبل از انجام هر گونه کاری با ابزار برقی (از جمله سرویس و نگهداری، تعویض ابزار و غیره)، باتری قابل شارژ را از داخل ابزار برقی خارج کنید. در صورت فشرده شدن اتفاقی کلید روشن/خاموش، خطر آسیب دیدگی وجود دارد.

### تعویض ابزار (رجوع کنید به تصویر A)

◀ قبل از انجام هر گونه کاری با ابزار برقی (از جمله سرویس و نگهداری، تعویض ابزار و غیره)، باتری قابل شارژ را از داخل ابزار برقی خارج کنید. در صورت فشرده شدن اتفاقی کلید روشن/خاموش، خطر آسیب دیدگی وجود دارد.

در صورت فشرده نبودن کلید قطع و وصل (11) محور دریل قفل می شود. این امر باعث تعویض آسان و سریع ابزار و متعلقات سه نظام میشود.

سه نظام سریع (2) را با چرخاندن در جهت 1 باز کنید تا ابزار قرارگیرد. ابزار را جا گذاری کنید.

بوش نگهدارنده سه نظام مهار سریع (2) را محکم با دست در جهت 2 بچرخانید. اینگونه سه نظام به طور اتوماتیک قفل می شود.



جهت جدا کردن سر پیچ و نگهدارنده ی سر پیچ نباید از ابزار کمکی استفاده گردد.

### گیره رکابی نگهدارنده/گیره اتصال به کمر بند

با استفاده از گیره رکابی نگهدارنده (6) می توانید ابزار برقی را بعنوان مثال به يك تسمه یا به کمر بند متصل کنید. در این صورت هر دو دست شما آزاد است و در صورت لزوم، ابزار برقی در دسترس شما است.

## مراقبت و سرویس

### مراقبت، تعمیر و تمیز کردن دستگاه

- ◀ قبل از انجام هر گونه کاری با ابزار برقی (از جمله سرویس و نگهداری، تعویض ابزار و غیره)، باتری قابل شارژ را از داخل ابزار برقی خارج کنید. در صورت فشرده شدن اتفاقی کلید روشن/خاموش، خطر آسیب دیدگی وجود دارد.
- ◀ ابزار برقی و شیارهای تهویه را همواره تمیز نگه دارید تا بتوان بخوبی و با اطمینان کار کرد.

### خدمات و مشاوره با مشتریان

دفتر خدمات پس از فروش به سئوالات شما در باره تعمیرات، سرویس و همچنین قطعات یدکی و متعلقات پاسخ خواهد داد. تصاویر و اطلاعات در باره قطعات یدکی و متعلقات را میتوان در سایت نامبرده زیر جستجو نمایید: [www.bosch-pt.com](http://www.bosch-pt.com) تیم مشاوره Bosch شما را در مورد سئوالهایتان نسبت به محصولات و متعلقات ما حمایت می کند. برای هرگونه سئوال و یا سفارش ابزار یدکی و متعلقات، حتما شماره فنی ده رقمی کالا را مطابق برچسب روی ابزار برقی اطلاع دهید.

### ایران

روبرت بوش ایران - شرکت بوش تجارت پارس  
میدان ونک، خیابان شهید خدای، خیابان آفتاب  
ساختمان مادران، تهران، شماره 3، طبقه سوم.  
تهران 1994834571  
تلفن: 42039000 9821+

سایر اطلاعات مربوط به خدمات را اینجا می یابید:

[www.bosch-pt.com/serviceaddresses](http://www.bosch-pt.com/serviceaddresses)

### حمل و نقل

باتریهای لیتیوم-یونی توصیه شده تابع مقررات حمل کالاهای پر خطر می باشند. کاربر می تواند باتریها را بدون استفاده از روکش در خیابان حمل کند. در صورت ارسال از طرف شرکت ثالث (مثلا: حمل و نقل هوایی یا زمینی) باید تمهیدات مربوط به بسته بندی و علامتگذاری مورد توجه قرار گیرد. در اینصورت باید حتما جهت آماده سازی قطعه ارسالی به کارشناس حمل کالاهای پر خطر مراجعه کرد. باتریهای شارژی را فقط در صورتی ارسال کنید که بدنه آنها آسیب ندیده باشد. کنتاکتهای باز را بپوشانید و باتری را طوری بسته بندی کنید که در بسته بندی تکان نخورد. در این باره لطفا به مقررات و آیین نامه های ملی توجه کنید.

### سوراخکاری چکشی

GSB 18V-50



حلقه تنظیم انتخاب نوع عملکرد (4) را روی علامت "سوراخکاری چکشی" قرار دهید.

### روشن/خاموش کردن

برای راهاندازی ابزار برقی، کلید قطع و وصل (11) را فشار داده و آنرا در حالت فشرده نگهدارید.

چراغهای LED (9) هنگام وارد کردن فشار کم یا کامل به کلید روشن/خاموش (11) روشن میشود و محیط کار را در صورت عدم وجود شرایط مناسب نور، روشن میکند.

برای خاموش کردن ابزار برقی، کلید قطع و وصل (11) را رها کنید.

### تنظیم سرعت (دور موتور)

سرعت ابزار برقی را می توان با فشردن دلخواه کلید قطع و وصل (11) تنظیم کرد.

فشار کم روی کلید قطع و وصل (11) سرعت کاهش مییابد. افزایش فشار بر روی کلید قطع و وصل باعث افزایش سرعت میشود.

### گشتاور را انتخاب کنید (معتبر برای عملکرد پیچکاری)

از طریق حلقه تنظیم انتخاب گشتاور (3) می توان گشتاور لازم را در 20 درجه مختلف از پیش انتخاب کرد. به محض رسیدن به گشتاور تنظیم شده، ابزار متوقف میشود.

### انتخاب مکانیکی دنده

◀ کلید تغییر جهت چرخش (5) را هنگام متوقف بودن دستگاه فعال کنید.

دنده 1:

محدوده سرعت پایین، برای کار با متهای دارای قطر زیاد و یا برای پیچکاری.

دنده 2:

محدوده سرعت بالا، برای کار با متهای دارای قطر کم.

◀ دکمه انتخاب دنده را همواره تا انتها برانید. در غیر اینصورت امکان آسیب دیدن ابزار برقی وجود دارد.

### قفل محور تمام خودکار (قفل اتوماتیک)

در صورت فشرده نبودن کلید روشن/خاموش (11) میل شفت دریل و در نتیجه ابزارگیر (1) قفل می شود.

این امر امکان بستن پیچ ها را حتی در حالت خالی بودن باتری قابل شارژ (7) یا استفاده از ابزار برقی به عنوان پیچگوشتی را فراهم می سازد.

### راهنمایهای عملی

◀ ابزار برقی را تنها در حالت خاموش روی پیچ قرار دهید. امکان لغزش ابزار در حال چرخش وجود دارد.

پیش از پیچ کردن پیچ های بزرگ و بلند داخل قطعات سخت، باید نخست يك سوراخ به قطر مغزی روزه پیچ و به اندازه 2/3 طول پیچ داخل قطعه کار ایجاد کنید.

## از رده خارج کردن دستگاه

ابزارهای برقی، باتری ها، متعلقات و بسته بندی ها، باید طبق مقررات حفظ محیط زیست از رده خارج و بازیافت شوند.



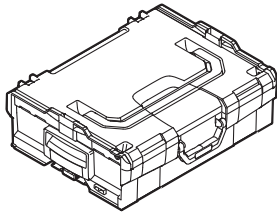
ابزار برقی و باتری ها/ باتری های قابل شارژ را داخل زباله دان خانگی نیندازید!



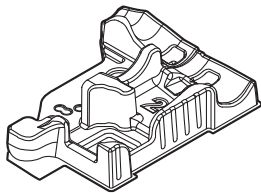
## باتریهای شارژی/قلمی:

### لیتیوم-یونی:

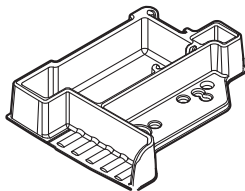
لطفاً به تذکرات بخش "حمل و نقل" توجه کنید (رجوع کنید به „حمل و نقل“، صفحه 65).



2 608 438 692  
(L-BOXX 136)



1 600 A00 2WA



1 600 A00 2WC

## Legal Information and Licenses

### Copyright © 2009–2020 ARM LIMITED

All rights reserved.

Redistribution and use in source and binary forms, with or without modification, are permitted provided that the following conditions are met:

- Redistributions of source code must retain the above copyright notice, this list of conditions and the following disclaimer.
- Redistributions in binary form must reproduce the above copyright notice, this list of conditions and the following disclaimer in the documentation and/or other materials provided with the distribution.
- Neither the name of ARM nor the names of its contributors may be used to endorse or promote products derived from this software without specific prior written permission.

THIS SOFTWARE IS PROVIDED BY THE COPYRIGHT HOLDERS AND CONTRIBUTORS "AS IS" AND ANY EXPRESS OR IMPLIED WARRANTIES, INCLUDING, BUT NOT LIMITED TO, THE IMPLIED WARRANTIES OF MERCHANTABILITY AND FITNESS FOR A PARTICULAR PURPOSE ARE DISCLAIMED. IN NO EVENT SHALL THE COPYRIGHT OWNER OR CONTRIBUTORS BE LIABLE FOR ANY DIRECT, INDIRECT, INCIDENTAL, SPECIAL, EXEMPLARY, OR CONSEQUENTIAL DAMAGES (INCLUDING, BUT NOT LIMITED TO, PROCUREMENT OF SUBSTITUTE GOODS OR SERVICES; LOSS OF USE, DATA, OR PROFITS; OR BUSINESS INTERRUPTION) HOWEVER CAUSED AND ON ANY THEORY OF LIABILITY, WHETHER IN CONTRACT, STRICT LIABILITY, OR TORT (INCLUDING NEGLIGENCE OR OTHERWISE) ARISING IN ANY WAY OUT OF THE USE OF THIS SOFTWARE, EVEN IF ADVISED OF THE POSSIBILITY OF SUCH DAMAGE.

### Copyright © 2015, Infineon Technologies AG

All rights reserved.

Redistribution and use in source and binary forms, with or without modification, are permitted provided that the following conditions are met:

- Redistributions of source code must retain the above copyright notice, this list of conditions and the following disclaimer.
- Redistributions in binary form must reproduce the above copyright notice, this list of conditions and the following disclaimer in the documentation and/or other materials provided with the distribution.
- Neither the name of the copyright holders nor the names of its contributors may be used to endorse or promote products derived from this software without specific prior written permission.

THIS SOFTWARE IS PROVIDED BY THE COPYRIGHT HOLDERS AND CONTRIBUTORS "AS IS" AND ANY EXPRESS OR IMPLIED WARRANTIES, INCLUDING, BUT NOT LIMITED TO, THE IMPLIED WARRANTIES OF MERCHANTABILITY AND FITNESS FOR A PARTICULAR PURPOSE ARE DISCLAIMED. IN NO EVENT SHALL THE COPYRIGHT OWNER OR CONTRIBUTORS BE LIABLE FOR ANY DIRECT, INDIRECT, INCIDENTAL, SPECIAL, EXEMPLARY, OR CONSEQUENTIAL DAMAGES (INCLUDING, BUT NOT LIMITED TO, PROCUREMENT OF SUBSTITUTE GOODS OR SERVICES; LOSS OF USE, DATA, OR PROFITS; OR BUSINESS INTERRUPTION) HOWEVER CAUSED AND ON ANY THEORY OF LIABILITY, WHETHER IN CONTRACT, STRICT LIABILITY, OR TORT (INCLUDING NEGLIGENCE OR OTHERWISE) ARISING IN ANY WAY OUT OF THE USE OF THIS SOFTWARE, EVEN IF ADVISED OF THE POSSIBILITY OF SUCH DAMAGE.

### Warranty Disclaimer


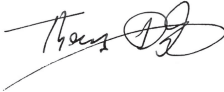
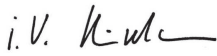
This product contains Open Source Software components which underly Open Source Software Licenses. Please note that Open Source

Licenses contain disclaimer clauses. The text of the Open Source Licenses that apply are included in this manual under "Legal Information and Licenses".

<b>de</b>	<b>EU-Konformitätserklärung</b>		Wir erklären in alleiniger Verantwortung, dass die genannten Produkte allen einschlägigen Bestimmungen der nachfolgend aufgeführten Richtlinien und Verordnungen entsprechen und mit folgenden Normen übereinstimmen. Technische Unterlagen bei: *
	<b>Akku-Bohrschrauber</b>	Sachnummer	
<b>en</b>	<b>EU Declaration of Conformity</b>		We declare under our sole responsibility that the stated products comply with all applicable provisions of the directives and regulations listed below and are in conformity with the following standards. Technical file at: *
	<b>Cordless Drill/Driver</b>	Article number	
<b>fr</b>	<b>Déclaration de conformité UE</b>		Nous déclarons sous notre propre responsabilité que les produits décrits sont en conformité avec les directives, règlements normatifs et normes énumérés ci-dessous. Dossier technique auprès de: *
	<b>Perceuse-visseuse sans fil</b>	N° d'article	
<b>es</b>	<b>Declaración de conformidad UE</b>		Declaramos bajo nuestra exclusiva responsabilidad, que los productos nombrados cumplen con todas las disposiciones correspondientes de las Directivas y los Reglamentos mencionados a continuación y están en conformidad con las siguientes normas. Documentos técnicos de: *
	<b>Atornilladora taladradora accionada por acumulador</b>	Nº de artículo	
<b>pt</b>	<b>Declaração de Conformidade UE</b>		Declaramos sob nossa exclusiva responsabilidade que os produtos mencionados cumprem todas as disposições e os regulamentos indicados e estão em conformidade com as seguintes normas. Documentação técnica pertencente à: *
	<b>Berbequim/aparafusador sem fio</b>	N.º do produto	
<b>it</b>	<b>Dichiarazione di conformità UE</b>		Dichiariamo sotto la nostra piena responsabilità che i prodotti indicati sono conformi a tutte le disposizioni pertinenti delle Direttive e dei Regolamenti elencati di seguito, nonché alle seguenti Normative. Documentazione Tecnica presso: *
	<b>Trapano-avvitatore a batteria</b>	Codice prodotto	
<b>nl</b>	<b>EU-conformiteitsverklaring</b>		Wij verklaren op eigen verantwoordelijkheid dat de genoemde producten voldoen aan alle desbetreffende bepalingen van de hierna genoemde richtlijnen en verordeningen en overeenstemmen met de volgende normen. Technisch dossier bij: *
	<b>Accuboorschroevendraaier</b>	Productnummer	
<b>da</b>	<b>EU-overensstemmelseserklæring</b>		Vi erklærer som eneansvarlige, at det beskrevne produkt er i overensstemmelse med alle gældende bestemmelser i følgende direktiver og forordninger og opfylder følgende standarder. Tekniske bilag ved: *
	<b>Akku-bore-/skruemaskine</b>	Typenummer	
<b>sv</b>	<b>EU-konformitetsförklaring</b>		Vi förklarar under eget ansvar att de nämnda produkterna uppfyller kraven i alla gällande bestämmelser i de nedan angivna direktiven och förordningarnas och att de stämmer överens med följande normer. Teknisk dokumentation: *
	<b>Sladdlös borrarvredragare</b>	Produktnummer	
<b>no</b>	<b>EU-samsvarserklæring</b>		Vi erklærer under eneansvar at de nevnte produktene er i overensstemmelse med alle relevante bestemmelser i direktivene og forordningene nedenfor og med følgende standarder. Teknisk dokumentasjon hos: *
	<b>Batteriboreskruttrækker</b>	Produktnummer	
<b>fi</b>	<b>EU-vaatimustenmukaisuusvakuutus</b>		Vakuutamme täten, että mainitut tuotteet vastaavat kaikkia seuraavien direktiivien ja asetusten asiaankuuluvia vaatimuksia ja ovat seuraavien standardien vaatimusten mukaisia. Tekniset asiakirjat saatavana: *
	<b>Akkuruuvinväännin</b>	Tuotenumero	
<b>el</b>	<b>Δήλωση πιστότητας ΕΕ</b>		Δηλώνουμε με αποκλειστική μας ευθύνη, ότι τα αναφερόμενα προϊόντα αντιστοιχούν σε όλες τις σχετικές διατάξεις των πιο κάτω αναφερόμενων οδηγιών και κανονισμών και ταυτίζονται με τα ακόλουθα πρότυπα. Τεχνικά έγγραφα στη: *
	<b>Δραπανοκατὰ βίδο μπαταρίας</b>	Αριθμός ευρετηρίου μπαταρίας	
<b>tr</b>	<b>AB Uygunluk beyanı</b>		Tek sorumlu olarak, tanımlanan ürünün aşağıdaki yönetmelik ve direktiflerin geçerli bütün hükümlerine ve aşağıdaki standartlara uygun olduğunu beyan ederiz. Teknik belgelerin bulunduğu yer: *
	<b>Aküülü delme/vidalama makinesi</b>	Ürün kodu	

<b>pl</b>	<b>Deklaracja zgodności UE</b> <b>Wiertarko-wkrętarka akumulatorowa</b>	Numer katalogowy	Oświadczamy z pełną odpowiedzialnością, że niniejsze produkty odpowiadają wszystkim wymaganiom poniżej wyszczególnionych dyrektyw i rozporządzeń, oraz że są zgodne z następującymi normami. Dokumentacja techniczna: *
<b>cs</b>	<b>EU prohlášení o shodě</b> <b>Akumulátorový vrtací šroubovák</b>	Objednáací číslo	Prohlašujeme na výhradní zodpovědnost, že uvedený výrobek splňuje všechna příslušná ustanovení níže uvedených směrnic anarizení aje vsouladu snásledujícími normami: Technické podklady u: *
<b>sk</b>	<b>EÚ vyhlásenie o zhode</b> <b>Akumulátorový vŕtací skrutkovač</b>	Vecné číslo	Vyhlasujeme na výhradnú zodpovednosť, že uvedený výrobok spĺňa všetky príslušné ustanovenia nižšie uvedených smerníc anariadení aje vsúlade snásledujúcimi normami: Technické podklady má spoločnosť: *
<b>hu</b>	<b>EU konformitási nyilatkozat</b> <b>Akkumulátoros fűrés- és csavarozógép</b>	Cikkszám	Egyedüli felelősséggel kijelentjük, hogy a megnevezett termékek megfelelnek az alábbiakban felsorolásra kerülő irányelvek és rendeletek valamennyi idevágó előírásainak és megfelelnek a következő szabványoknak. Műszaki dokumentumok megőrzési pontja: *
<b>ru</b>	<b>Заявление о соответствии ЕС</b> <b>Дрель-шурупверт</b>	Товарный №	Мы заявляем под нашу единоличную ответственность, что названные продукты соответствуют всем действующим предписаниям нижеуказанных директив и распоряжений, а также нижеуказанных норм. Техническая документация хранится у: *
<b>uk</b>	<b>Заява про відповідність ЄС</b> <b>Акумуляторні й дріль-шурупверт</b>	Товарний номер	Мизаявляємо під нашу одноособову відповідальність, що названі вироби відповідають усім чинним положенням нищеозначених директив і розпоряджень, а також нищеозначеним нормам. Технічна документація зберігається у: *
<b>kk</b>	<b>ЕО сәйкестік мағлұмдамасы</b> <b>Акумуляторлық дрель-шуруп бұрауыш</b>	Өнім нөмірі	Өз жауапкершілікпен біз аталған өнімдер төменде жзылған директикалар мен жарлықтардың тиісті қағидаларына сәйкестігін және төмендегі нормаларға сай екенін білдіреміз. Техникалық құжаттар: *
<b>ro</b>	<b>Declarație de conformitate UE</b> <b>Mașină de găurit și înșurubat cu acumulator</b>	Număr de identificare	Declarăm pe proprie răspundere că produsele menționate corespund tuturor dispozițiilor relevante ale directivelor și reglementărilor enumerate în cele ce urmează și sunt în conformitate cu următoarele standarde. Documentație tehnică la: *
<b>bg</b>	<b>ЕС декларация за съответствие</b> <b>Акумуляторен винтоверт</b>	Каталожен номер	С пълна отговорност ние декларираме, че посочените продукти отговарят на всички валидни изисквания на директивите и разпоредбите по-долу и съответства на следните стандарти. Техническа документация при: *
<b>mk</b>	<b>EU-Изјава за сообразност</b> <b>Батериска дупчалка-одвртувач</b>	Број на дел/артикл	Со целосна одговорност изјавуваме, дека опишаните производи се во согласност со сите релевантни одредби на следните регулативи и прописи и се во согласност со следните норми. Техничка документација кај: *
<b>sr</b>	<b>EU-izjava o usaglašenosti</b> <b>Akumulatorska bušilica-odvrtač</b>	Broj predmeta	Na sopstvenu odgovornost izjavljujemo, da navedeni proizvodi odgovaraju svim dotičnim odredbama naknadno navedenih smernica u uredaba i da su u skladu sa sledećim standardima. Tehnička dokumentacija kod: *
<b>sl</b>	<b>Izjava o skladnosti EU</b> <b>Akumulatorski vrtalni vijačnik</b>	Številka artikla	Izjavljamo pod izključno odgovornostjo, da je omenjen izdelek v skladu z vsemi relevantnimi določili direktiv in uredb ter ustreza naslednjim standardom. Tehnična dokumentacija pri: *
<b>hr</b>	<b>EU izjava o sukladnosti</b> <b>Akumulatorska bušilica-izvijač</b>	Kataloški br.	Pod punom odgovornošću izjavljujemo da navedeni proizvodi odgovaraju svim relevantnim odredbama direktiva i propisima navedenima u nastavku i da su sukladni sa sljedećim normama. Tehnička dokumentacija se može dobiti kod: *



<b>et EL-vastavusdeklaratsioon</b>		Kinnitame ainuvastutajatena, et nimetatud tooted vastavad järgnevalt loetletud direktiivide ja määruste kõikidele asjaomastele nõuetele ja on kooskõlas järgmiste normidega. Tehnilised dokumendid saadaval: *	
<b>Akutrell-kruvikeeraja</b>	Tootenumber		
<b>lv Deklarācija par atbilstību ES standartiem</b>		Mēs ar pilnu atbildību paziņojam, ka šeit aplūkoti izstrādājumi atbilst visiem tālāk minētajās direktīvās un rīkojumos ietvertajām saistošajām nostādņēm, kā arī sekojošiem standartiem. Tehnisķā dokumentācija no: *	
<b>Akumulatora urbjmašina – skrūvgriezis</b>	Izstrādājuma numurs		
<b>It ES atitikties deklarācija</b>		Atsakingai pareišķiame, kad iŗvardyti gaminiai atitinka visus privalomus ųemiau nurodytų direktyvų ir reglamentų reikalavimus ir ųiuos standartus. Techninė dokumentācija saugoma: *	
<b>Akumulatorinis gręztuvassuktuvās</b>	Gaminio numeris		
<b>GSR 18V-50</b>	3 601 JH5 000 3 601 JH5 001	2006/42/EC 2014/30/EU 2011/65/EU	EN 62841-1:2015+A11:2022 EN 62841-2-1:2018+A11:2019 +A1:2022+A12:2022
<b>GSB 18V-50</b>	3 601 JH5 100 3 601 JH5 101		EN IEC 55014-1:2021 EN IEC 55014-2:2021 EN IEC 63000:2018
		 <b>BOSCH</b>	* Robert Bosch Power Tools GmbH (PT/ECS) 70538 Stuttgart GERMANY
		Thomas Donato Chairman of the Management Board	Helmut Heinzelmann Head of Product Certification
			
		Robert Bosch Power Tools GmbH, 70538 Stuttgart, GERMANY Stuttgart, 29.08.2024	